



PENCOflex

Precision. Power. Performance.

You want a trusted name when it comes to providing engineered power transmission products that improve productivity and efficiency. Rexnord provides superior products for your industrial applications world wide. We work closely with you to reduce maintenance costs, eliminate redundant inventories and prevent equipment downtime.

Applications include:

- ▶ conveyors
- ▶ industrial fans
- ▶ crushers
- ▶ compressors

PENCOflex

Close coupled elastomeric pin and bushing coupling providing economical high torque capacity. Available with brake drum and brake disc.



Ex III 2D 120C
(Size 355 and above)

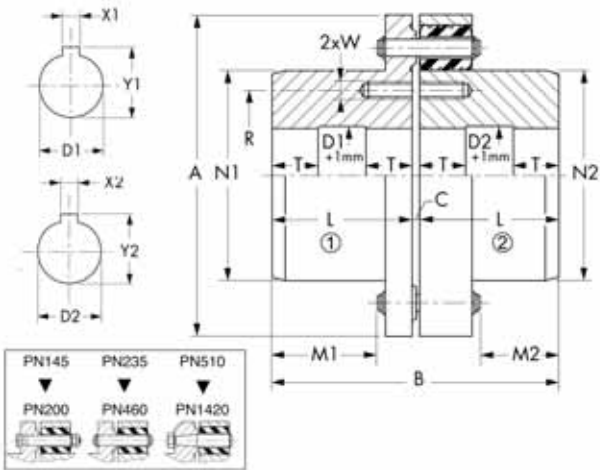
Rexnord PENCOflex

Features

- ▶ Loaded in compression
- ▶ Fail safe design
- ▶ No lubrication required

Benefits

- ▶ High torque
- ▶ Continued operation
- ▶ Maintenance free



Torque Demands Driven Machine	Typical Application for Electric Motor or Turbine Driven Equipment	Typical Service Factor
	Constant torque such as centrifugal pumps blowers and compressors	1.0
	Continuous duty with some torque variations including plastic extruders and forced draft fans	1.3
	Light shock loads from metal extruders, cooling towers and log haulers	1.5
	Moderate shock loading as expected from a car dumper, stone crusher, vibrating screen	2.0
	Heavy shock load with some negative torques from reciprocating pumps, compressors, reversing turnout tables	2.5
	Frequent torque reversals such as reciprocating compressors with frequent torque reversals which do not necessarily include reverse rotations	Consult Rexnord Engineering

A Size	Tn Nm	n-max min ⁻¹	D1/D2 min		D1 max		D2 max		B	C	L	M1	M2	N1		N2		T	R	W	J kgm ²	m kg
			S	L	S	L	S	L						S	L							
145	250	4 700	-	19	-	60	-	55	114	4	55	36	17	-	93	-	88	-	75	M8	0,016	8
155	400	4 400	-	19	-	65	-	60	124	4	60	41	22	-	100	-	95	-	80	M8	0,021	9
175	630	3 900	-	28	-	75	-	75	154	4	75	56	37	-	116	-	116	-	95	M10	0,04	14
200	1 000	3 400	-	35	-	85	-	80	184	4	90	71	52	-	132	-	127	-	105	M10	0,071	21
235	1 600	2 900	-	35	-	95	-	90	204	4	100	65	48	-	147	-	142	-	120	M12	0,175	34
245	2 500	2 800	-	35	-	110	-	100	224	4	110	75	58	-	170	-	160	-	135	M12	0,235	42
280	3 900	2 450	35	85	85	125	85	110	264	4	130	95	78	155	195	155	180	-	145	M12	0,34	50
315	6 100	2 200	45	100	100	140	100	125	304	4	150	115	98	180	217	180	202	-	165	M12	0,59	71
355	9 300	1 950	75	120	120	160	120	140	366	6	180	129	108	210	248	210	228	-	190	M16	1,33	119
385	14 000	1 800	85	130	130	180	130	160	406	6	200	149	128	230	280	230	256	-	220	M16	1,95	150
460	21 000	1 500	95	140	160	200	160	200	446	6	220	169	148	250	290	250	290	-	232	M20	3,65	210
510	31 000	1 350	110	160	180	220	180	220	487	7	240	162	144	280	320	280	320	80	260	M20	7,6	310
575	45 000	1 200	125	160	190	230	190	230	527	7	260	182	164	290	330	290	330	85	300	M24	11,8	385
670	65 000	1 000	140	180	210	260	210	260	587	7	290	212	194	325	365	325	365	95	320	M24	21,5	540
725	94 000	950	160	210	240	290	240	290	669	9	330	221	201	370	410	370	410	110	350	M24	41	810
850	140 000	800	180	230	260	320	260	320	729	9	360	251	231	405	455	405	455	120	390	M30	75	1 110
990	200 000	700	200	280	310	360	310	360	829	9	410	301	281	480	520	480	520	135	430	M30	141	1 640
1 060	285 000	650	230	320	350	400	350	400	911	11	450	298	275	540	580	540	580	150	470	M30	250	2 380
1 220	410 000	550	260	360	390	440	390	440	1011	11	500	348	325	600	640	600	640	165	515	M36	440	3 210
1 420	600 000	480	300	400	430	480	430	480	1131	11	560	408	385	665	705	665	705	185	560	M36	800	4 350



REXNORD NV, Belgium

Dellingstraat 55

2800 Mechelen

Phone: +32 / 70 22 33 66

Fax: +32 / 70 22 33 67

E-mail: Customerservice.Belgium@rexnord.com

www.rexnord.eu

Contact