

# Hansen P4

Standardized  
gear units

Réducteurs de  
vitesse standard

Normzahnrad-  
getriebe

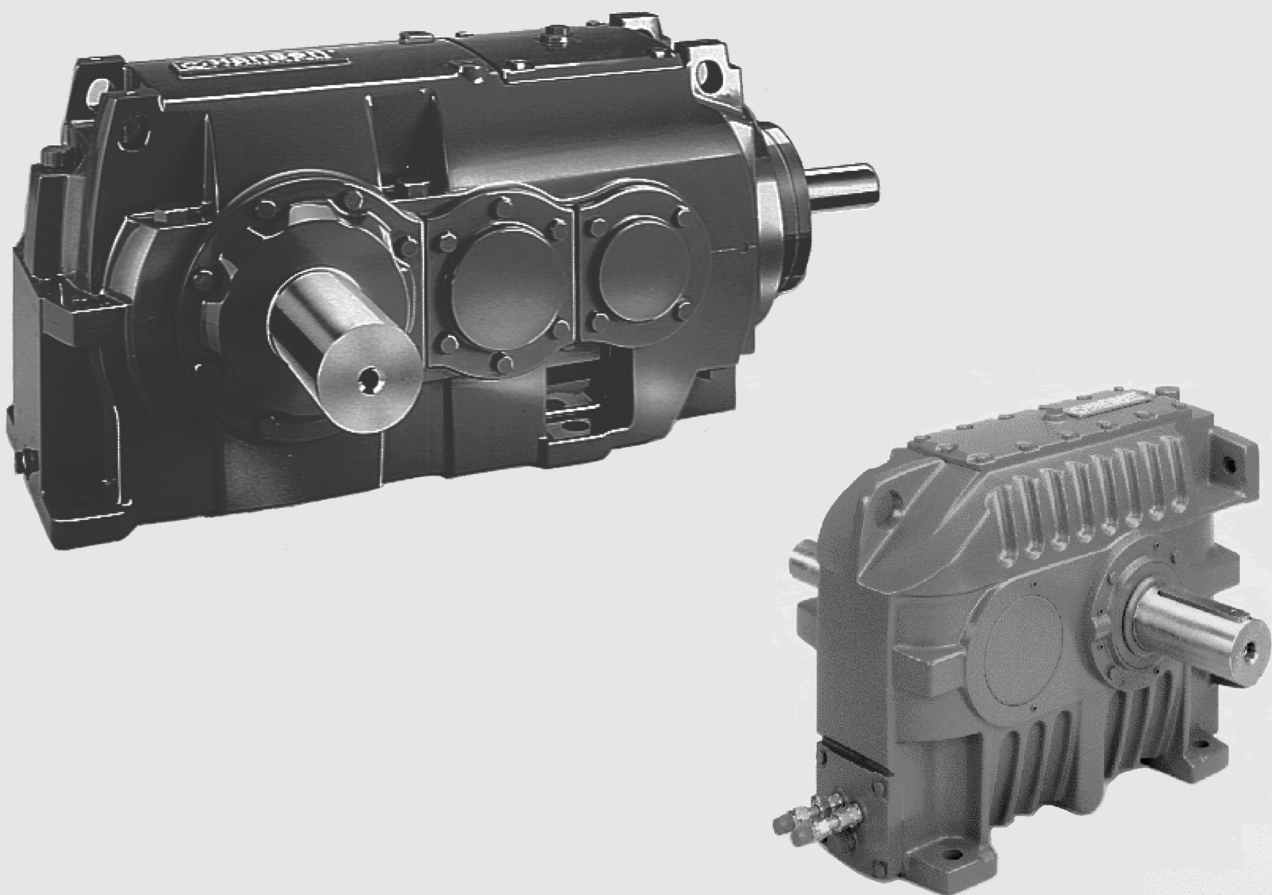
Standaard  
tandwielkasten

Service  
manual

Manuel  
d'entretien

Betriebs-  
anleitung

Bedrijfs-  
handboek



**SHIPPED  
WITHOUT  
OIL**



**LIVRE  
SANS  
HUILE**



**GELIEFERT  
OHNE  
ÖL**



**GELEVERD  
ZONDER  
OLIE**



**Completely  
new paragraph**

Changes to previous  
edition are indicated  
by a grey bar in the  
margin.



**Paragraphe  
complètement  
neuf**

Les modifications envers  
l'édition précédente sont  
marquées d'une barre  
grise dans la marge.



**Komplett neuer  
Abschnitt**

Änderungen gegenüber der  
letzten Edition sind mittels  
eines grauen Balkens in der  
Marge markiert.



**Volledig nieuw  
paragraaf**

Wijzigingen ten opzichte  
van voorgaande editie  
zijn met een grijze balk  
in de marge aangeduid.

 **Hansen**<sup>®</sup>  
TRANSMISSIONS



ENGLISH : see pages 4...13 - 44...48

 : DANGER

 : WARNING

 : MAINTENANCE

 : NEW INSTRUCTIONS

CONTENTS	Page
1 GENERAL	4
2 SHIPPING	4
3 STORAGE	5
4 HANDLING	5
5 INSTALLATION	6-7-8-9
6 LUBRICATION	9-10
7 COOLING	11
8 BACKSTOPS	11
9 STARTING-UP	11-12
10 MAINTENANCE	12
GREASE QUANTITY FOR BEARINGS	44-45
GREASE QUANTITY FOR LABYRINTH SEAL	46
LUBRICANTS	48

FRANCAIS : voir pages 14...23 - 44...48

 : DANGER

 : AVERTISSEMENT

 : ENTRETIEN

 : NOUVELLES INSTRUCTIONS

INDEX	Page
1 GENERALITES	14
2 LIVRAISON	14-15
3 ENTREPOSAGE	15
4 MANUTENTION	15
5 INSTALLATION	16-17-18-19
6 LUBRIFICATION	19-20-21
7 REFROIDISSEMENT	21
8 ANTIDEVIREURS	21
9 MISE EN MARCHÉ	21-22
10 ENTRETIEN	22-23
QUANTITE DE GRAISSE POUR ROULEMENTS	44-45
QUANTITE DE GRAISSE POUR GARNITURE A LABYRINTHE	46
LUBRIFIANTS	48

**WORLDWIDE TRANSMISSION SERVICE**

**ORGANISATION INTERNATIONALE DE VENTE**

**See:**

**Voir:**


**[www.hansentransmissions.com](http://www.hansentransmissions.com)**

Hansen Transmissions NV  
 Leonardo da Vincilaan 1- 3  
 BE-2650 Edegem  
 Belgium

Tel.: + 32 3 450 12 11  
 Fax: + 32 3 450 12 20  
 E-mail: [info@hansentransmissions.com](mailto:info@hansentransmissions.com)

Every care has been taken to ensure the accuracy of the information contained in this publication, but, due to a policy of continuous development and improvement the right is reserved to supply products which may differ slightly from those illustrated and described in this publication.  
 Please contact Hansen for information on any aspects of storage, installation, operating, lubrication and maintenance that need clarifying.

DEUTSCH : siehe Seiten 24...33 - 44...48

 : GEFAHR

 : ACHTUNG

 : WARTUNG

 : NEUE VORSCHRIFTEN

INHALTSVERZEICHNIS	Seite
1 ALLGEMEINES	24
2 LIEFERUNG	24-25
3 LAGERUNG	25
4 TRANSPORT	25
5 AUFSTELLUNG	26-27-28-29
6 SCHMIERUNG	29-30
7 KÜHLUNG	31
8 RÜCKLAUFSPERREN	31
9 INBETRIEBNAHME	31-32
10 WARTUNG	32-33
FETTMENGE FÜR LAGER	44-45
FETTMENGE FÜR LABYRINTHDICHTUNGEN	46
SCHMIERSTOFFE	48

NEDERLANDS : zie blz. 34...43 - 44...48

 : GEVAAR

 : OPGELET

 : ONDERHOUD

 : NIEUWE INSTRUCTIES

INHOUD	blz.
1 ALGEMEEN	34
2 LEVERING	34
3 OPSLAG	35
4 BEHANDELING	35
5 INSTALLATIE	36-37-38-39
6 SMERING	39-40-41
7 KOELING	41
8 TERUGLOOPBLOKKERING	41
9 INBEDRIJFSTELLING	42
10 ONDERHOUD	42-43
VETHOEVEELHEID VOOR LAGERS	44-45
VETHOEVEELHEID VOOR LABYRINTDICHTINGEN	46
SMEERMIDDELEN	48

## INTERNATIONALE VERKAUFSORGANISATION

**Siehe:**

**[www.hansentransmissions.com](http://www.hansentransmissions.com)**

Hansen Transmissions NV  
 Leonardo da Vincilaan 1- 3  
 BE-2650 Edegem  
 Belgium

Tel.: + 32 3 450 12 11  
 Fax: + 32 3 450 12 20  
 E-mail: [info@hansentransmissions.com](mailto:info@hansentransmissions.com)

## INTERNATIONALE VERKOOPSORGANISATIE

**Zie:**

Every care has been taken to ensure the accuracy of the information contained in this publication, but, due to a policy of continuous development and improvement the right is reserved to supply products which may differ slightly from those illustrated and described in this publication.  
 Please contact Hansen for information on any aspects of storage, installation, operating, lubrication and maintenance that need clarifying.

## SCOPE

This service manual contains the storage, installation, operating, lubrication and maintenance instructions relative to the **Hansen P4** standardized gear units.

Additional information can be obtained by contacting one of the HANSEN sales centres worldwide (p. 2-3)

**All handling, storage, installation, start-up, inspection and maintenance of the equipment shall be done by personnel qualified in matters of industrial mechanical and - where applicable - electrical equipment.**

## 1. GENERAL

### 1.1. GENERAL INSTRUCTIONS

Carefully read this manual before installing the gear unit.

Compliance with the instructions will assure long and troublefree operation of the gear unit.

The equipment should be checked against shipping papers and inspected for apparent damage sustained during transport. Any shortage, discrepancy or damage must immediately be reported to HANSEN.

#### 1.1.1. Warranty

The warranty clause of the "General Conditions of Sale" applies to gear units installed and maintained as per instructions contained in this manual and in any additional instruction leaflets supplied with the gear unit insofar as the gear unit operates within the service and rating conditions put forward in the "Order Acknowledgement" and on the certified drawings.

Non compliance with these instructions, injudicious choice of lubricant or a lack of maintenance will render warranty agreement invalid.

This warranty clause applies to all parts of the gear unit with the exception of these parts which are subject to wear.

#### 1.1.2. Safety

**It is not allowed to use the gear unit for other applications or in other operating conditions than the one for which it is ordered.**

**The user shall be responsible for the proper installation of the complete equipment and the supply of protection guards and other safety equipment in accordance with local safety regulations.**

Heaters, coolers, electrical alarms and other safety or monitoring devices supplied by HANSEN with the equipment must be installed and connected by the user as indicated on the relative document.

#### **Some seals in a gear unit can contain FKM<sup>1</sup> material (trade names e.g. Viton<sup>®</sup> 2 and Fluorel<sup>®</sup> 3).**

**If seals, made out of FKM material, have been exposed to high temperatures (e.g. in case of a fire or when a bearing very close to the seal has experienced massive damage), highly corrosive organic fluorides may have been generated and contact with the skin must be avoided at all time. Since it is not always clear whether the used material is in fact FKM, it is strongly recommended to handle every seal that has been exposed to high temperatures with extreme care and to take the necessary precautions (\*).**

1: FKM is short for Fluoroelastomer

2: Viton<sup>®</sup> is a registered trademark of Dupont-Dow

3: Fluorel<sup>®</sup> is a registered trademark of Dyneon (3M)

#### (\*) **Extraction from 'handling precautions for Viton<sup>®</sup> and related chemicals', technical information from Dupont-Dow. Precaution in the event of fire.**

Highly toxic products (\*\*) of combustion can be generated in a fire involving Viton<sup>®</sup>. Personnel fighting such a fire must wear facemasks and a self-contained breathing apparatus. All unprotected personnel must leave the area immediately. Anyone exposed to fumes from the fire should be moved to fresh air at once and treated by a physician.

Anyone handling residues of Viton polymer or parts of Viton that have been involved in a fire must wear Neoprene gloves to avoid skin contact with these possibly highly corrosive residues, which likely include hydrogen fluoride.

(Polyvinylchloride [PVC] gloves may be used if the temperature of the residue is below the melting point of the gloves.) Such residues should be decontaminated by washing in lime water (calcium hydroxide solution) and disposed of in the same manner as Viton<sup>®</sup> polymer. To dispose of Viton<sup>®</sup>, landfill is preferred. The disposal method must be conform to national, state and local regulations.

Burning of Viton<sup>®</sup> is not recommended, unless conducted by an approved, licensed incineration process. In this case, the gaseous products should be treated by alkaline scrubbing. The gloves must be discarded after use.

(\*\*) Combustion products of Vulcanizates of Viton<sup>®</sup>

Carbon Monoxide (CO)

Fluoroform (CHF<sub>3</sub>)

Carbon Dioxide (CO<sub>2</sub>)

Vinilidene Fluoride (H<sub>2</sub>CCF<sub>2</sub>)

Hydrogen Fluoride (HF)

Hexafluoropropylene (C<sub>3</sub>F<sub>6</sub>)

Carbonyl Fluoride (COF<sub>2</sub>)

Low molecular weight fluorocarbon fragments

### 1.2. GENERAL SPECIFICATIONS

For general specifications such as dimensions, weight, connecting diagrams, refer to certified drawing of the gear unit and/or to the Hansen P4 standardized gear unit catalogues.


### 1.3. IDENTIFICATION

Inquiries concerning a gear unit should always specify the unit's complete type code and manufacturing number, which can be found on the nameplate.

The nameplate, which is fitted on each gear unit, also contains ratings and/or torque, speed and lubrication instructions.

This information is essential to identify positively the unit supplied by HANSEN.

## 2. SHIPPING


 Prior to shipment each unit has been inspected and accepted by the QUALITY CONTROL DEPARTMENT according to order specifications, and after no load test of several hours in its normal operating position and at speed indicated on the nameplate.

### 2.1. SHIPPING CONDITIONS

Unless otherwise specified, gear units are shipped in unpacked condition and depending on necessity, fixed on wooden pallets with open crating protection. Sometimes parts, such as spare filter elements, are separately packed. In such events, the end-user must take care of the assembly (see chapter 5. INSTALLATION p. 6).

 **The HANSEN P4 gear unit is shipped without oil.**

All grease lubrication points are factory filled.

 **In case the gear unit, after arrival of the shipment from Hansen, has to be transported further, Hansen advises to avoid transport by train. If the gear units are to be transported by train anyhow, then the necessary precautions must be taken by the forwarder to avoid false Brinelling damage on gears and bearings.**

### 2.2. PAINTING

The standard external paint for HANSEN gear units is an epoxy primer with high solids content, corresponding to the German Standard RAL 5021, water blue.

This paint system offers a 5 year protection for indoor installation provided the gear unit is not subjected to humid or chemical aggressive atmospheric conditions.

Overcoating is possible with most paints based on alkyd-, epoxy or polyurethane resins.

### 2.3. PRESERVATION

The inner parts of the gear units are sprayed with rust preventing mineral oil. The breather plug (standard, dust-proof, anti-humidity) is neither removed nor sealed.

The shaft extensions are protected with a rust preventing grease and waxed paraffin paper. The hollow shafts and all unpainted machined surfaces are coated with an anti-oxidizing waxy varnish.

This standard system offers corrosion protection during transport and/or storage for up to one year indoors.

### 3. STORAGE

- Always store gear units in their originally supplied shipping conditions. Gear units should not be stored near vibrating machines in order to avoid damage to bearings.

#### 3.1. SHORT TERM STORAGE

##### INDOORS

Up to two years indoors in a dry and ventilated area.

##### OUTDOORS

Up to six months outdoors.

The gear unit must be filled with a small amount of mineral oil containing an volatile corrosion protective additive. All gear unit openings (dipstick, breather, heater) are hermetically sealed and must remain sealed during handling and transport.

#### 3.2. LONG TERM STORAGE

##### INDOORS

Up to five years indoors in a dry and ventilated area.

In case the units are stored for a period up to 5 years in a dry and ventilated area, the units have to be re-filled with a small amount of mineral oil containing a volatile corrosion protective additive after the second and the fourth year. The corrosion protection of the shaft extensions has to be checked - possibly corrected. At these occasions the high speed shaft must be turned until the low speed shaft has made 2 complete revolutions. After that the unit has to be hermetically sealed again.

##### OUTDOORS

- Up to 2 years outdoors, in an hermetically sealed envelope and enclosed in a seaworthy packing case.

##### NOTE

All gear units treated and packed for long term storage have the following sticker with caution and instructions.

##### CAUTION

This gear unit contains .... litres volatile corrosion inhibitor oil.

STORE ON SHIPPING POSITION AND KEEP HERMETICALLY CLOSE TO PREVENT VAPOURS OR OIL FROM ESCAPING TILL PUTTING INTO OPERATION

##### BEFORE PUTTING INTO OPERATION

- Replace the red plugs by the dipstick and breather (filter or plug).

- Drain the protective oil and fill the gear unit with the exact quantity of the prescribed gear oil (see also maintenance manual)

- It may in some cases be necessary to rinse the gear unit with the selected oil before starting up. Check with the oil supplier. See paragraph 6.5, page 10: The first oil filling. See chapter 9, page 11: Starting Up.

Handle any lubricant or oil with care and according to the handling and safety instructions to be supplied by the lubricant supplier on customer's request. These instructions have to be handed over to any personnel performing installation, maintenance or repair of the gear unit.


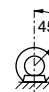

Do not open the gear unit near flames, sparks or hot objects and take preventive measures to protect people against the volatile corrosion protective substance.

### 4. HANDLING

The Hansen P4 gear units are easy to handle and to install. Make use of integral oval lifting eyes (horizontal mount) and lifting eye nuts or integral rods (vertical mount). For equal load sharing make use of all lifting eyes and use adequate tools.

- Make use of attached lifting eye nuts or mount appropriate lifting eye nuts in housing feet. Attached lifting eye nuts must not be removed. Eye nuts must be fully engaged before lifting. Never lift units with slings wrapped around the shafts or motor lantern.

#### Lifting eye nuts attached to the gear unit:

Max. Force on eye nut (kN)	M16	M20	M22	M24	M27	M30	M33
	7	12	15	18	26	36	36
	4	7	8,7	10	15	20	20
	3,5	6	7,6	9	13	18	18

#### Horizontal mount

- Single stage gear units (type QHP.1)

Use only the integral lifting eye and appropriate lifting eye nuts in housing feet

Gear unit size	C	D	E	F	G
Low speed shaft side	M22	M27	M27	M33	M33
High speed shaft side	Use only the integral lifting eye				

- Multi stage gear units (type QH...)

Use only integral oval lifting eyes

#### Vertical mount

- Two stages gear units (type QV..2)

Gear unit size	C	D	E	F	G	H
Low speed shaft side	M16	M16	M20	M24	Use only the	
High speed shaft side	M20	M24	M24	M30	integral rods	

- Three stages gear units (type QV..3)

Gear unit size	C	D	E	F	G	H
Low speed shaft side	M16	M16	M20	M24	M30	M30
High speed shaft side	M16	M20	M24	M24	M30	M30

- For gear units (type QV...), sizes J up to T

Use only the integral rods

- Particular circumstances might dictate the temporary removal of thermostat(s), pressure gauge(s) and/or part of the oil feed piping. After removal of the latter elements, one should take special care to avoid ingress of moisture, etc... into the lubrication system of subject gear unit(s).

## 5. INSTALLATION

### 5.1. FITTING OF ACCESSORIES

The metric shaft extensions are equipped with keyways according to DIN 6885 "Blatt 1 - Form N1 or N3".

Threaded centre holes in these shafts according to DIN 332 Teil 2 Form D.

Couplings should be mounted on the shafts with interference fit according to specifications. In case of doubt please refer to HANSEN.

Remove protection from shaft extensions and check keyfit and keyway height in component to be mounted onto shaft. Heating the component to 80-100°C (175-210°F) will be helpful. Threaded centre hole in shaft to assist in mounting components onto shaft may be used.

#### ⚠ Never mount components by impact as this may cause damage to the bearings.

Never use rigid couplings except on free end machine shafts (e.g. mixers, aerators) or in executions with a torque arm.

#### ⚠ 5.2. EXTERNAL LOADS

If external loads act on the gear unit, thrust blocks must be installed against the unit's feet, to prevent gear unit from shifting. Components transmitting radial load to the shaft should be mounted as close as possible to the housing.

Avoid exaggerated tension in transmission belts mounted on input or output shafts. On gear units with built-on motor and V-belt drive, tension has been factory set. Tension should be rechecked after 24 hours service. Chain transmissions must be mounted without preliminary tension.

In case a pinion is mounted on the shaft extension of the gear unit, care should be taken to have normal required backlash between pinion and gear and good contact pattern must be assured.

### 5.3. ERECTION

#### 5.3.1. Levelling

#### ⚠ Always mount gear unit in position for which it was ordered.

Before altering this position or inverting the unit, please consult HANSEN. It may be necessary to readapt the lubrication system.

#### ⚠ 5.3.2. Alignment

Align gear unit as accurately as possible with driving and driven machinery. Install gear unit level to better than 5 mm per 1 m (5/32 inch per 3 feet or 5mrad or 17 arc minutes) or within the limits indicated on the outline drawing for positions other than horizontal.

Maximum allowable misalignment depends on the couplings fitted on the shaft extension, please refer to data provided with coupling.

Use three fixation points of gear unit for alignment. Adjust other fixation points by shimming to 0,1 to 0,2 mm (0.004 to 0.008 inch), depending on the size of the gear unit.

### 5.4. SECURING OF SOLID SHAFT GEAR UNIT

#### ⚠ Gear unit must be mounted onto a rigid and stable bedplate or foundation in order to avoid vibrations and possible overload of the housing fixation pads. Use fixation holes indicated on dimensional drawing.

After correct alignment and shimming of all points, fix gear unit solidly onto its foundation with appropriate size bolts, grade 8.8 according to DIN 267 or SAE grade 5 for bolts 1 1/2" and smaller, ASTM.A-354 grade BC for bolts larger than 1 1/2", and grade 80 according to DIN 267 for stainless steel bolts. Dimensions and tightening torques: see table.

Note: for some horizontal executions with parallel shaft and fans, the protection hood of the fan must be removed (and remounted afterwards) to enable tightening of the bolts.

#### 5.4.1. Tightening torques for steel bolts grade 8.8

##### Horizontal mount

##### - Single stage gear units (type QHP.1)

Gear unit size	C	D	E	F	G
Bolt size Grade 8.8 ISO	M20	M24	M24	M30	M30
Tightening torque Nm	335	675	675	1350	1350
Bolt size Grade 5 UNC	3/4"	7/8"	1"	1 1/8"	1 1/4"
Tightening torque lbf.in	2950	4850	6000	10300	12000

##### - Multi stage gear units (type QH...)

Gear unit size	A	B	C	D	E-F	G-H-J-K	L-M	N-P-Q	R-S-T
Bolt size Grade 8.8 ISO	M16	M20	M24	M24	M30	M36	M42	M48	M56
Tightening torque Nm	180	335	675	675	1350	2350	3800	5700	9150
Bolt size Grade 5 / Grade BC UNC	5/8"	3/4"	7/8"	1"	1 1/4"	1 1/2"	1 3/4"	2"	2 1/4"
Tightening torque lbf.in	1550	2950	4850	6000	12000	21000	33650	50750	81050

##### Vertical mount

##### - Gear units (type QV...)

Gear unit size	A	B	C	D	E	F-G(1)	G(2)-H-J-K	L-M-N-P-Q	R-S-T
Bolt size Grade 8.8 ISO	M16	M20	M24	M30	M30	M36	M42	M48	M56
Tightening torque Nm	180	335	675	1350	1350	2350	3800	5700	9150
Bolt size Grade 5 / Grade BC UNC	5/8"	3/4"	1"	1 1/8"	1 1/4"	1 1/2"	1 3/4"	2"	2 1/4"
Tightening torque lbf.in	1550	2950	6000	10300	12000	21000	33650	50750	81050

(1) size G : 2-stage unit

(2) size G : 3- and 4-stage unit

#### 5.4.2. Tightening torques for stainless steel bolts grade 80

##### Horizontal mount

##### - Single stage gear units (type QHP.1)

Gear unit size	C	D	E	F	G
Bolt size Grade 80 ISO	M20	M24	M24	M30	M30
Tightening torque Nm	340	Upon request			
Bolt size Grade 5 UNC	3/4"	7/8"	1"	1 1/8"	1 1/4"
Tightening torque lbf.in	3000	Upon request			

##### - Multi stage gear units (type QH...)

Gear unit size	A	B	C	D	E-F	G-H-J-K	L-M	N-P-Q	R-S-T
Bolt size Grade 80 ISO	M16	M20	M24	M24	M30	M36	M42	M48	M56
Tightening torque Nm	185	340	Upon request						
Bolt size Grade 5 / Grade BC UNC	5/8"	3/4"	7/8"	1"	1 1/4"	1 1/2"	1 3/4"	2"	2 1/4"
Tightening torque lbf.in	1650	3000	Upon request						

##### Vertical mount

##### - Gear units (type QV...)

Gear unit size	A	B	C	D	E	F-G(1)	G(2)-H-J-K	L-M-N-P-Q	R-S-T
Bolt size Grade 80 ISO	M16	M20	M24	M30	M30	M36	M42	M48	M56
Tightening torque Nm	185	340	Upon request						
Bolt size Grade 5 / Grade BC UNC	5/8"	3/4"	1"	1 1/8"	1 1/4"	1 1/2"	1 3/4"	2"	2 1/4"
Tightening torque lbf.in	1650	3000	Upon request						

(1) size G : 2-stage unit

(2) size G : 3- and 4-stage unit

The alignment of the complete drive packages mounted on a bedplate have been carefully checked before shipment. It is nevertheless required to check that the bedplate has not been deformed during transport or installation. Therefore check again alignment of couplings or other elements after final installation.

**5.5 SECURING OF HOLLOW SHAFT GEAR UNITS**

**5.5.1. Hollow shaft gear unit with shrink disc connection**

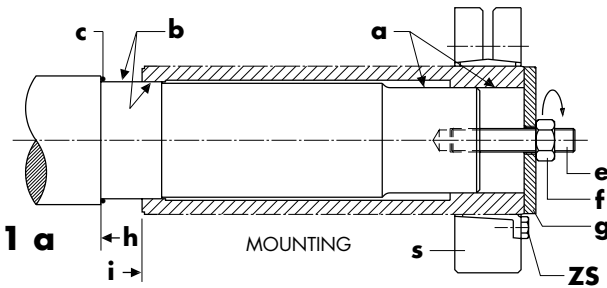
The HANSEN supplied shrink disc is ready to be installed.

Therefore do not dismantle shrink disc prior to first mounting.  
The HSD-type is used as standard (fig. 1c).  
Upon request the SD-type is possible (fig. 1d).

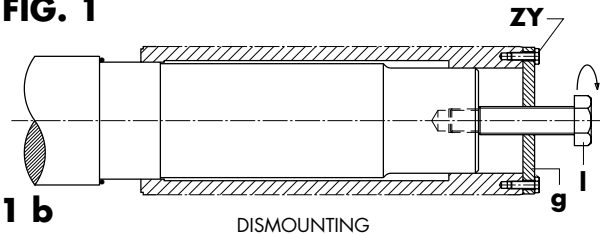
**Mounting** (fig. 1a)

- ❗ Clean and degrease contact surfaces (a) and (b)
- ❗ Smear surface (b) - **and not surface (a)** - with "Molykote D321R" or similar.
- After the applied coating has hardened, slide the O-ring (c) onto the shaft.
- Draw the gear unit onto the shaft of the machine using threaded rod (e), nut (f) and distance ring (g) until faces (h) and (i) make contact.
- Fit shrink disc (s). A locating groove on the shaft indicates the position of the shrink disc. Tighten bolts (ZS) with a torque wrench. The required tightening torque for the HSD-type is shown in table 1. For the SD-type it can be found on the dimensional drawing.

❗ **NOTE : Never tighten bolts when shrink disc is unmounted.**



**FIG. 1**



**HSD type** (fig. 1c)

The tightening torques (TA) are indicated in table 1 and on the name plate. Tightening bolts are prestressed to the right level when outer ring (o) and inner ring (n) are flush (optical check).

**SD type** (fig. 1d)

The tightening torques are indicated on the name plate (p) and on the dimensional drawing. Remove spacers, attached for shipping, from between outer rings (o). When mounting and during tightening make sure that outer faces remain parallel.

**HSD + SD type**

Tighten bolts (ZS) in indicated sequence (q) one by one, progressively over several rounds, until required tightening torque (TA) is reached.

- ❗ Do not tighten bolts crosswise.
- Mount protection hood.

**Securing in case of axial load**

If the axial load is not absorbed by the shoulder of the machine shaft, a distance ring (g) must be included (see fig. 2b, page 8).

**Dismounting** (fig. 1b)

- Loosen all tightening bolts (ZS) (fig. 1c/1d) uniformly, one by one in a continuous sequence, about a quarter of a turn per round.
- Should outer and inner ring of the HSD-type not release themselves, one can remove some tightening bolts and install them in tapped holes (r) (fig. 1c), in the inner ring, to trigger separation of both rings.
- Remove shrink disc from hollow shaft.

- Mount the distance ring (g) on the hollow shaft by means of bolts (ZY) (dimensions of ZY: see dimension drawing).
- Place the disassembly bolt (l) into the central hole in the distance ring (g).
- Remove the gear unit from the shaft by tightening the disassembly bolt (l).

**Note**

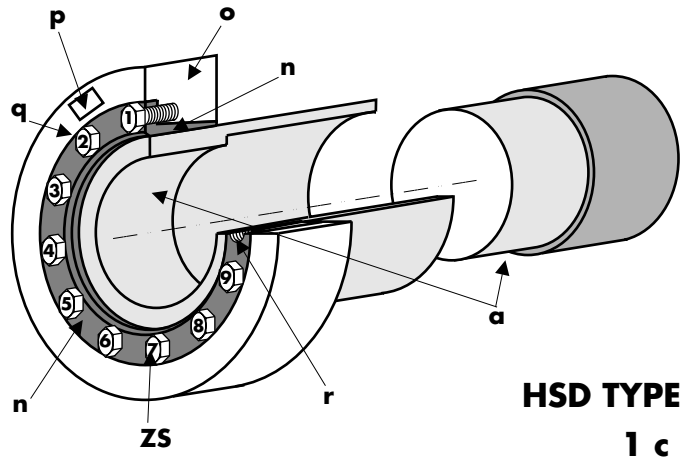
The parts e,f,g,l and ZY are not included as standard. They can be supplied upon special request.  
For technical data, refer to catalogue or certified drawing.

**Cleaning and greasing**

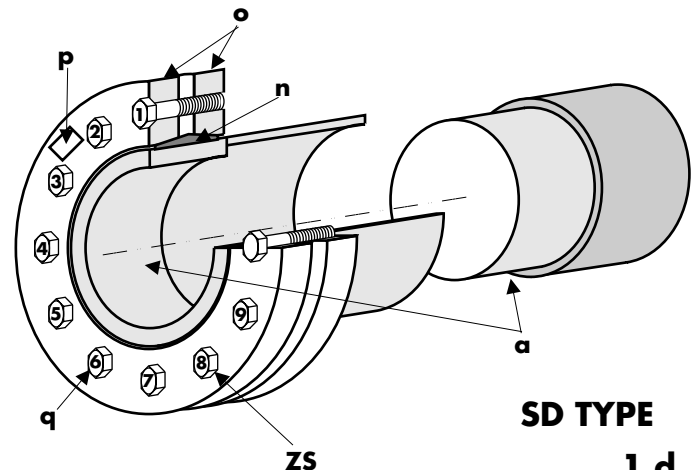
Dismounted shrink discs do not have to be taken apart for cleaning and regreasing prior to reinstallation, unless they have been used in a very dirty environment.  
After cleaning, recoat the tapered surfaces using a solid lubricant with a friction coefficient of 0,04, e.g. Molykote D321R or similar.

Table 1: **for HSD type only**

Shrink discs	TA Nm	TA lbf.in
HSD 110-81x110	121	1070
HSD 125-81x125	121	1070
HSD 140-81x140	193	1700
HSD 165-81x165	295	2600
HSD 185-81x185	295	2600
HSD 220-81x220	570	5000
HSD 240-81x240	570	5000
HSD 260-81x260	570	5000
HSD 280-81x280	570	5000
HSD 320-81x320	980	8600
HSD 340-81x340	980	8600
HSD 360-81x360	980	8600
HSD 390-81x390	1450	12800
HSD 420-81x420	1450	12800
HSD 440-81x440	1450	12800
HSD 480-81x480	1450	12800
HSD 500-81x500	1970	17400
HSD 530-81x530	1970	17400



**HSD TYPE**  
**1 c**



**SD TYPE**  
**1 d**

**5.5.2. Hollow shaft gear unit with keyway connection**

**! Mounting** (fig. 2a)

- Coat mating faces (b) of the machine shaft with mounting compound.
- Slide the O-ring (c) onto the machine shaft.
- Place supplied mounting key (d) into keyway of machine shaft, with the boss against the shaft face.
- Place the gear unit into position on the machine shaft. Make sure that the keyways are correctly positioned.
- Press the gear unit on the shaft, using a threaded rod (e), a nut (f), and a distance ring (g) until the mounting key (d) and the distance ring (g) make contact.
- Remove the nut (f), the distance ring (g) and the mounting key (d).
- Ensure that key (m) (fig. 2b) has sufficient clearance on top.
- Fit the key (m) into the shaft ( $\neq$  mounting key).
- Remount the distance ring (g) and the nut (f).
- Draw the gear unit further onto the shaft until the faces (h) and (i) make contact.
- Remove the nut (f), the distance ring (g) and the threaded rod (e).

**Securing** (fig. 2b)

- Mount the distance ring (g) again on the machine shaft using correct fixation bolts (j).
- Install the protection cover (k).

**n** In case of external axial loads on the shaft, please refer to specific instructions on the outline drawing.

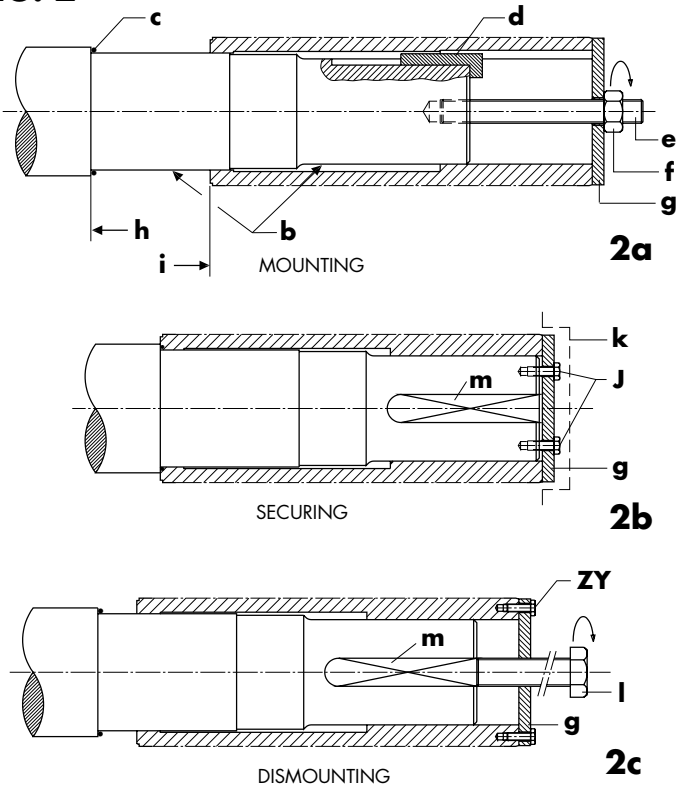
**Dismounting** (fig. 2c)

- Remove the protection cover (k) (fig. 2b) and the fixation bolts (j) (fig. 2b).
- Mount the distance ring (g) on the hollow shaft by means of bolts (ZY) (dimensions of ZY: see dimensional drawing).
- Place the disassembly bolt (l) into the central hole in the distance ring (g).
- Remove the gear unit from the shaft by tightening the disassembly bolt (l).

**Note**

The parts e,f,l and ZY are not included as standard, but can be supplied upon special request.  
For technical data, refer to catalogue or certified drawing.

**FIG. 2**



**5.5.3. Mounting of the torque arm**

After fitting and securing the gear unit to the driven shaft (see par.5.5.1 or 5.5.2), fix unit by means of the optionally supplied torque arm to a fixed torque reaction point. Refer to the certified drawing or catalogue for torque arm location on gear unit.

**!** The connection between torque arm and reaction point must remain flexible and resilient. This is achieved by preloading the disc springs of the torque arm.

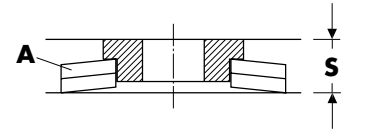
The preload of the disc springs (A) will be adjusted as follows:

- Determine the spacing S (fig. 3a), this is the spacing of the disk springs in unloaded and unmounted condition.

- Screw the nuts until spacing S1 (spacing between gear unit and fixed point) is reached, where  $S1 = S - \Delta S$  (fig. 3b, 3c, 3d)

$\Delta S$  = spacing obtained after compression of the disk springs (table 2, 3 and 4) due to the weight of the gear unit and tightening of the nuts.

- When the prescribed spacing S1 is obtained, lock the nuts by tightening outer nut against inner nut.



**FIG. 3**

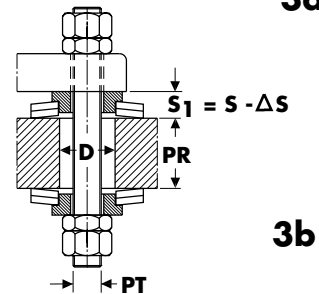


Table 2

Gear unit size	D ±5	PT	PR max		ΔS		A	
			mm	inch	mm	inch	Q*	DIN 2093
<b>QH.A2</b>	35	M16	40	1.57	0,7	0.028	2 x 2	A 80
<b>QH.B2</b>	35	M20	50	1.97	0,7	0.028	2 x 2	A 80
<b>QH.C2</b>	45	M24	60	2.36	0,9	0.035	2 x 2	A 100
<b>QH.D2</b>	45	M24	60	2.36	0,9	0.035	2 x 3	A 100
<b>QH.E2</b>	60	M30	75	2.95	1,0	0.039	2 x 3	A 125
<b>QH.F2</b>	60	M30	75	2.95	1,0	0.039	2 x 3	A 125
<b>QH.G2</b>	60	M36	90	3.54	1,0	0.039	2 x 4	A 125
<b>QH.H2</b>	60	M36	90	3.54	1,0	0.039	2 x 4	A 125

Q\*: number of disc springs

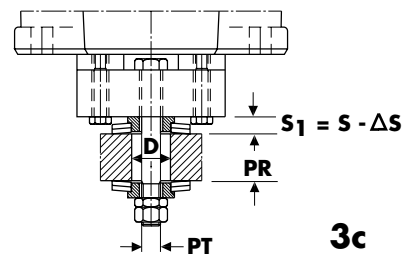


Table 3

Gear unit size	D ±5	PT	PR max		ΔS		A	
			mm	inch	mm	inch	Q*	DIN 2093
<b>QH.C3</b>	35	M20	50	1.97	0,7	0.028	2 x 3	A 80
<b>QH.D3 - QH.D4</b>	45	M24	60	2.36	0,9	0.035	2 x 2	A 100
<b>QH.E3 - QH.E4</b>	45	M24	60	2.36	0,9	0.035	2 x 3	A 100
<b>QH.F3 - QH.F4</b>	60	M30	75	2.95	1,0	0.039	2 x 2	A 125
<b>QH.G3 - QH.G4</b>	60	M36	90	3.54	1,0	0.039	2 x 3	A 125
<b>QH.H3 - QH.H4</b>	60	M36	90	3.54	1,0	0.039	2 x 3	A 125

Q\*: number of disc springs

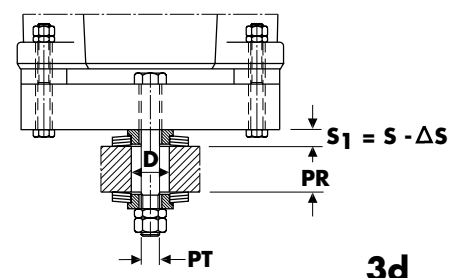




Table 4

Gear unit size	D ±5	PT	PR max		ΔS		A	
			mm	inch	mm	inch	Q*	DIN 2093
<b>QH.J3 - QH.J4</b>	80	M42	105	4.1	1,4	0.055	2 x 3	A 160
<b>QH.K3 - QH.K4</b>	80	M42	105	4.1	1,4	0.055	2 x 3	A 160
<b>QH.L3 - QH.L4</b>	80	M48	120	4.7	1,4	0.055	2 x 4	A 160
<b>QH.M3 - QH.M4</b>	80	M48	120	4.7	1,4	0.055	2 x 4	A 160

Q\*: number of disc springs

## 5.6. LUBRICATION AFTER INSTALLATION

**!** After levelling, alignment and securing, the gear unit must be lubricated. All instructions mentioned in chapter 6 "Lubrication" must be followed up.

**n** If a long period of standstill is expected before starting up the gear unit, the instructions mentioned in paragraph 10.6 "EXTENDED PERIODES OF STANDSTILL" must be followed up.

## 6. LUBRICATION

Lubrication serves four main functions :

- prevents metal to metal contact in gears and bearings
- reduces friction losses
- dissipates the generated heat from gears and bearings
- prevents corrosion

Different lubrication systems can be used, depending on

- gear velocity
- gear unit mounting position
- operating conditions

HANSEN gear units use one of following systems :

- splash lubrication
- forced feed lubrication: - circulation lubrication
- pressure lubrication

These systems can be completed with auxiliary cooling in different forms (see COOLING).

### 6.1. SPLASH LUBRICATION

Splash lubrication is standard with horizontal shaft gear units and for speeds between 750 and 1800 min<sup>-1</sup> at the high speed shaft. All gears and output shaft bearings are lubricated by immersion in the oil bath. Oil splash from gears fill oil pockets in the housing, assuring gravity circulation lubrication of the bearings via channels in housing and covers.

For other speeds at the high speed shaft, refer to HANSEN.

### 6.2. FORCED FEED LUBRICATION

All rotating elements above oil bath level are lubricated by a gear pump forcing the oil through pressure lines.

Pumps can be either of the integral type, driven by one of the gear unit shafts, or a motorpump. The integral type pumps are always provided with a built-in reversing device for operation in both directions.

In case of motorpumps the direction of rotation is always indicated.

Built-on pumps reach their normal operating capacity already after a few seconds.

**!** Motorpumps should be switched on at least one minute before starting the gear unit.

#### 6.2.1. Circulation lubrication

- With integral pump (fig.4).

The circulation lubrication system consists of

- a pump P
- a filter F with bypass (standard from gear unit size G onwards)
- a flow switch Mf (standard from gear unit size G onwards)

**!** Flow switch must be wired in a circuit to automatically stop the main drive motor when oil flow drops below alarm setting.

**!** However, in order to avoid unwanted alarms during the start-up period or due to irregularities of the oil flow, we recommend retarding the alarm signal; the alarm should be triggered only after the oil flow has been interrupted for a continuous period of 5 to 10 seconds.

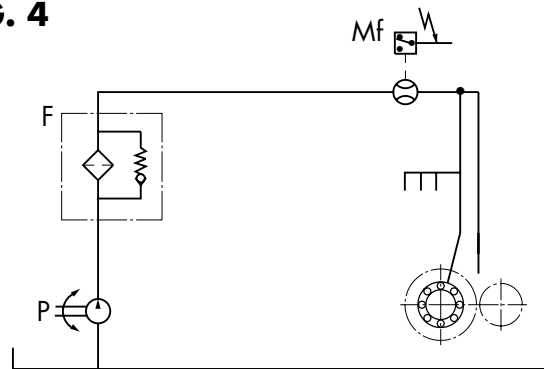
- With motorpump

The service manual of the lubrication and cooling system gives detailed information about the circulation lubrication system with motorpump.

#### 6.2.2. Pressure lubrication

The service manual of the lubrication and cooling system gives detailed information about the pressure lubrication system.

FIG. 4



#### 6.2.3. Instrumentation and settings

For detailed information on lubrication system, instrumentation and settings, refer to the certified drawing, the service manual of the lubrication and cooling system and/or separate leaflets on instrumentation, supplied with this manual.

**!** Settings stated on the certified drawing have been set during testrun by HANSEN and should not be altered without written authorisation.

Presettings, if stated, are recommended values set by HANSEN, but may be altered according to local conditions.

### 6.3. OIL SELECTION

Unless indicated otherwise on the gear unit's name plate (\*) or in the special technical manual of the specific gear unit (if existing), the oil must be selected from the table at page 48 of this service manual, listing mineral oils and greases recommended by their respective brand name owners.

(\*): e.g. if synthetic oil is prescribed.

**!** Always use oil of the viscosity characteristics corresponding to those given on gear unit's nameplate.

The viscosity has been selected according to operating conditions specified in the order acknowledgement.

For conversion from ISO viscosity class VG to other viscosity units see table of corresponding lubricants p. 48.

The oil suppliers are responsible for the selection and composition of their products.

**Synthetic oils may be used only after written authorisation from the HANSEN Engineering Department.**

**In that event, only synthetic oils specified by Hansen with brand and product name may be used. These synthetic oils shall be of the polyalpha-olefine type (SHF-type, Synthetic Hydrocarbon Fluid).**

To improve the steadiness of the bearing life span, it is highly recommended to use oil that has an initial oil cleanliness of -/15/12 (or better) according to ISO 4406.

Refer to the oil supplier to obtain this oil quality.

**Handle any lubricant or oil with care and according to the handling and safety instructions to be supplied by the lubricant supplier on customer's request. These instructions have to be handed over to any personnel performing installation, maintenance or repair of the gear unit.**

**!** 6.4. OIL QUANTITY (see fig. 5, page 10)

**M** The oil level is determined by min. and max. markings on the dipstick.

Possible other oil level markings are only indicative.

An oil sight glass or an oil level switch is optionally available.

**THREADED DIPSTICKS SHOULD BE CHECKED IN PLUGGED POSITION.**

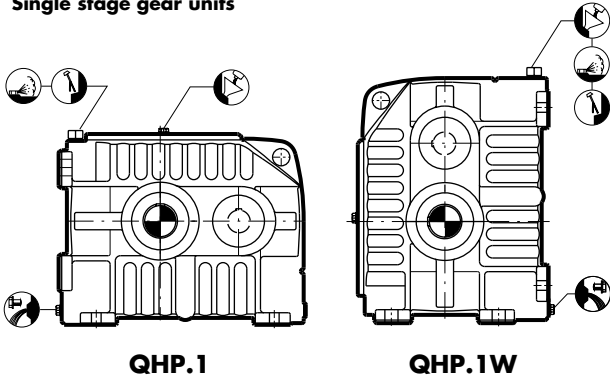
**The oil level must be checked when the gear unit is not running.**

**On systems with filters and coolers, oil level must be checked with lubrication and cooling system filled with oil and after short test run.**

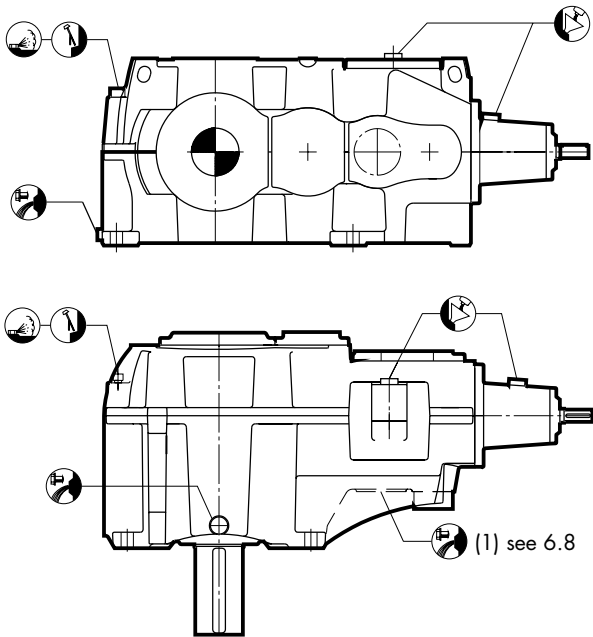
The lubrication and cooling system, including the cooler, is automatically utilized when the oil bath temperature rises above 60°C (140°F).  
If oil filling is required to take place earlier, the air must be released from the cooler whilst the pump is in operation.  
The oil quantity mentioned on the nameplate of the gear unit is an approximate value given only for procurement purposes.

**FIG. 5**

**- Single stage gear units**



**- Multi stage gear units**



Type and position of the stickers : refer to certified drawing and gear unit



Dipstick



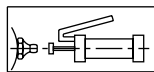
Oil draining



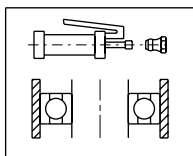
Oil filling



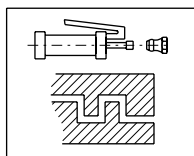
Ventilation



Grease lubrication points



Grease lubrication point for bearings



Grease lubrication point for labyrinth seal

**M 6.5. THE FIRST OIL FILLING** (see fig. 5)

Fill units only after final installation, especially gear units with vertical downwards shafts, to prevent oil splashing over drywell during handling.

**Fill the gear unit exclusively through the oil filling opening which is provided in the inspection cover for that purpose. In that way, all bearings are lubricated with fresh oil.**

**Note :**

**- Additional oil filling of the bearing housing. 4-stage horizontal gear units with right angle shafts (QHR.4) and 3- and 4-stage vertical gear units with right angle shafts (QVR.3 + QVR.4) require on initial oil filling also an additional oil filling of the bearing housing.**

**See special sticker on gear unit.**

**The additional oil quantity is mentioned on the certified drawing and on the sticker.**

**- Oil filling of a gear unit with M1 or M3 motor base.**

Units with horizontal shafts (QH ..) equipped with a motorbase M1 and M3 must be filled on initial filling with a small quantity of oil through the inspection cover located in the top face of the gear unit (see special sticker on gear unit).

If easy access to the oil filler plug is prevented through lack of space between the motor base and the gear unit upper face, the motor base should be raised following removal of the belt.

For gear units with M1 motor base the normal oil filling plug is located at the side of the output shaft, opposite the side where the dipstick is located.

For gear units with M3 motor base the normal oil filling plug is located at the side of the dipstick.

If the gear unit is filled with storage oil, it has to be drained and it may in some instances be necessary to rinse the gear unit with the selected oil before starting up. Check with the oil supplier.

To improve the steadiness of the bearing life span, it is highly recommended to use oil that has an initial oil cleanliness of -/15/12 (or better) according to ISO 4406.

Refer to the oil supplier to obtain this oil quality.

**M 6.6. GREASE SELECTION** (see table page 48)

If the gear unit is equipped with parts that need grease lubrication, and unless indicated otherwise on the gear unit's name plate or in the special technical manual of the specific gear unit (if existing), the grease must be selected from the table at page 48 of this service manual, listing mineral oils and greases recommended by their respective brand name owners.

**M** Use only high quality greases with consistency NLGI-Grade 3. Greases with consistency NLGI-Grade 2 may be used for regreasable labyrinth type seals and grease lubricated lower bearing of the low speed shaft.

The lubricant suppliers are responsible for the selection and composition of their products.

**M 6.7. GREASE LUBRICATION POINTS** (see fig. 5)

All greasing points for bearings which are not oil lubricated and for labyrinth seals are equipped with nipples according to DIN 71412 and have been filled before shipment.

The total number of nipples is indicated on the nameplate.

Some built-on backstops are grease lubricated.

For detailed information refer to appropriate leaflet supplied with this manual.

**M 6.8. OIL DRAINING** (see fig. 5)

**! Drain the oil while unit is still warm. Be careful while draining the hot oil, use an appropriate hot oil recipient.**

To facilitate oil draining, remove dipstick. Drain units having a large oil volume through drain plug. Use portable pump. With some executions a small quantity of oil remains beneath the high speed bearings. This oil can be drained by means of a second drain plug (1).

**M 6.9. VENTILATION** (see fig. 5)

To prevent pressure build-up, the gear unit is provided with a breather which is integrated in the dipstick or with a separate breather.

**Take care and check regularly that this breather does not become clogged.**

For some applications, the dipstick with breather hole is replaced by one without breather hole in combination with an anti-dust or anti-humidity breather.

## 7. COOLING

Heat generated in the gear unit due to friction and churning of the oil, must be dissipated through the housing into the environment.

**M** It is important not to decrease the heat dissipation capacity of the housing. Regularly clean the surface of the housing.

### 7.1. SEPARATE AIR COOLING

#### 7.1.1. Fans

One or two fans may be mounted on gear unit shafts.

**!** **Warning**  
**Do not run the gear unit without appropriate protection covers**

**M** **Check regularly that the air inlet and the air outlet are not obstructed.**

Fans need no special maintenance, except occasional cleaning.

#### 7.1.2. Air-oil coolers

The service manual of the lubrication and cooling system gives detailed information about the air-oil cooler.

### 7.2. SEPARATE WATER COOLING

All water cooling systems must be connected to a non-calcareous water supply. See also service manual on lubrication and cooling system and/or technical leaflets on specific instrumentation. The use of seawater must be specified with the order; coolers suited for use of seawater are available.

**!** When unit is not operating and freezing temperatures may occur, water must be drained from cooling system. Drain facilities have to be provided by end user.

Unless otherwise stipulated, the water flow indicated on the dimensional drawing is the required rate for water at 20°C (70°F).

According to load, ambient temperature and the water temperature a lower rate will suffice. Adjust waterflow to obtain an oil working temperature between 60 and 80°C (140 and 180°F).

#### 7.2.1. Oil-to-water coolers

Refer to certified drawing for connection of the oil-to-water cooler to the coolant.

The service manual of the lubrication and cooling system gives detailed information about the water-oil coolers.

#### 7.2.2. Cooling coils

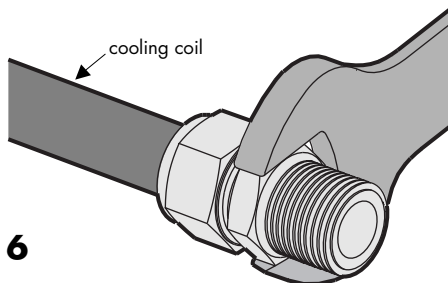
Direction of waterflow is optional.

The cooling coils are suited for fresh as well as for seawater.

Maximum allowable water pressure : 0,8 MPa (8 bar, 116 psi).

#### Connection of cooling coil to water supply.

**!** **Warning:** In order to avoid torsioning of cooling coil, hold premounted connection with suitable wrench as shown in fig. 6 below.



**FIG. 6**

## 8. BACKSTOPS

**!** Backstops are wearing parts and must be inspected or replaced at intervals depending on operating conditions. The customer must take all necessary precautions to prevent that failure of the backstop could cause physical injury and/or severe damage to the drive and/or application.

The time span between two inspections depends on the operating conditions and the braking frequency, but should never exceed two years.

In case the backstop is part of a hoist drive which is subject to a periodical safety inspection, the control of the backstop must be included in the inspection procedure.

**!** In case of transport of people: the user has to follow local legislation re. inspection of safety devices.

An inspection or replacement of the backstop is also required in the following circumstances :

- In case of disassembly of the gear unit or one of its components
- In the event that abnormal wear or material break-out of gears, bearings or any other component or pollution of the oil has been detected in the gear unit, since this may have affected the condition of the sprags and raceways of the backstop.

The outcome of the periodical inspection is to be reported in a log book.

**!** **Never loosen any part of the backstop while the gear unit is loaded: loosening the backstop may cause reversal of the drive and running back of the load. Prior to loosening the backstop remove the load and secure the drive against unintentional movement.**

### 8.1. STANDARD BACKSTOP INTEGRATED IN THE GEAR UNIT

These backstops are lubricated by the oil bath of the gear unit and require, apart from the regular inspections indicated above, no further maintenance.

### 8.2. EXTERNALLY FITTED BACKSTOP

In case the gear unit is equipped with an externally fitted backstop, please refer to the corresponding additional Service Manual for maintenance and inspection. The above instructions for inspection remain valid.

**!** **Alteration of the direction of rotation of a backstop may only be carried out by authorised personnel and according to the instructions shown in the relevant instruction leaflet.**

## 9. STARTING-UP

### 9.1. ALL GEAR UNITS

**Before starting-up, check oil level with dipstick and make sure that all points are lubricated.**

Although all greasing points have been greased before delivery, it is advisable to give a few shots with a grease gun before starting-up.

Check all fixation points between gear unit and foundation. They may require retightening after some running time.

The alignment of the complete drive packages mounted on a bedplate has been carefully checked before shipment. It is nevertheless required to check that the bedplate has not been deformed during transport or installation. Therefore check again alignment of couplings or other elements after final installation.

Make sure that protection hoods and air guiding plates, if any, in case of fan cooling are properly fitted.

Gear units may rotate in both directions except when direction of rotation is indicated.

### 9.2. GEAR UNITS EQUIPPED WITH A BACKSTOP

**!** **The customer has to take the necessary precautions to check and guarantee the good functioning of the backstop.**

**!** **On gear units equipped with a backstop, check whether direction of motor rotation corresponds to backstop freewheeling direction, before coupling motor to unit.**

In case of complete drives, the direction of rotation of the motor has to be checked by means of a phase meter.

**Rotation of gear unit in reverse direction, even momentarily, may damage the backstop, and consequently is not allowed.**

Units equipped with heaters must not be started before oil temperature is above 5°C (40°F). Heaters have to be disconnected automatically when oil temperature is above 15°C (60°F).

Temperature of oilbath will rise with increased load. Continuous operating temperature of 80 to 85°C ( 175 to 185°F) is allowable for a standard gear unit filled with mineral oil.

Occasional operating temperatures of up to 95°C (200°F) are acceptable.

### 9.3. GEAR UNITS WITH FORCED FEED LUBRICATION

For the different parts of the lubrication system, refer to service manual of the lubrication and cooling equipment and/or the technical leaflets concerning the specific components.

### 9.4. GEAR UNIT DRIVEN BY A TWO SPEED MOTOR

When switching from the higher to the lower speed, first decelerate so that the motor must accelerate when switched on at the lower speed. In this way high synchronisation peak torques can be avoided.

## **M** 10. MAINTENANCE

Maintenance operations are limited to check oil level, to regular oil change, to regrease the lubrication points and filter cleaning.  
 Oil quantity : see paragraph 6.4, page 9.  
 Oil draining : see paragraph 6.8, page 10.

Read also **M** points in the other paragraphs.

### 10.1. INSPECTION AND MAINTENANCE

**Rotating parts may cause harm and damage. For inspection and maintenance always de-energize the drive and make sure that the gear unit and the drive are externally secured against unintentional switch-on or movement.**

## **M** 10.2. OIL CHANGE AND REGREASING THE LUBRICATION POINTS

#### 10.2.1 GENERAL DIRECTIVES

**Handle any lubricant or oil with care and according to the handling and safety instructions to be supplied by the lubricant supplier on customer's request. These instructions have to be handed over to any personnel performing installation, maintenance or repair of the gear unit.**

Use clean oil from clean drums. Avoid any penetration of abrasive particles and water. The water content should be no higher than 0.05% (derived following titration method accepted by the oil manufacturer).

To improve the steadiness of the bearing life span, it is highly recommended to use oil that has an initial oil cleanliness of -/15/12 (or better) according to ISO 4406.

Refer to the oil supplier to obtain this oil quality.

**It is recommended to exchange the oil before summertime, hence running with new fresh oil in the most critical period when thermal load is higher.**

**If the gear unit is provided with a heater, disconnect the heater from the electric supply before draining the oil.**

Drain the oil while unit is still warm. Be careful while draining the hot oil, use an appropriate hot oil recipient.

Every time the lubricant is renewed, it is recommended to flush the gear unit and the corresponding lubrication and cooling system with the new oil. Drain the used flushing oil. Check to make sure that the lubrication and cooling system items are well drained.

Don't forget to renew the filter cartridge.

Operating procedure and specifications are mentioned in the service manual of the lubrication and cooling equipment and / or the technical leaflets for the specific instrumentation.

Steel mesh filter cartridge may be used again after thorough cleaning in a solvent, disposable filters can not be cleaned.

**External dipsticks and sight glasses should be periodically checked against the gear unit dipstick.**

#### 10.2.2 OIL CHANGE AND REGREASING

##### The first oil change

After 100 hours and not later than 800 hours of service:

- First regrease the lubrication points, if present (see paragraph 10.4).  
The lubrication points have to be regreased while the gear unit is warm.
- Change the oil. Use new oil or use the removed oil after filtering.  
Filter the removed oil volume at least 10 times with a 10 µm filter or smaller. The filter must be compatible with the used oil. Don't use the filter of the lubrication system.
- After filtering the oil, renew the filter cartridge of the lubrication system of the gear unit.

##### Filter (if present)

Renew the filter cartridge after every 800 hours of operation unless the filter has a contamination indicator. Before renewing the filter cartridge, run the gear unit a while after regreasing if this applies.

##### Grease lubrication (if lubrication points are present)

**Bearings:** regrease all lubrication points after every 800 hours of operation (see paragraph 10.4).

**Labyrinth seals:** regrease all lubrication points after every 3000 hours of operation (see paragraph 10.4).

##### Subsequent oil changes

After 4000 to 8000 hours or max. 18 months of operation depending on working conditions:

- first regrease the lubrication points (if present) while the gear unit is warm (see paragraph 10.4).
- renew the oil. Use clean oil from clean drums. Avoid any penetration of abrasive particles and water.
- renew the filter cartridge, if present.

## **M** 10.3. OIL SAMPLE

When the oil sump temperature is frequently 80° to 95°C (175° to 200°F), or in the event of a dusty or humid atmosphere, it is recommended to have an oil analysis performed (by a laboratory acknowledged) by the oil brand name owner after 4000 hours of service in order to determine the expected lifetime of the oil. Oil sump temperature must never be higher than 95°C (200°C), since oil then will degenerate very fast.

A representative oil sample should be taken either directly out of the oil sump - open the unit's inspection cover immediately after shutdown - or by means of flushing a certain amount of oil (capacity of the drain pipe + 2 litres) through the drain cock or service piping before taking the oil sample. Make sure to use only appropriate and clean sample bottles.

**Be careful while draining the hot oil, use an appropriate hot oil recipient.**

**Before starting-up, check the oil level with dipstick and make sure to add-up oil when required.**

### 10.4. GREASE LUBRICATION POINTS

See paragraph 6.6 (page 10) for the greases to be used.

Grease quantity for bearings: see page 44-45.

Grease quantity for labyrinth seal: see page 46.

Lubrication intervals: see paragraph 10.2.2.

For longer lubrication intervals: consult HANSEN.

## **I** 10.5. CLEAN THE HEATER

If the gear unit is provided with a heater and to improve the life span of the heater, it is recommended to clean regularly (at every oil renew) the heater and to eliminate the deposition.

### 10.6. MAINTENANCE FREE OIL-LOCK™ SEAL MAINTENANCE FREE OIL-GUARD™ SEAL (as an option)

**Maintenance free Oil-Lock™ seal**

The high speed shaft is equipped as standard with an OIL-LOCK™ oil seal. The high and low speed shaft of the Hansen P4 single stage gear units are equipped with an OIL-LOCK™ seal. This oil seal is wear resistant and maintenance free due to its centrifugal operating principle. The dual purpose labyrinth seal also prevents the entrance of dirt and moisture.

Disassembly of the OIL-LOCK™ seal should only be carried out by qualified personnel.

##### Maintenance free Oil-Guard™ seal as an option.

The high speed shaft may be equipped as option with an OIL-GUARD™ oil seal. This system consist of a tapered ring rotating close to the machined housing and functioning as a centrifugal pump. It is located between the oil and a radial seal. During operation, even in submerged conditions, the Hansen OIL-GUARD™ seal ensures leak free running conditions.

Disassembly of the OIL-GUARD™ seal should only be carried out by qualified personnel.

Disassembly of the OIL-GUARD™ seal should only be carried out by qualified personnel.

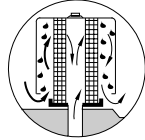
### 10.7. EXTENDED PERIODS OF STANDSTILL

- ! When gear units are at standstill for an extended period, the protective oil film containing anti corrosion additives gradually disappears and the unprotected internal parts become subject to corrosion. Adverse ambient conditions such as humid, marine, tropical and chemically aggressive environments will accelerate the process.

A periodic visual inspection through the inspection cover is required.

Corrosion of the internals can be avoided by letting run the gear unit for a few minutes every two weeks (depending on the ambient conditions) thus allowing the formation of a new oil film.

Install a special breather (marked with the label shown below) to prevent moisture from entering the gear unit.



If it is not possible to run the unit regularly and the risk for corrosion is imminent, during extended periods of standstill the unit must be protected as follows :

- an oil soluble concentrate including corrosion inhibitors which are active both in the liquid and in the vapour phase has to be added. A 2% volume concentration is considered to be normal. Consult your oil supplier about lifetime, compatibility with the actual oil and about volume concentration.
- seal all gear unit openings (dipstick, breather etc.) hermetically .

- ! **Before new starting-up: read chapters 9 and 10, release hermetical seals.**

### 10.8. SERVICE AFTER SALES

For technical assistance or additional information, the HANSEN sales centres are at your disposal. When you contact them, please specify the complete type code and the manufacturing number mentioned on the gear unit's nameplate.

### 10.9. REPAIRS

Any repair should only be carried out by qualified personnel. Only original HANSEN spares should be used.

- ! No products or substances may be used in the gear unit that could bring foreign ingredients (particularly solid or friction reducing additives amongst other things) in the oil.

## OBJET

Ce manuel d'entretien donne les instructions préconisées pour l'entreposage, l'installation, le fonctionnement, la lubrification et l'entretien adéquats des réducteurs de vitesse standard **Hansen P4**.

Tout renseignement supplémentaire peut être obtenu en contactant l'un des centres de vente de HANSEN (p. 2-3)

**La manutention, l'entreposage, l'installation, la mise en marche, l'inspection et l'entretien d'un groupe de commande seront réalisés par du personnel qualifié en matière d'équipement mécanique industriel et - où d'application - d'équipement électrique.**

## 1. GENERALITES

### 1.1. INSTRUCTIONS GENERALES

Avant d'installer le réducteur, lire attentivement ce manuel.

L'application systématique des instructions préconisées assurera au réducteur un fonctionnement sans problèmes pendant de longues années.

Contrôler la conformité du matériel par rapport aux documents de livraison et vérifier qu'aucun dégât apparent ne se soit produit lors du transport. Tout manquement, dégât ou non-conformité doit être signalé immédiatement à HANSEN.

#### 1.1.1. Garantie

La clause de garantie stipulée dans les "Conditions Générales de Vente" s'applique aux unités installées et entretenues suivant les instructions décrites dans ce manuel et les instructions complémentaires jointes au réducteur, pour autant que le réducteur fonctionne dans les conditions de service et de puissance spécifiées dans l' "Accusé de Réception de Commande" et sur les plans d'encombrement fournis.

La clause de garantie concerne toutes les pièces du réducteur à l'exception des pièces qui sont sujettes à l'usure.

La garantie est nulle si le dégât occasionné est la conséquence d'un non-suivi de ces instructions, d'un choix inadéquat du lubrifiant ou d'un manque d'entretien.

#### 1.1.2. Sécurité

**Il est interdit d'utiliser le réducteur pour d'autres applications et d'autres conditions d'utilisation que celles mentionnées à la commande.**

**L'utilisateur est responsable pour l'installation correcte de l'ensemble et de l'approvisionnement de dispositifs de protection et de sécurité qui dépendent aux prescriptions de sécurité locales.**

Les réchauffeurs et refroidisseurs d'huile, les alarmes électriques et autres appareils de contrôle et de sécurité, livrés par HANSEN avec ou sans l'équipement, doivent être installés et connectés par l'utilisateur suivant les instructions reprises dans le document technique correspondant.

**Quelques bagues d'étanchéité dans un réducteur de vitesse peuvent contenir du FKM<sup>1</sup> (marque déposée, par exemple : Viton<sup>®</sup> 2 et Fluorel<sup>®</sup> 3). Si des bagues d'étanchéité, fabriquées à partir du FKM, ont été exposées à des températures élevées (par exemple en cas d'incendie ou quand un roulement tout près de la bague subi des dommages importants) des fluorures organiques fortement corrosifs peuvent être produits et le contact avec la peau doit être évité en toute circonstance.**

**Puisqu'il n'est pas toujours certain si le matériel utilisé soit en fait du FKM, il est vivement recommandé de manipuler chaque bague d'étanchéité, qui a été exposée à des températures élevées, avec un soin extrême tout en prenant les précautions nécessaires (\*).**

1: FKM est l'abréviation de "Fluoroelastomer" (élastomère à base de Fluor)

2: Viton<sup>®</sup> est une marque déposée de Dupont-Dow

3: Fluorel<sup>®</sup> est une marque déposée de Dyneon (3M)

**(\*) Extrait de "Handling precautions for Viton<sup>®</sup> and related chemicals", technical information" de Dupont-Dow (Précautions à prendre en cas de manipulation de Viton<sup>®</sup> et des produits chimiques similaires, information technique). Précaution en cas d'incendie.**

**!** Des produits fortement toxiques (\*\*) peuvent être produits suite à la combustion de Viton<sup>®</sup> dans un incendie. Le personnel combattant l'incendie doit porter des masques munis de bouteilles d'oxygène. Tout le personnel non protégé doit immédiatement quitter le secteur. N'importe qui exposé aux vapeurs de l'incendie doit être déplacé immédiatement à l'air frais et doit être traité par un médecin.

**n** N'importe quelle personne qui manipule des résidus de polymère de Viton<sup>®</sup> ou des parties de Viton<sup>®</sup> qui ont été impliquées dans un incendie doit porter des gants de néoprène pour éviter le contact de la peau avec ces résidus probablement fortement corrosifs, qui incluent selon toute probabilité le fluorure d'hydrogène (HF). (Des gants en chlorure polyvinyle [PVC] peuvent être employés si la température du résidu est au-dessous du point de fusion des gants.)

De tels résidus devraient être décontaminés par lavage à l'eau de chaux (une solution d'hydroxyde de calcium) et seront éliminés de la même manière que le polymère de Viton<sup>®</sup>. Pour se débarrasser du Viton<sup>®</sup>, le remblai est préféré. La méthode d'élimination des résidus doit être conforme aux règlements nationaux et locaux.

Incinérer le Viton<sup>®</sup> n'est pas recommandé, à moins que conduit par un processus d'incinération approuvé et autorisé. Dans ce cas, les produits gazeux doivent être traités au lavage alcalin. Les gants doivent être détruit de la même façon.

(\*\*) Substances libérées par combustion de Viton<sup>®</sup>

Monoxyde de carbone (CO)

"Fluoroform" (CHF<sub>3</sub>)

Dioxyde de carbone (CO<sub>2</sub>)

Fluorure de Vinilidène (H<sub>2</sub>CCF<sub>2</sub>)

Fluorure d'hydrogène (HF)

Hexafluoropropylène (C<sub>3</sub>F<sub>6</sub>)

Fluorure carbonyle (COF<sub>2</sub>)

Fragments à faible poids moléculaire de "fluocarbon" (Fluorure de carbone)

### 1.2. SPECIFICATIONS GENERALES

Pour les spécifications telles que dimensions, poids, schémas de raccordement, se référer au plan d'encombrement du réducteur et/ou aux catalogues des réducteurs standard Hansen P4.

### 1.3. IDENTIFICATION

Chaque réducteur est identifié par sa plaque signalétique. Elle mentionne entre autres la dénomination complète du type, le numéro de fabrication, la puissance et /ou le couple, la vitesse et des indications concernant la lubrification.

Toute demande concernant un réducteur doit mentionner la dénomination complète du type et le numéro de fabrication.

Ces informations sont essentielles afin d'identifier avec certitude le réducteur livré par HANSEN.

## 2. LIVRAISON

**!** Avant expédition tout réducteur a été contrôlé et agréé par le service **CONTROLE QUALITÉ** et ce sur la base des spécifications de la commande. A cet effet le réducteur subit des essais de fonctionnement à vide pendant plusieurs heures, dans sa position normale et à la vitesse indiquée sur la plaque signalétique.

### 2.1. ETAT DES REDUCTEURS A LA LIVRAISON

Sauf stipulation contraire, les appareils sont livrés non emballés, mais éventuellement fixés sur des palettes en bois et protégés par une caisse à claire-voie.

Certains éléments, comme une cartouche de réserve de filtration, sont emballés séparément. L'utilisateur réalisera l'installation correcte de ces éléments (voir chapitre 5. INSTALLATION page 16)

**!** **Les réducteurs HANSEN P4 sont livrés sans huile.**

Les points de graissage sont garnis de la graisse nécessaire.

**!** **Après livraison, si le réducteur devrait encore être transporté par d'autres moyens, le transport par chemin de fer doit être évité.**

**n** **Si les réducteurs doivent être transportés par chemin de fer, des précautions particulières doivent être prises par l'expéditeur pour éviter des dommages aux engrenages et aux roulements suite à l'effet de martèlement (false Brinelling).**

### 2.2. PEINTURE

La peinture extérieure standard des réducteurs HANSEN est un primaire époxy à extrait sec élevé de couleur bleu marin, correspondant à la spécification allemande RAL 5021.

Cette peinture garantit une protection durant 5 ans, si le réducteur est installé à l'intérieur et n'est pas sujet à une ambiance humide ou agressive.

La peinture est recouvrable par la plupart des peintures à base de résines alkydes, époxydiques et polyuréthanes.

### 2.3. PROTECTION

Les organes intérieurs sont pulvérisés d'une huile anti-rouille. Le reniflard (standard, anti-poussière ou anti-humidité) reste sur place et n'est pas fermé. Les bouts d'arbres sont enduits d'une couche de graisse anti-rouille et protégés par du papier huilé. Les arbres creux et toutes les faces usinées non peintes sont munis d'une couche cireuse anti-rouille. Ce système standard garantit une protection pendant le transport et/ou pour un entreposage durant 1 an à l'intérieur.

## 3. ENTREPOSAGE

- ❗ **Entreposer le réducteur muni de son emballage original. Ne jamais placer le réducteur près de machines vibrantes, ceci pour éviter des dommages aux roulements.**

### 3.1. DUREE REDUITE

#### A l'intérieur

Deux ans maximum, à l'intérieur dans un endroit sec et ventilé.

#### A l'extérieur (en plein air)

Le réducteur sera rempli d'une petite quantité d'huile minérale contenant un additif volatil anti-rouille. Fermer hermétiquement les ouvertures de la jauge d'huile, du reniflard, du réchauffeur etc. Les ouvertures devront rester fermées hermétiquement durant la manutention et le transport.

### 3.2. LONGUE DUREE

#### A l'intérieur

Cinq ans maximum, à l'intérieur dans un endroit sec et ventilé.

Au cas où les réducteurs seraient stockés pendant une période de max. 5 ans dans un endroit sec et aéré, les réducteurs doivent être remplis avec un peu d'huile minérale contenant un additif protecteur de corrosion volatile après le deuxième et la quatrième année. La protection anti-corrosion des bouts d'arbre doit être vérifiée - probablement corrigée. À ces occasions l'arbre grande vitesse doit être tourné jusqu'à ce que l'arbre petite vitesse ait fait 2 tours complets. Ensuite le réducteur doit être refermé hermétiquement.

#### n A l'extérieur (en plein air)

Jusqu'à 2 ans à l'extérieur, sous enveloppe hermétiquement scellée et inclus dans une caisse d'emballage maritime.

#### Remarque

**Tous les réducteurs qui sont traités et qui sont emballés pour l'entreposage de longue durée, ont un autocollant avec les instructions suivantes:**

#### ATTENTION

Ce réducteur contient .... litres d'huile avec inhibiteur de corrosion volatile.

POUR EVITER QUE DES VAPEURS OU L'HUILE ANTI-CORROSIF S'ÉCHAPPENT, STOCKEZ LE REDUCTEUR DANS SA POSITION DE TRANSPORT ET GARDER LE FERME HERMETIQUEMENT JUSQU'À LA MISE EN SERVICE.

#### AVANT LA MISE EN SERVICE

- Replacer le bouchon rouge par la jauge et le bouchon d'aération ou filtre d'aération, attachés au réducteur

- Vidangez et ensuite remplissez le réducteur avec la quantité d'huile pour engrenage préconisée (voir aussi le manuel d'entretien.

- ❗ Il y a lieu dans certain cas de rincer le réducteur, avant la mise en marche, avec l'huile sélectionnée. Vérifier avec le fournisseur d'huile.  
Voir paragraphe 6.5 page 20: Remplissage initial  
Voir chapitre 9 page 21: Mise en marche

**Manipuler toutes les huiles ou lubrifiants avec précaution et suivant les instructions de manipulation et de sécurité fournis par les fournisseurs de lubrifiant à la demande du client. Ces instructions doivent être remises au personnel qui réalise l'installation, l'entretien ou la réparation du réducteur.**


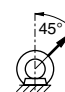
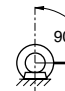
- n **N'ouvrez pas le réducteur de vitesse près des flammes, des étincelles ou des objets chauds et prenez les mesures préventives de protection des personnes contre les additifs protecteur de corrosion volatile.**

## 4. MANUTENTION

La manutention et l'installation des réducteurs **Hansen P4** sont aisées. Utiliser des oeillets de levage ovales intégrés pour les réducteurs à arbre petite vitesse horizontal. Utiliser des écrous à anneau ou tiges intégrées pour les réducteurs à arbre petite vitesse vertical. Utiliser toujours les oeillets de levage prévus au moyen d'outillage approprié pour garantir une bonne distribution de la charge.

- ❗ **Utiliser les écrous à anneau fixés au réducteur. Au besoin monter des écrous à anneau appropriés aux pattes du réducteur. Les écrous à anneau fixés au réducteur ne peuvent être écartés et doivent être complètement vissés avant levage du réducteur. Ne jamais soulever un réducteur par ses arbres.**

### Ecrous à anneau fixés au réducteur:

Force max. à l'écrou à anneau (kN)	M16	M20	M22	M24	M27	M30	M33
	7	12	15	18	26	36	36
	4	7	8,7	10	15	20	20
	3,5	6	7,6	9	13	18	18

### Exécution horizontale

#### n - Réducteurs à un étage (type QHP.1)

Utiliser uniquement l'oeillet de levage intégré et des écrous à anneau appropriés fixés aux pattes du réducteur

Taille du réducteur	C	D	E	F	G
Côté arbre P.V.	M22	M27	M27	M33	M33
Côté arbre G.V.	Utiliser uniquement l'oeillet de levage				

#### - Réducteurs à plusieurs étages (type QH...)

Utiliser uniquement les oeillets de levage ovales

### Exécution verticale

#### - Réducteurs à deux étages (type QV..2)

Taille du réducteur	C	D	E	F	G	H
Côté arbre P.V.	M16	M16	M20	M24	Utiliser uniquement les tiges intégrées	
Côté arbre G.V.	M20	M24	M24	M30		

#### - Réducteurs à trois étages (type QV..3)

Taille du réducteur	C	D	E	F	G	H
Côté arbre P.V.	M16	M16	M20	M24	M30	M30
Côté arbre G.V.	M16	M20	M24	M24	M30	M30

#### - Pour réducteurs (type QV...), tailles J à T

Utiliser uniquement les tiges intégrées

- ❗ La manutention d'appareils équipés d'un système de lubrification suppose une attention spéciale. Dans certains cas il peut être nécessaire de démonter les thermomètres, manomètres et une partie de la tuyauterie. Lors d'une telle opération, veiller à ce qu'aucun corps étranger ne s'introduise dans le système.

## 5. INSTALLATION

### 5.1. MONTAGE D'ACCESSOIRES

Clavetage dans les bouts d'arbre suivant DIN 6885 "Feuille 1 - Form N1 ou N3" pour les arbres à dimensions métriques.

Trous taraudés dans les arbres suivant DIN 332 Teil 2 Form D.

Le montage des accouplements sur les arbres se fait à serrage suivant les spécifications. En cas de doute, consultez HANSEN.

Enlever la protection des bouts d'arbre et vérifier l'ajustage de la clavette et la hauteur de la rainure de clavette de l'élément à monter. Réchauffer l'élément à monter jusqu'à 80-100°C sera suffisant. Lors du montage des éléments quelconques sur les bouts d'arbre, le trou taraudé dans ceux-ci facilitera l'opération.

### ! Éviter de monter à coups de marteau, car les roulements pourraient être abîmés.

L'emploi d'accouplements rigides est à prohiber sauf sur des arbres entraînés non guidés (p.ex. agitateurs, aérateurs) et pour des exécutions à bras de réaction.

### ! 5.2. CHARGES EXTERIEURES

Au cas où le réducteur est appelé à être sollicité par des charges extérieures, poser des butées contre les pieds du réducteur pour prévenir tout déplacement. Des éléments transmettant des charges radiales au bout d'arbre doivent être montés le plus près possible du carter.

Éviter une tension exagérée des courroies d'une transmission montée sur l'arbre d'entrée ou de sortie. Pour les ensembles moteur, transmission par courroies et réducteur, la tension des courroies est réglée avant livraison. Vérifier de nouveau la tension après 24h de service.

Monter des transmissions par chaîne sans tension préalable.

Lorsqu'un pignon est à monter sur le bout d'arbre du réducteur, veiller à ce que le jeu normalement requis entre le pignon et la roue dentée, soit respecté et vérifier si les dents portent sur toute leur largeur.

### 5.3. IMPLANTATION

#### 5.3.1. Mise à niveau

### ! Monter le réducteur uniquement dans la position prévue lors de la commande.

Consulter HANSEN pour l'installer dans une autre position car le dispositif de lubrification pourrait devoir être adapté.

### ! 5.3.2. Alignement

L'alignement horizontal du réducteur envers le moteur et la machine entraînée doit être aussi correct que possible et à mieux que 5 mm par 1 m (5/32 pouce par 3 pieds ou 5 mrad ou 17 minutes d'arc) ou dans les limites indiquées au plan d'encombrement pour les positions non horizontales. L'erreur d'alignement maxi admissible entre arbres dépend du type d'accouplement monté sur les bouts d'arbre : voir les instructions propres à l'accouplement utilisé. Utiliser seulement 3 points d'appui pour le réglage de l'alignement. Régler ensuite les autres points d'appui au moyen d'épaisseurs et ce jusqu'à un jeu de 0,1 à 0,2 mm, selon la taille du réducteur.

### 5.4 FIXATION DES REDUCTEURS A ARBRES PLEINS

### ! Installez les réducteurs sur un châssis ou socle rigide et stable afin d'éviter les vibrations et les éventuelles surcharges aux pattes de fixation du carter.

Faire usage des points d'appui indiqués sur le plan d'encombrement. Après alignement correct et réglage des tous les points d'appui au moyen de cales d'épaisseur, fixer le réducteur solidement sur sa fondation en utilisant des boulons, qualité 8.8 suivant DIN 267 ou SAE degré 5 pour les boulons jusqu'à et y compris 1 1/2", ASTM.A-354 degré BC pour les boulons au-delà de 1 1/2". Dimensions et couples de serrage: voir tableau.

Remarque: Pour certaines exécutions à arbres parallèles et ventilateurs, le capot de protection du ventilateur doit être démonté afin de permettre le serrage des boulons. Remonter le capot de protection par après.

#### 5.4.1. Couples de serrage pour boulons en acier, Qualité 8.8

#### Exécution horizontale

##### - Réducteurs à un étage (type QHP.1)

Taille du réducteur	C	D	E	F	G
Dimension boulon ISO	M20	M24	M24	M30	M30
Degré 8.8					
Couple de serrage Nm	335	675	675	1350	1350
Bolt size					
Degré 5 UNC	3/4"	7/8"	1"	1 1/8"	1 1/4"
Couple de serrage lbf.in	2950	4850	6000	10300	12000

##### - Réducteurs à plusieurs étages (type QH...)

Taille du réducteur	A	B	C	D	E-F	G-H-J-K	L-M	N-P-Q	R-S-T
Dimension boulon ISO	M16	M20	M24	M24	M30	M36	M42	M48	M56
Degré 8.8									
Couple de serrage Nm	180	335	675	675	1350	2350	3800	5700	9150
Dim. boulon									
Degré 5 / Degré BC UNC	5/8"	3/4"	7/8"	1"	1 1/4"	1 1/2"	1 3/4"	2"	2 1/4"
Couple de serrage lbf.in	1550	2950	4850	6000	12000	21000	33650	50750	81050

#### Exécution verticale

##### - Réducteurs (type QV...)

Taille du réducteur	A	B	C	D	E	F-G(1)	G(2)-H-J-K	L-M-N-P-Q	R-S-T
Dimension boulon ISO	M16	M20	M24	M30	M30	M36	M42	M48	M56
Degré 8.8									
Couple de serrage Nm	180	335	675	1350	1350	2350	3800	5700	9150
Dim. boulon									
Degré 5 / Degré BC UNC	5/8"	3/4"	1"	1 1/8"	1 1/4"	1 1/2"	1 3/4"	2"	2 1/4"
Couple de serrage lbf.in	1550	2950	6000	10300	12000	21000	33650	50750	81050

(1) taille G : réducteur à 2 trains d'engrenages

(2) taille G : réducteur à 3 et 4 trains d'engrenages

#### 5.4.2. Couples de serrage pour boulons en INOX, Qualité 80

#### Exécution horizontale

##### - Réducteurs à un étage (type QHP.1)

Taille du réducteur	C	D	E	F	G
Dimension boulon ISO	M20	M24	M24	M30	M30
Degré 80					
Couple de serrage Nm	340	sur demande			
Dim. boulon					
Degré 5 / Degré BC UNC	3/4"	7/8"	1"	1 1/8"	1 1/4"
Couple de serrage lbf.in	3000	sur demande			

##### - Réducteurs à plusieurs étages (type QH...)

Taille du réducteur	A	B	C	D	E-F	G-H-J-K	L-M	N-P-Q	R-S-T
Dimension boulon ISO	M16	M20	M24	M24	M30	M36	M42	M48	M56
Degré 80									
Couple de serrage Nm	185	340	sur demande						
Dim. boulon									
Degré 5 / Degré BC UNC	5/8"	3/4"	7/8"	1"	1 1/4"	1 1/2"	1 3/4"	2"	2 1/4"
Couple de serrage lbf.in	1650	3000	sur demande						

#### Exécution verticale

##### - Réducteurs (type QV...)

Taille du réducteur	A	B	C	D	E	F-G(1)	G(2)-H-J-K	L-M-N-P-Q	R-S-T
Dimension boulon ISO	M16	M20	M24	M30	M30	M36	M42	M48	M56
Degré 80									
Anhaal-moment Nm	185	340	sur demande						
Dim. boulon									
Degré 5 / Degré BC UNC	5/8"	3/4"	1"	1 1/8"	1 1/4"	1 1/2"	1 3/4"	2"	2 1/4"
Couple de serrage lbf.in	1650	3000	sur demande						

(1) taille G : réducteur à 2 trains d'engrenages

(2) taille G : réducteur à 3 et 4 trains d'engrenages

L'alignement de groupes de commande livrés sur châssis est soigneusement contrôlé avant expédition. Il importe pourtant de vérifier si le châssis n'a pas été déformé pendant le transport ou l'implantation. A cet effet, contrôler de nouveau l'alignement des accouplements ou d'autres organes après l'installation définitive.



**5.5. FIXATION DES REDUCTEURS A ARBRE CREUX**
**5.5.1. Réducteur à arbre creux avec frette de serrage**

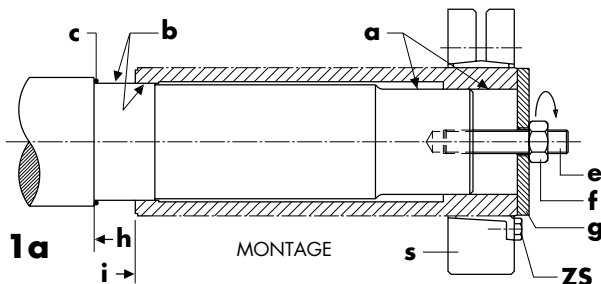
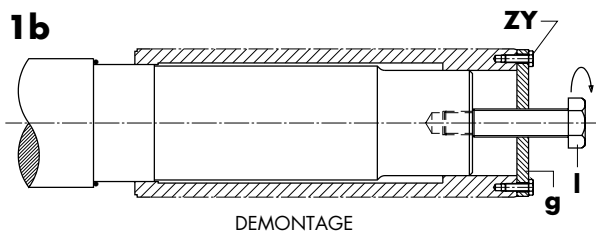
La frette de serrage livrée par HANSEN est prête à être installée.

Il est déconseillé de défaire la frette avant montage.  
 Utilisation standard du type HSD (fig. 1c). L'utilisation du type SD est possible sur demande (fig. 1d).

**Montage** (fig. 1a)

- ❗ Nettoyer et dégraisser les surfaces de contact (a) et (b).
- Traiter la surface (b) - **jamais la surface (a)** - avec du "Molykote D321R" ou un produit analogue.
- Après durcissement de la couche appliquée, glisser le joint torique (c) sur l'arbre.
- Tirer le réducteur sur l'arbre de la machine à l'aide d'une tige filetée (e), d'un écrou (f) et d'une entretoise (g), jusqu'à ce que les faces (h) et (i) soient en contact.
- Placer la frette (s). Une rainure marquée sur l'arbre indique le bon positionnement de la frette de serrage.
- Serrer les boulons (ZS) à la clé dynamométrique. Le couple de serrage maxi est indiqué dans le tableau 1 pour le type HSD. Pour le type SD le couple de serrage est indiqué sur le plan d'encombrement.

- ❗ **NOTE : Ne jamais serrer les vis d'une frette non montée.**


**FIG. 1**

**Type HSD** (fig. 1c)

Le couple de serrage (TA) est indiqué dans le tableau 1 et sur la plaque signalétique (p).

Un serrage correct de la frette suppose que les faces frontales des anneaux extérieur (o) et intérieur (n) soient dans le même plan. Un contrôle visuel permet de vérifier si cela est le cas.

**Type SD** (fig. 1d)

Les couples de serrage sont indiqués sur la plaque signalétique (p) et sur le plan d'encombrement.

Retirer les intercalaires de transport placés entre les anneaux extérieurs (o). Lors du montage et du serrage s'assurer que les deux faces des anneaux extérieurs restent parallèles entre eux.

**Types HSD + SD**

Serrer les vis (ZS) une à une dans un ordre continu (q) et progressivement en plusieurs reprises, jusqu'à obtention du couple de serrage requis.

- ❗ Ne pas serrer les vis diamétralement.
- Prévoir le capot de protection.

**Fixation en cas de charge axiale**

Lorsque la charge axiale n'est pas reprise par le collet de l'arbre, le montage d'une entretoise est nécessaire. (voir fig. 2b, page 17).

**Démontage** (fig. 1b)

- Desserrer uniformément d'un quart de tour toutes les vis de serrage (ZS) (fig. 1c/1d) et ceci dans un ordre continu en plusieurs stades.
- Au cas où les anneaux extérieur et intérieur du type HSD ne se dégagent pas d'eux-mêmes, l'on peut enlever quelques vis de serrage et les introduire dans les trous taraudés (r) (fig. 1c) prévus dans l'anneau extérieur. La poussée des vis provoquera la séparation et le dégagement des deux anneaux.

- Retirer la frette de serrage de l'arbre creux.
- Fixer l'entretoise (g) sur l'arbre creux à l'aide de boulons (ZY). (Dimensions de ZY: voir plan d'encombrement)
- Placer le boulon de démontage (l) dans le trou central de l'entretoise (g).
- Serrer le boulon (l) pour démonter le réducteur de l'arbre entraîné.

**Remarque**

Les pièces e,f,g,l et ZY ne font pas partie de notre livraison, mais peuvent être livrées sur demande. Données: voir catalogue ou plan d'encombrement.

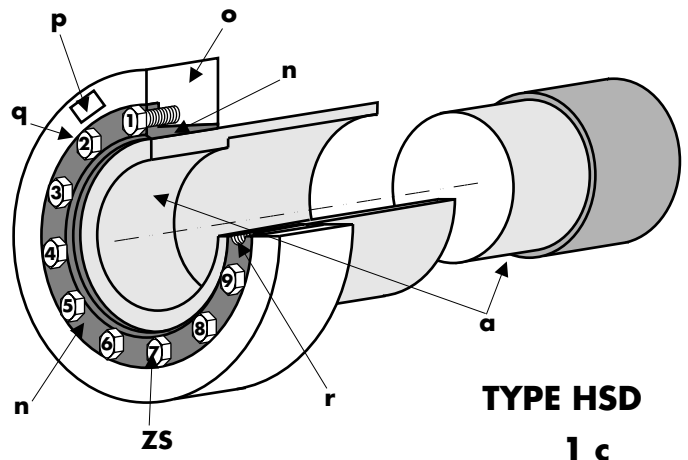
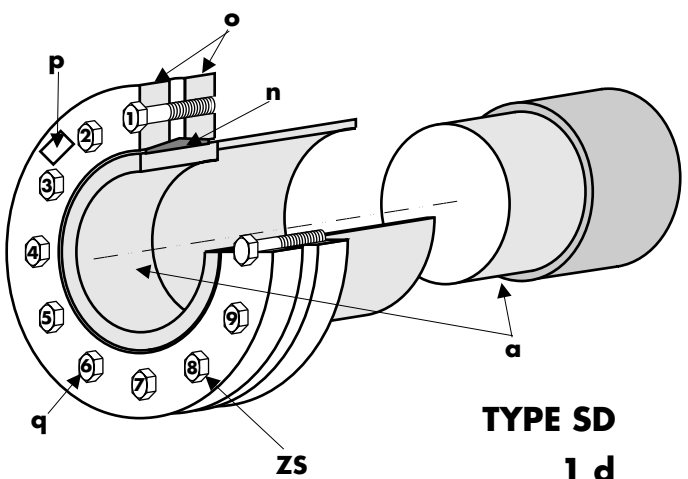
**Nettoyage et regraissage**

Les frettes retirées ne doivent pas être démontées pour nettoyage ou regraissage avant réemploi, sauf si elles ont été utilisées dans un environnement très sale.

Après nettoyage, enduire les surfaces coniques d'un lubrifiant solide ayant un coefficient de friction de 0,04 (p.e. Molykote D321R ou équivalent).

**Tableau 1: seulement pour type HSD**

Frettes de serrage	TA Nm	TA lbf.in
HSD 110-81x110	121	1070
HSD 125-81x125	121	1070
HSD 140-81x140	193	1700
HSD 165-81x165	295	2600
HSD 185-81x185	295	2600
HSD 220-81x220	570	5000
HSD 240-81x240	570	5000
HSD 260-81x260	570	5000
HSD 280-81x280	570	5000
HSD 320-81x320	980	8600
HSD 340-81x340	980	8600
HSD 360-81x360	980	8600
HSD 390-81x390	1450	12800
HSD 420-81x420	1450	12800
HSD 440-81x440	1450	12800
HSD 480-81x480	1450	12800
HSD 500-81x500	1970	17400
HSD 530-81x530	1970	17400


**FIG. 1**


**5.5.2. Réducteur à arbre creux avec liaison par clavette**

**Montage** (fig. 2a)

- Enduire les faces de fixation (b) de pâte de montage.
- Glisser le joint torique (c) sur l'arbre.
- Placer la clavette de montage (d) dans la rainure de clavette de l'arbre machine, avec l'arrêt de la clavette contre la face de l'arbre.
- Placer le réducteur sur l'arbre machine. Veiller à ce que les rainures de clavette soient positionnées correctement l'une vis-à-vis de l'autre.
- Monter le réducteur sur l'arbre machine à l'aide d'une tige filetée (e), d'un écrou (f) et d'une entretoise (g) jusqu'à ce que la clavette de montage (d) et l'entretoise (g) se touchent.
- Enlever l'écrou (f), l'entretoise (g) et la clavette de montage (d).
- Vérifier si le jeu au-dessus de la clavette (m) est suffisant.
- Introduire la clavette (m) fig. 2b dans la rainure (≠ clavette de montage).
- Remonter l'entretoise (g) et l'écrou (f).
- Tirer le réducteur plus loin sur l'arbre jusqu'à ce que les faces (h) et (i) se touchent.
- Enlever l'écrou (f), l'entretoise (g) et la tige filetée (e).

**Fixation** (fig. 2 b)

- Remettre l'entretoise (g) à l'aide des boulons de fixation (j) prévus.
- Monter le capot de protection (k).

**n** Au cas où l'arbre creux est soumis à une force axiale externe, consulter les instructions spécifiques mentionnées sur le plan d'encombrement.

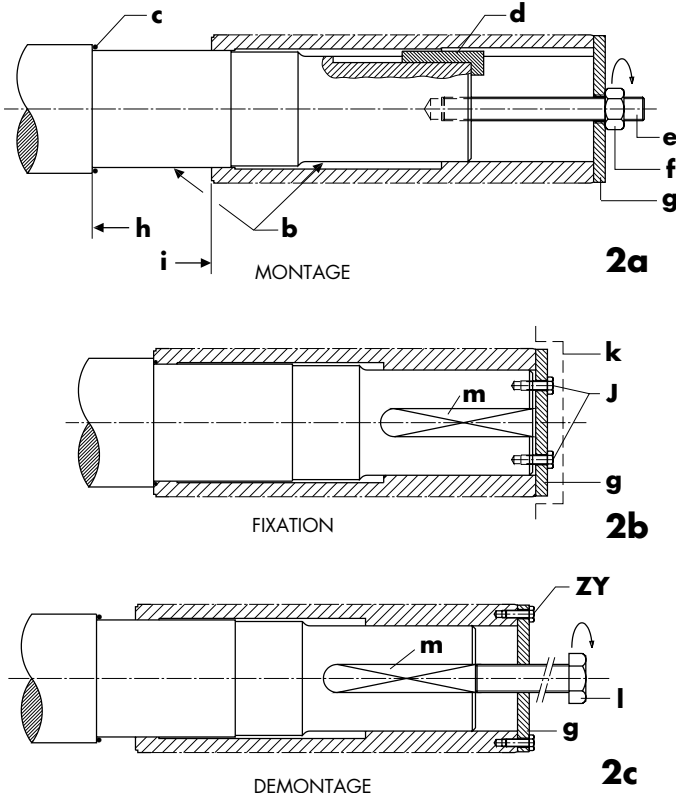
**Démontage** (fig. 2 c)

- Enlever le capot de protection (k) (fig. 2b) et les boulons de fixation (j) (fig. 2b).
- Fixer l'entretoise (g) sur l'arbre creux à l'aide des boulons (ZY) (Dimensions de ZY: voir plan d'encombrement).
- Monter le boulon de démontage (l) dans le trou central de l'entretoise (g).
- Serrer le boulon (l) pour enlever le réducteur de l'arbre machine.

**Remarque**

Les pièces e,f,l et ZY ne font pas partie de la livraison, mais peuvent être livrées sur demande.  
Pour plus de détails: voir catalogue ou plan d'encombrement

**FIG. 2**



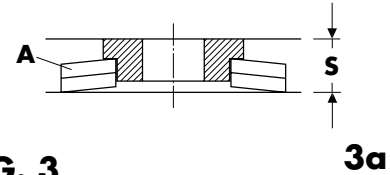
**5.5.3. Montage du bras de réaction**

Après montage du réducteur sur l'arbre entraîné (voir par. 5.5.1 ou 5.5.2), fixer le réducteur au point d'appui à l'aide du bras de réaction livré en option.

Le point de fixation du bras de réaction au réducteur est indiqué sur le plan d'encombrement ou dans le catalogue.

**!** La liaison entre le bras de réaction et le point d'appui est flexible et résiliente grâce à la précontrainte des rondelles Belleville du bras de réaction.

- La précontrainte est réglée par la compression des rondelles.
- La précontrainte des rondelles Belleville est réglée de la façon suivante :
  - Déterminer la distance S (fig. 3a), c'est la hauteur des rondelles Belleville non soumises à une compression et non montées.
  - Serrer les écrous jusqu'à l'obtention de la distance S1 (distance entre le réducteur et le point de fixation) où  $S_1 = S - \Delta S$  (fig. 3b, 3c, 3d)
  - $\Delta S$  = l'enfoncement des rondelles (tableaux 2, 3 et 4)
  - obtenu par le poids du réducteur et le serrage des écrous
- Après réglage de la distance S1, verrouiller les écrous en serrant l'écrou extérieur et le contre-écrou l'un contre l'autre.



**FIG. 3**

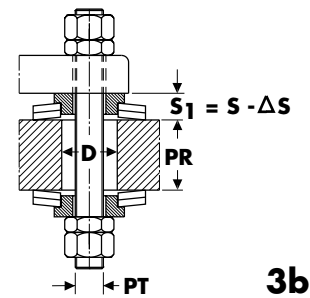


Tableau 2

Réducteur Taille	D ±5	PT	PR max		ΔS		A	
			mm	inch	mm	inch	Q*	DIN 2093
<b>QH.A2</b>	35	M16	40	1.57	0,7	0.028	2 x 2	A 80
<b>QH.B2</b>	35	M20	50	1.97	0,7	0.028	2 x 2	A 80
<b>QH.C2</b>	45	M24	60	2.36	0,9	0.035	2 x 2	A 100
<b>QH.D2</b>	45	M24	60	2.36	0,9	0.035	2 x 3	A 100
<b>QH.E2</b>	60	M30	75	2.95	1,0	0.039	2 x 3	A 125
<b>QH.F2</b>	60	M30	75	2.95	1,0	0.039	2 x 3	A 125
<b>QH.G2</b>	60	M36	90	3.54	1,0	0.039	2 x 4	A 125
<b>QH.H2</b>	60	M36	90	3.54	1,0	0.039	2 x 4	A 125

Q\*: nombre de rondelles Belleville

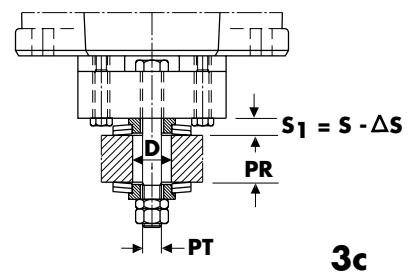


Tableau 3

Réducteur Taille	D ±5	PT	PR max		ΔS		A	
			mm	inch	mm	inch	Q*	DIN 2093
<b>QH.C3</b>	35	M20	50	1.97	0,7	0.028	2 x 3	A 80
<b>QH.D3 - QH.D4</b>	45	M24	60	2.36	0,9	0.035	2 x 2	A 100
<b>QH.E3 - QH.E4</b>	45	M24	60	2.36	0,9	0.035	2 x 3	A 100
<b>QH.F3 - QH.F4</b>	60	M30	75	2.95	1,0	0.039	2 x 2	A 125
<b>QH.G3 - QH.G4</b>	60	M36	90	3.54	1,0	0.039	2 x 3	A 125
<b>QH.H3 - QH.H4</b>	60	M36	90	3.54	1,0	0.039	2 x 3	A 125

Q\*: nombre de rondelles Belleville

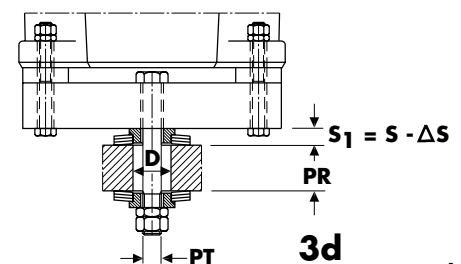


Tableau 4

Réducteur Taille	D ±5	PT	PR max		ΔS		A	
			mm	inch	mm	inch	Q*	DIN 2093
<b>QH.J3 - QH.J4</b>	80	M42	105	4.1	1,4	0.055	2 x 3	A 160
<b>QH.K3 - QH.K4</b>	80	M42	105	4.1	1,4	0.055	2 x 3	A 160
<b>QH.L3 - QH.L4</b>	80	M48	120	4.7	1,4	0.055	2 x 4	A 160
<b>QH.M3 - QH.M4</b>	80	M48	120	4.7	1,4	0.055	2 x 4	A 160

Q\*: nombre de rondelles Belleville

## 5.6. LUBRIFICATION APRES INSTALLATION

**!** Le réducteur doit être lubrifié après la mise à niveau, l'alignement et la fixation. Toutes les instructions mentionnées dans le chapitre 6 "LUBRIFICATION" seront suivies.

**n** Si une longue période d'arrêt du réducteur est prévue avant la mise en marche, les instructions du paragraphe 10.6 "REDUCTEUR HORS SERVICE PENDANT UNE PERIODE PROLONGEE" seront suivies.

## 6. LUBRIFICATION

La lubrification assure les quatre fonctions principales suivantes:

- prévenir le contact métal-métal entre les dentures et dans les roulements
- réduire les pertes par friction
- dissiper la chaleur générée par les engrenages et les roulements
- empêcher la corrosion.

Différents systèmes de lubrification peuvent être utilisés. Le choix dépend de

- la vitesse de rotation
- la position de montage
- le régime

Les réducteurs HANSEN sont équipés d'un des systèmes suivants:

- lubrification par barbotage:
- lubrification forcée:
  - lubrification par circulation forcée
  - lubrification sous pression

Chaque système comporte éventuellement un refroidisseur d'huile sous différentes formes (voir REFROIDISSEMENT).

### 6.1. LUBRIFICATION PAR BARBOTAGE

Le système de lubrification par barbotage est standard pour tous les réducteurs à arbres horizontaux et pour une vitesse entre 750 min<sup>-1</sup> et 1800 min<sup>-1</sup> à l'arbre grande vitesse.

Tous les engrenages et les roulements de l'arbre PV sont lubrifiés par immersion dans le bain d'huile. Le barbotage des engrenages projette l'huile dans des poches aménagées dans le carter d'où l'huile est conduite par gravité vers les roulements à travers des canaux aménagés dans le carter et les couvercles.

Pour d'autres vitesses à l'arbre grande vitesse, consulter HANSEN.

### 6.2. LUBRIFICATION FORCEE

Chaque élément rotatif se situant au-dessus du bain d'huile est lubrifié par une pompe à engrenages à travers un réseau de canalisations.

La pompe peut être du type intégré, entraînée par un des arbres du réducteur, soit du type moto-pompe.

Les pompes du type intégré sont toutes équipées d'un système inverseur à l'intérieur de la pompe qui assure le fonctionnement correct dans les deux sens de rotation.

En cas de moto-pompe, le sens de rotation est toujours indiqué.

Des pompes accolées atteignent leur débit max. déjà après quelques secondes.

**!** Les moto-pompes doivent fonctionner au minimum 1 min. avant le démarrage du réducteur.

#### 6.2.1. Lubrification par circulation forcée

- Avec pompe intégrée (fig. 4)

Le système de lubrification par circulation forcée avec pompe intégrée comprend:

- une pompe P
- un filtre d'huile F avec by-pass (standard à partir de la taille G)
- un contrôle de débit MF (standard à partir de la taille G)

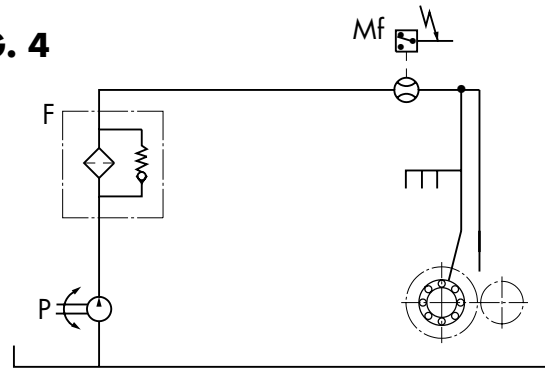
**!** Le contrôle de débit doit être branché à un circuit électrique qui coupe le moteur principal au cas où le débit d'huile descend sous son niveau d'alarme.

**!** Cependant, il est conseillé de retarder le signal d'alarme afin d'éviter l'enclenchement de l'alarme pendant le démarrage ou suite aux irrégularités du débit d'huile; l'alarme doit s'enclencher lorsque le débit d'huile a été interrompu pendant une période consécutive de 5 à 10 secondes.

- Avec moto-pompe

Le manuel d'entretien des systèmes de lubrification et de refroidissement contient l'information détaillée concernant le système de lubrification par circulation forcée avec moto-pompe.

FIG. 4



#### 6.2.2. Lubrification sous pression

Le manuel d'entretien des systèmes de lubrification et de refroidissement contient l'information détaillée concernant le système de lubrification sous pression.

#### 6.2.3. Instruments et leurs réglages

Pour des informations détaillées concernant le système de lubrification, les instruments et leurs réglages, voir le plan d'encombrement, le manuel d'entretien des systèmes de lubrification et de refroidissement et les notices séparées livrées avec ce manuel.

**!** Les réglages mentionnés sur le plan d'encombrement ont été établis lors des essais par HANSEN et ne peuvent être modifiés sans autorisation écrite.

Par contre les pré-réglages sont des valeurs recommandées et peuvent être modifiés d'après les conditions locales.

## 6.3. CHOIX DE L'HUILE

Sauf indication contraire sur la plaque signalétique (\*) ou dans le manuel technique spécial pour le réducteur spécifique (si existant), l'huile doit être sélectionnée du tableau des graisses et des huiles minérales préconisées par les propriétaires de marques respectifs, voir page 48 de ce manuel d'entretien. (\*): Par exemple, si une huile synthétique ("synthetic oil") est prescrite.

**!** Utiliser uniquement des huiles dont type et indice de viscosité correspondent aux données de la plaque signalétique. Cette viscosité a été déterminée sur base des conditions de fonctionnement spécifiées dans la confirmation de commande. Pour la conversion de la viscosité ISO classe VG en d'autres unités de viscosité, voir le tableau des lubrifiants (p. 48).

Les fournisseurs de lubrifiants sont responsables de la sélection et de la composition de leurs produits.

**L'utilisation d'huiles synthétiques n'est permise qu'après l'autorisation écrite du département "Engineering" de HANSEN.**

**Dans ce cas, seulement des huiles synthétiques qui sont spécifiées par HANSEN par marque et nom de produit peuvent être utilisées. Ces huiles synthétiques seront du type polyalphaoléfine (type SHF, "Synthetic Hydrocarbon Fluid").**

Pour s'assurer une durée de vie des roulements requise, il est vivement recommandé d'utiliser une huile de propreté initiale de -/15/12 (ou mieux) suivant ISO 4406.

Consulter le fournisseur d'huile pour obtenir une huile de telle qualité.

**Manipuler toutes les huiles ou lubrifiants avec précaution et suivant les instructions de manipulation et de sécurité qui seront fournis par les fournisseurs de lubrifiant à la demande du client. Ces instructions doivent être remises au personnel qui réalise l'installation, l'entretien ou la réparation du réducteur.**

**!** 6.4. QUANTITE D'HUILE (voir fig. 5, page 20)

**M** Les niveaux d'huile mini et maxi sont déterminés par des marques sur la jauge.

D'autres indications de niveau d'huile sont seulement indicatives. Un voyant d'huile ou un interrupteur de niveau est livrable sur demande.

**LES JAUGES A BOUCHON VISSE DOIVENT ETRE CONTROLÉES EN POSITION VISSEE. Le niveau d'huile doit être contrôlé lorsque le réducteur est à l'arrêt.**

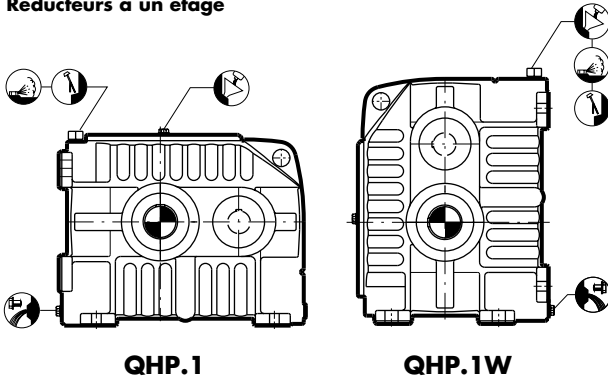
**Dans les systèmes de lubrification comportant des filtres et des refroidisseurs d'huile, le niveau d'huile doit être contrôlé avec tous les éléments remplis d'huile et après un essai de courte durée de l'installation de refroidissement.**

Le remplissage du système de lubrification et de refroidissement, y-inclus le refroidisseur, se fait automatiquement dès que la température du bain d'huile atteint 60°C. Si un remplissage plus rapide est requis, il y a lieu de purger le refroidisseur pendant que la pompe est en fonction.

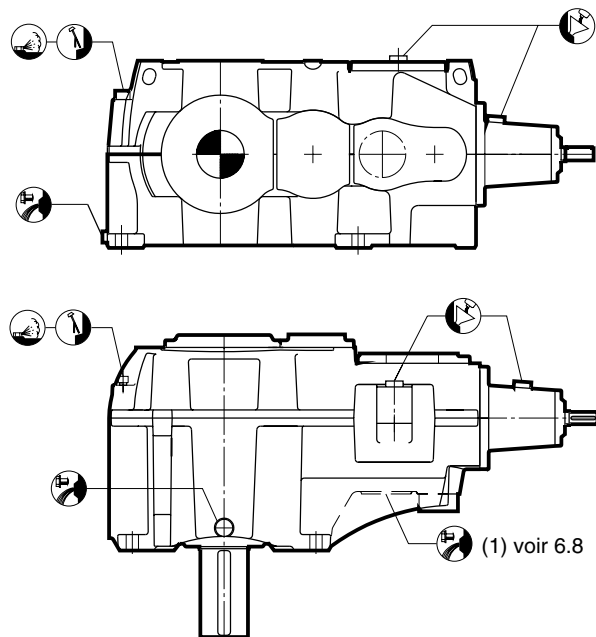
La quantité mentionnée sur la plaque signalétique d'un réducteur n'est qu'une valeur approximative, donnée à titre d'indication en vue de l'approvisionnement.

**FIG. 5**

- Réducteurs à un étage



- Réducteurs à plusieurs étages



Type et position des autocollants: voir plan d'encombrement et réducteur



Jauge d'huile



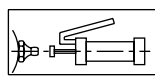
Vidange



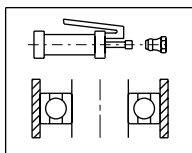
Remplissage



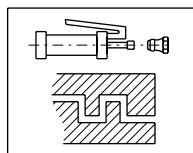
Aération



Point de graissage



Point de graissage pour roulements



Point de graissage pour garniture à labyrinthe

**M 6.5. REMPLISSAGE INITIAL** (voir fig. 5)

Remplir les appareils seulement après leur implantation définitive. Ce conseil vaut plus particulièrement pour les réducteurs à arbre de sortie vertical dirigé vers le bas muni d'une buselure à rebord dans laquelle l'huile pourrait s'introduire lors de la manutention.

**Remplir le réducteur d'huile via l'orifice prévu dans le couvercle d'inspection. Ainsi tous les roulements seront pourvus d'huile fraîche.**

**Remarque :**

- **Remplissage d'huile supplémentaire dans le palier. Les réducteurs horizontaux à arbres perpendiculaires et à 4 étages de réduction (QHR.4) et les réducteurs verticaux à arbres perpendiculaires et à 3 et 4 étages de réduction (QVR.3 + QVR.4) nécessitent un remplissage d'huile supplémentaire dans le palier.**

**Voir autocollant sur le réducteur.**

**La quantité d'huile à introduire dans le palier est mentionnée sur le plan d'encombrement et sur l'autocollant.**

- **Remplissage d'un réducteur avec base moteur M1 ou M3**

Les réducteurs à arbres horizontaux (QH..) équipés d'une base moteur M1 et M3 doivent être remplis d'une petite quantité d'huile lors du premier remplissage d'huile à travers le couvercle d'inspection situé dans la face supérieure du carter (voir auto-collant au réducteur).

Si l'espace disponible entre la base moteur et la face supérieure du réducteur est insuffisant pour effectuer le remplissage d'huile, il faudra lever la base moteur quelque peu après démontage des courroies.

Pour les réducteurs équipés d'une base moteur M1, le bouchon de remplissage est situé côté arbre grande vitesse, c.a.d. côté opposé de la jauge d'huile.

Pour réducteurs avec base moteur M3, le bouchon de vidange normal est situé du côté de la jauge d'huile.

Vidanger le réducteur s'il a été rempli d'huile antirouille. Il y a lieu dans certains cas de rincer le réducteur, avant la mise en marche, avec l'huile sélectionnée. Vérifier avec le fournisseur d'huile.

Pour s'assurer une durée de vie des roulements requise, il est vivement recommandé d'utiliser une huile de propreté initiale de -/15/12 (ou mieux) suivant ISO 4406.

Consulter le fournisseur d'huile pour obtenir une huile de telle qualité.

**M 6.6. SELECTION DE LA GRAISSE** (voir tableau page 48)

Si le réducteur est équipé de composants exigeants de la graisse, et sauf indication contraire sur la plaque signalétique ou dans le manuel technique spécial pour le réducteur spécifique (si existant), la graisse doit être sélectionnée du tableau des graisses et des huiles minérales préconisés par les propriétaires de marques respectifs, voir page 48 de ce manuel d'entretien.

Utiliser uniquement des graisses de bonne qualité ayant une consistance NLGI grade 3. Une graisse de consistance NLGI grade 2 peut être utilisée pour lubrifier les garnitures à labyrinthe regraissables ou le cas échéant exclusivement le roulement inférieur de l'arbre petite vitesse.

Les fournisseurs des lubrifiants sont responsables pour la sélection et la composition de leurs produits.

**M 6.7. POINTS DE GRAISSAGE** (voir fig. 5)

Les points de graissage des roulements non lubrifiés par le bain d'huile et ceux des garnitures à labyrinthe sont munis de graisseurs suivant DIN 71412 et sont remplis de graisse avant livraison. Leur nombre est marqué sur la plaque signalétique. Certains antidévidreurs accolés sont lubrifiés à la graisse. Consulter le manuel approprié (ci-joint) pour de plus amples informations.

**M 6.8. VIDANGE** (voir fig. 5)

**⚠ Vidanger pendant que le réducteur est encore chaud. Prudence est requise pour la vidange d'huile chaude, utilisez un récipient adéquat.**

L'opération est facilitée en enlevant au préalable la jauge. Pour vidanger des appareils à bain d'huile volumineux, connecter à l'orifice de vidange le tuyau d'aspiration d'une pompe portable.

Pour certaines exécutions, une petite quantité d'huile reste dans la cavité au-dessous des roulements grande vitesse. Un deuxième bouchon de vidange (1) est prévu pour assurer la vidange de cette huile.

## 6.9. AERATION (voir fig. 5)

Une surpression est évitée grâce à l'utilisation d'un bouchon reniflard intégré ou non à la jauge d'huile.

**Contrôler régulièrement si le reniflard n'est pas bouché.**

## 7. REFROIDISSEMENT

**M** La chaleur produite par la friction et le barbotage dans le réducteur, sera dissipée vers l'environnement par le carter. N'augmenter pas la résistance thermique du carter. Nettoyer régulièrement la surface du réducteur.

### 7.1. REFROIDISSEMENT FORCE PAR AIR

#### 7.1.1. Ventilateurs

Un ou deux ventilateurs peuvent être montés sur les arbres du réducteur.

**!** **Avertissement**  
**Ne pas mettre le réducteur en service sans protections appropriées.**

**M** **Vérifier régulièrement que l'entrée et la sortie d'air ne soient pas bouchées.**

Les ventilateurs ne demandent pas de soins particuliers. Il suffit de les nettoyer à l'occasion.

#### 7.1.2 Systèmes de refroidissement air-huile

Le manuel d'entretien des systèmes de lubrification et de refroidissement contient l'information détaillée concernant les systèmes de refroidissement air-huile.

### 7.2. REFROIDISSEMENT FORCE PAR CIRCULATION D'EAU

Les systèmes de refroidissement par eau doivent être raccordés à un réseau d'eau non calcaire.

Voir également le manuel d'entretien des systèmes de lubrification et de refroidissement et/ou des feuilles techniques sur des instruments spécifiques. L'utilisation d'eau de mer doit être spécifiée à la commande, des refroidisseurs spéciaux sont disponibles.

**!** Lorsque un réducteur hors service risque d'être exposé au gel, il y a lieu de vidanger l'eau du refroidisseur. Le matériel nécessaire à cet effet est à prévoir par l'utilisateur.

Le débit d'eau mentionné correspond à une température d'eau de 20°C sauf mention différente sur le plan d'encombrement. Une quantité inférieure est admissible mais ceci dépend de la charge mise en oeuvre, de la température ambiante et de la température d'eau. Régler le débit de manière à ce que la température de l'huile se situe entre 60 et 80°C pendant le fonctionnement.

#### 7.2.1. Systèmes de refroidissement huile-eau

Consulter le plan d'encombrement pour connecter le refroidisseur au réfrigérant. Le manuel d'entretien des systèmes de lubrification et de refroidissement contient l'information détaillée concernant le système de refroidissement huile-eau.

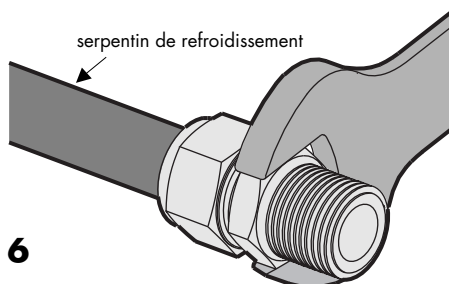
#### 7.2.2. Serpentins de refroidissement

Le sens de circulation de l'eau est facultatif au choix. Les serpentins de refroidissement se prêtent tant à l'utilisation d'eau douce qu'à d'eau de mer.

Pression d'eau maximum admissible : 8 bar.

### Raccorder le serpentin à l'alimentation d'eau.

**!** **Avertissement:** Pour éviter la torsion du serpentin, il est indispensable de maintenir la pièce de raccord avec une clef appropriée à la réalisation du raccord (voir fig. 6 ci-dessous).



**FIG. 6**

## 8. ANTIDEVIREURS

**!** Les antidéviereurs sont sujets à l'usure et seront contrôlés ou remplacés à intervalles réguliers en fonction des conditions de travail. Le client prendra toutes les précautions nécessaires pour éviter que le fonctionnement déficient de l'antidéviereur ne soit la cause de blessures et/ou de dommages importants au groupe d'entraînement et/ou à l'application.

L'interval max. entre deux inspections est de 2 ans et dépend des conditions de travail et de la fréquence du fonctionnement effectif de l'antidéviereur.

Au cas où l'antidéviereur fait partie d'un groupe de commande d'engin de levage qui est sujet à une inspection de sûreté périodique, la vérification de l'antidéviereur doit être prévue dans la procédure d'inspection.

**!** Pour les ascenseurs, l'inspection se fera suivant les instructions de la législation locale concernant l'inspection d'éléments de sécurité.

L'inspection ou le remplacement de l'antidéviereur est également requis dans les cas suivants:

- en cas de démontage du réducteur ou d'un de ses composants;
  - en cas d'usure anormale ou de rupture des engrenages, des roulements ou tout autre élément, ou en cas de constatation d'encrassement de l'huile.
- Ces incidents peuvent affecter l'état des galets et des pistes de blocage de l'antidéviereur.

Les résultats de l'inspection périodique doivent être inscrits dans le livre de bord.

**!** **Ne jamais démonter aucune partie de l'antidéviereur lorsque le réducteur est chargé: le démontage de l'antidéviereur peut provoquer l'inversion du sens de rotation du réducteur et le retour de la charge.**  
**Avant le démontage de l'antidéviereur, libérer le réducteur de sa charge et empêcher qu'il ne se produise aucun mouvement non voulu.**

### 8.1. L'ANTIDEVIREUR STANDARD INTEGRE AU REDUCTEUR

Cet antidéviereur est lubrifié par l'huile du réducteur et ne nécessite aucun entretien, sauf inspection périodique comme stipulé ci-dessus.

### 8.2. L'ANTIDEVIREUR ACCOLE AU REDUCTEUR

Au cas où le réducteur est muni d'un antidéviereur accolé, consulter le manuel de service spécifique pour réaliser l'entretien et l'inspection de l'antidéviereur.

**!** **L'inversion du sens de rotation de l'antidéviereur ne peut s'effectuer que par du personnel compétent et suivant les instructions dans le manuel de service spécifique.**

## 9. MISE EN MARCHÉ

### 9.1. TOUT REDUCTEUR

**Avant démarrage du réducteur, contrôler le niveau de l'huile en utilisant la gauche d'huile et vérifier si tous les points sont lubrifiés.**

Bien que les points de graissage aient été munis de graisse avant livraison, il est à conseiller de donner quelques coups de pompe avant de démarrer.

Contrôler également la fixation du réducteur sur sa fondation : un serrage des boulons peut être nécessaire après quelque temps de fonctionnement.

L'alignement de groupes de commande livrés sur châssis est soigneusement contrôlé avant expédition. Il importe pourtant de vérifier si le châssis n'a pas été déformé pendant le transport ou l'implantation. A cet effet, contrôler de nouveau l'alignement des accouplements ou d'autres organes après l'installation définitive.

Contrôler que tous les capots de protection et l'éventuelle coiffe de circulation d'air du ventilateur soient correctement montés.

Le réducteur peut fonctionner dans les deux sens de rotation sauf si le sens est indiqué.

### 9.2. REDUCTEUR AVEC ANTIDEVIREUR

**!** **Le client doit prendre les précautions nécessaires pour vérifier et garantir le bon fonctionnement de l'antidéviereur.**

**ⓘ Avant d'accoupler le moteur à un réducteur équipé d'un antidéviateur, vérifier que le sens de rotation de ce dernier correspond à celui du moteur.**

Pour des groupes de commande, le sens de rotation du moteur sera vérifié à l'aide d'un phase-mètre.

**L'entraînement du réducteur dans le sens de blocage - même momentanément - peut endommager l'antidéviateur, et par conséquent n'est pas admis.**

Le réducteur équipé d'un réchauffeur d'huile ne peut être mis en marche que lorsque la température d'huile est supérieure à 5°C. Le réchauffeur d'huile doit être automatiquement déconnecté quand la température d'huile est supérieure à 15°C.

La température du bain d'huile augmentera en fonction de la charge. Une température du bain d'huile de 80 à 85°C est normale pour un réducteur standard rempli d'huile minérale. Des températures occasionnelles jusqu'à 95°C sont acceptables.

### 9.3. REDUCTEUR A CIRCULATION D'HUILE FORCEE

Pour de plus amples informations concernant les éléments des systèmes de lubrification, consulter le manuel d'entretien des systèmes de lubrification ou de refroidissement ou les manuels techniques des composants.

### 9.4. REDUCTEUR ACTIONNE PAR MOTEUR A DEUX VITESSES

En cas de changement de la haute vers la basse vitesse il est indispensable que l'installation ralentisse de telle façon que le moteur puisse accélérer à l'enclenchement. Cette procédure est requise pour éviter des couples de pointe importants dus à la synchronisation.

## **M** 10. ENTRETIEN

L'entretien se limite au contrôle du niveau d'huile, au renouvellement régulier du lubrifiant, à des ajouts de graisse et au nettoyage de filtres éventuels.  
Quantité d'huile : voir paragraphe 6.4 page 19  
Vidange d'huile : voir paragraphe 6.8 page 20

**Lire également les points **M** des autres paragraphes.**

### 10.1. INSPECTION ET ENTRETIEN

**⚠ Des pièces tournantes peuvent causer des dommages.**  
**Avant inspection et entretien, toujours déclencher le groupe de commande et s'assurer que le groupe de commande soit protégé contre toute possibilité d'enclenchement ou de mouvement non voulue.**

## **M** 10.2. RENOUELEMENT DU LUBRIFIANT ET AJOUT DE GRAISSE AUX POINTS DE GRAISSAGE

### 10.2.1 DIRECTIVES GENERAL

**Manipuler toutes les huiles ou lubrifiants avec précaution et suivant les instructions de manipulation et de sécurité fournis par les fournisseurs de lubrifiant à la demande du client. Ces instructions doivent être remises au personnel qui réalise l'installation, l'entretien ou la réparation du réducteur.**

Utiliser de l'huile propre provenant d'un tonneau propre. La pénétration de particules abrasives et d'eau doit être évitée. L'huile ne peut pas contenir plus de 0,05% d'eau (dérivé selon le titrage accepté par le fournisseur d'huile).

Pour s'assurer la durée de vie des roulements requise, il est vivement recommandé d'utiliser une huile de propreté initiale de -/15/12 (ou mieux) suivant ISO 4406.

Consulter le fournisseur d'huile pour obtenir une huile de telle qualité.

**Il est recommandé de renouveler l'huile avant l'été, par conséquent le réducteur est en service avec de la nouvelle huile durant la période la plus critique où la charge thermique est plus haute.**

**Si le réducteur est pourvu d'un réchauffeur, celui-ci sera déclenché du réseau électrique avant de vidanger l'huile du réducteur.**

Vidanger l'huile pendant que le réducteur est encore chaud. Prudence pour vidanger l'huile chaude, employer un récipient approprié à l'huile chaude.

A chaque renouvellement de lubrifiant, il est recommandé de rincer le réducteur et le système de lubrification et de refroidissement correspondant avec la nouvelle huile. Vidangez l'huile fraîche utilisée. Vérifier, pour s'assurer, que les éléments du système de lubrification et de refroidissement sont bien vidangés. N'oubliez pas de remplacer la cartouche filtrante.

La procédure de renouvellement et les spécifications sont décrites dans le manuel d'entretien des systèmes de lubrification et de refroidissement et / ou dans les manuels techniques des instruments.

La cartouche en toile métallique peut être réutilisée après nettoyage approfondi dans un solvant. Des filtres jetables ne peuvent pas être nettoyés. Consulter toujours le fournisseur de lubrifiant pour la sélection des produits de rinçage.

**Les jauges d'huile externes et les voyants d'huile doivent être périodiquement vérifiés envers la jauge du réducteur.**

### 10.2.2 RENOUELEMENT D'HUILE ET AJOUT DE GRAISSE

#### Le premier renouvellement d'huile

Après 100 heures et plus tard que 800 heures de service:

- Ajouter d'abord de la graisse aux points de graissage, si d'application (voir paragraphe 10.4).

Ajouter de la graisse pendant que le réducteur est encore chaud.

- Renouveler l'huile, utiliser de l'huile propre ou réutiliser l'huile de vidange après filtrage. Filtrer le volume d'huile de vidange au moins dix fois.

Utiliser un filtre de 10 µm ou inférieure. Le filtre doit être compatible avec l'huile utilisée. N'utiliser pas le filtre du système de lubrification du réducteur.

- Renouveler la cartouche du filtre du système de lubrification, si le réducteur en est équipé.

#### Filtre (si présent)

Remplacer la cartouche filtrante toutes les 800 heures de service à moins que le filtre ait un indicateur de colmatage. Après ajout de graisse (si d'application) mettez le réducteur en service un certain temps avant de remplacer la cartouche filtrante.

#### Ajout de graisse (si des points de graissage sont présent)

**Aux roulements:** toutes les 800 heures de service, ajouter de la graisse (voir paragraphe 10.4).

**Aux garnitures à labyrinthe:** toutes les 3000 heures de service, ajouter de la graisse (voir paragraphe 10.4).

#### Les changements d'huile suivants

Après 4000 à 8000 heures de service ou max. 18 mois.

- Ajouter d'abord de la graisse au point de graissage, si présent (voir paragraphe 10.4).

Ajouter de la graisse pendant que le réducteur est encore chaud.

- Renouveler l'huile, utiliser de l'huile propre provenant d'un tonneau propre

La pénétration de particules abrasives et d'eau doit être évitée.

- Renouveler la cartouche du filtre du système de lubrification.

#### Les changements d'huile suivants et ajouts de graisse aux points de lubrification

- Ajouter d'abord de la graisse au point de graissage après 4000 heures ou max. 18 mois de service. Ajouter de la graisse pendant que le réducteur est encore chaud.

- Renouveler la cartouche du filtre après 4000 heures de service.

- Renouveler l'huile après 4000 à 8000 heures ou 18 mois de service, selon les conditions de fonctionnement.

La pénétration de particules abrasives et d'eau doit être évitée.

## **M** 10.3. ECHANTILLON D'HUILE

Lorsque les températures de régime se situent constamment entre 80 à 95°C ou en cas d'une atmosphère poussiéreuse ou humide, il est conseillé de faire analyser - après 4000 heures - un échantillon du lubrifiant par (un laboratoire reconnu par) le propriétaire de la marque d'huile qui pourra déterminer la durée de vie exacte du bain d'huile.

**n** La température du bain d'huile ne peut jamais dépasser les 95°C, car l'huile peut rapidement dégénérer à cette condition.

Un échantillon d'huile représentatif sera pris directement du bain d'huile - ouvrir le couvercle d'inspection du réducteur immédiatement après l'arrêt du réducteur - ou par vidange d'une certaine quantité d'huile (capacité de la conduite d'huile + 2 litres) au robinet de vidange ou à la conduite d'huile avant de prendre l'échantillon. Soyer certain d'utiliser des bouteilles d'échantillon propres et appropriées.

**⚠ Attention: Prudence pour vidanger l'huile chaude, employer un récipient approprié à l'huile chaude.**

**⚠ Avant la mise en service, vérifier le niveau d'huile avec la jauge du réducteur et ajouter de l'huile si nécessaire.**

#### 10.4. POINTS DE GRAISSAGE

Graisses à utiliser: voir paragraphe 6.6 (page 20).  
Quantité de graisse pour roulements: voir page 44-45.  
Quantité de graisse pour garniture à labyrinthe: voir page 46.  
Intervalles d'ajout de graisse: voir paragraphe 10.2.2.  
Pour des intervalles de lubrification plus longs: consulter HANSEN.

#### 10.5. NETTOYAGE DU RECHAUFFEUR

Si le réducteur est muni d'un réchauffeur, il est conseillé de nettoyer régulièrement (à chaque renouvellement d'huile) le réchauffeur et de le démonter de dépôts.

#### 10.6. SYSTEME D'ETANCHEITE OIL-LOCK™ SYSTEME D'ETANCHEITE OIL-GUARD™ (en option)

##### **Système d'étanchéité OIL-LOCK™ - sans entretien**

L'arbre grande vitesse est équipé comme standard d'un système d'étanchéité OIL-LOCK™. L'arbre petite et grande vitesse des réducteurs Hansen P4 à un train d'engrenage sont équipés d'un système d'étanchéité OIL-LOCK™. La bague d'étanchéité est résistante à l'usure et ne nécessite aucun entretien grâce au système d'opération centrifuge. Ce labyrinthe à double effet empêche l'entrée de poussière et d'humidité.

Le démontage de la bague OIL-LOCK™ ne peut être exécuté que par du personnel qualifié.

n

##### **Système d'étanchéité OIL-GUARD™ - en option - sans entretien**

L'arbre grande vitesse peut être équipé, en option, d'un système d'étanchéité OIL-GUARD™. Ce système comprend une bague conique en rotation tout près du carter usiné. Cette bague fonctionne comme un pompe centrifuge. Cette bague se situe entre le bain d'huile et la bague d'étanchéité radiale. En service, même sous état d'immersion, l'étanchéité OIL-GUARD™ assure un service sans fuite d'huile.

Le démontage de la bague OIL-GUARD™ ne peut être exécuté que par du personnel qualifié.

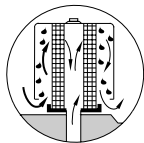
#### 10.7. REDUCTEUR HORS SERVICE PENDANT UNE PERIODE PROLONGEE

⚠ Lorsque, après installation sur site, le réducteur est à l'arrêt pendant une période prolongée, le film d'huile protectif disparaît petit à petit et les surfaces intérieures risquent d'être sujettes à la formation de rouille.

Ce risque dépend fortement des conditions ambiantes (milieu humide, maritime, tropical, ou un milieu chimique agressif).

L'état des composants intérieurs doit être contrôlé périodiquement. A cet effet il faut effectuer une inspection visuelle par le couvercle de contrôle du réducteur.

Afin d'éviter le risque de corrosion il y a lieu de faire tourner le réducteur pendant quelques minutes tous les quinze jours (la fréquence dépend des conditions ambiantes), permettant ainsi la formation d'un nouveau film d'huile. Monter un reniflard spécial (marqué par l'autocollant indiqué ci-dessous) pour éviter la pénétration d'humidité dans le réducteur.



Au cas où le risque de formation de rouille est élevé et s'il n'est pas possible de faire tourner le réducteur régulièrement, les mesures de protection suivantes sont à prendre durant la période prolongée hors service:

- ajouter à l'huile, pour obtenir une concentration de 2%, un liquide soluble dans l'huile et contenant des substances anti-corrosives qui sont actives tant à l'état fluide que gazeux. Consulter le fournisseur d'huile concernant la durée de vie, la concentration requise et la compatibilité du liquide avec l'huile utilisée.
- toutes les ouvertures du réducteur (jauge d'huile, reniflard etc. ) doivent être fermées hermétiquement.

⚠ **Avant la remise en marche: lisez les chapitres 9 et 10, libérez les joints hermétiques.**

#### 10.8. SERVICE APRES VENTE

Pour assistance technique et informations supplémentaires, les centres de vente HANSEN sont à votre disposition. En les contactant, veuillez communiquer le type complet et le numéro de fabrication mentionnés sur la plaque signalétique du réducteur.

#### 10.9. REPARATIONS

Toute réparation doit être exécutée par du personnel qualifié. Uniquement des pièces originales HANSEN peuvent être utilisées.

⚠ Aucun produit ou substance ne peut être utilisé dans le réducteur qui, après remise en marche du réducteur, pourrait emporter dans l'huile des composants étrangers (comme en particulier des additifs solides ou des additifs réduisant la friction entre tout autres produits).

## GEGENSTAND

Diese Betriebsvorschrift ist eine Anleitung für Lagerung, Aufstellung, Betrieb, Schmierung und Wartung der **Hansen P4** Normgetriebe.  
Für zusätzliche Auskunft, steht ein HANSEN Vertriebsnetz zu Ihrer Verfügung (S. 2-3).

**Das für die Handhabung, Lagerung, Aufstellung, Inbetriebnahme, Kontrolle und Wartung des Antriebs eingesetzte Personal muss für industrielle mechanische und ggf. elektrische Ausrüstungen qualifiziert sein.**

## 1. ALLGEMEINES

### 1.1. ALLGEMEINE ANWEISUNGEN

Lesen Sie diese Betriebsanleitung vor dem Einbau des Getriebes bitte sorgfältig durch. Eine genaue Befolgung der Anweisungen garantiert Ihnen einen langen und einwandfreien Betrieb.  
Überprüfen Sie zunächst, ob das Material den Versanddokumenten entspricht und keine Transportschäden aufweist. Benachrichtigen Sie HANSEN bitte sofort bei Mängeln, Schäden oder fehlenden Teilen.

#### 1.1.1. Sachmängelhaftung

Die in den "Allgemeine Verkaufsbedingungen" aufgeführte Haftung gilt nur für Getriebe, die gemäß den Vorschriften dieser Betriebsanleitung und sonstigen Anleitungen die ggf. mit dem Getriebe mitgeliefert sind, installiert und gewartet wurden und die entsprechend den in der Auftragsbestätigung und auf den Maßzeichnungen erwähnten Betriebsbedingungen eingesetzt werden.

Die Haftung erlischt jedoch, wenn sich herausstellen sollte, daß der Schaden die Folge des nicht Beachtens der Vorschriften, einer unfachmännischen Schmiermittelwahl oder einer mangelhaften Wartung ist.  
Diese Haftung bezieht sich also auf alle Getriebeteile bzw. alle zum Getriebe gehörenden Teile, ausgenommen Verschleißteile.

#### 1.1.2. Sicherheit


**Es ist nicht gestattet, das Getriebe für andere Anwendungszwecke oder in anderen Betriebsumständen als für die, wofür es bestellt wurde, zu benutzen.**

**Der Benutzer ist verantwortlich für die fachgemäße Aufstellung der gesamten Ausrüstung und für die Beistellung der Schutzhauben und anderer Sicherheitsvorrichtungen, die den örtlichen Sicherheitsvorschriften entsprechen.**

Heizungselemente, Kühl-, Sicherheits- und Überwachungssysteme, die von HANSEN zu dem Getriebe mitgeliefert werden, müssen wie in den betreffenden Dokumenten beschrieben, montiert und angeschlossen werden.

#### Einige Dichtungen in einem Zahnradgetriebe können Material FKM<sup>1</sup> enthalten (Handelsnamen z.B. Viton<sup>®</sup> 2 und Fluorel<sup>®</sup> 3).


**Wenn die Dichtungen die FKM Material enthalten, hohen Temperaturen ausgesetzt worden sind (z.B. falls von einem Feuer oder wenn ein Lager sehr nah an der Dichtung massive Beschädigung erfahren hat) können in hohem Grade ätzende organische Fluoride erzeugt worden sein und Kontakt mit der Haut muss zu aller Zeit vermieden werden.**

 **Da es nicht immer sicher ist, ob das benutzte Material tatsächlich FKM ist, wird es stark empfohlen jede Dichtung, die hohen Temperaturen ausgesetzt worden ist, mit extremer Obacht anzufassen und die notwendigen Vorsichtsmaßnahmen zu treffen (\*).**

1: FKM ist die Abkürzung für "Fluoroelastomer"

2: Viton<sup>®</sup> ist ein geschütztes Warenzeichen von Dupont-Dow

3: Fluorel<sup>®</sup> ist ein geschütztes Warenzeichen von Dyneon (3M)

 **Extraktion von "handling precautions for Viton<sup>®</sup> and related chemicals", technical information" (Vorsichtsmaßnahmen für Viton<sup>®</sup> und ähnlicher Chemikalien), technische Informationen von Dupont-Dow**

### Vorsichtsmaßnahmen im Falle eines Brandes

Bei Falle eines Brandes können unter anderem bei Viton giftige Produkte(\*\*) erzeugt werden.

Das Personal, das Feuer bekämpft muß Gesichtsmasken und ein Atemschutzgerät tragen. Ungeschütztes Personal muss den Gefahrenbereich sofort verlassen. Jeder, der ungeschützt Dämpfen von Feuer ausgesetzt wurde sollte der Frischluft zugeführt und von einem Arzt behandelt werden.

Jeder, der Überreste des von Feuer betroffenen Viton Polymer Kunststoffes oder Teile von Viton berührt muss Neoprenhandschuhe tragen. Hautkontakt mit diesen vielleicht in hohem Grade ätzenden Überresten, die wahrscheinlich Wasserstoff-Fluorid beinhalten, ist zu vermeiden. Handschuhe aus Polyvinylchlorid (PVC) können benutzt werden wenn die Temperatur der Überreste unterhalb des Schmelzpunktes der Handschuhe liegt. Solche Überreste müssen durch Waschen mit Kalkwasser (Kalziumhydroxidlösung) desinfiziert werden und auf die gleiche Art und Weise wie Viton Polymer Plastik vorzugsweise im Erdboden entsorgt werden.

Die Beseitigungsmethode muss den staatlichen, nationalen und regionalen Regeln entsprechen.

Das Verbrennen von Viton wird nicht empfohlen, es sei denn durch einen überwachenden, genehmigten Einäscherungsprozess. In diesem Fall müssen die Abgase alkanisch gereinigt werden. Die Handschuhe sind nach Gebrauch zu entsorgen.

(\*\*) Substanzen, die durch Verbrennung von Viton<sup>®</sup> freigegeben werden  
Kohlenmonoxid (CO) "Fluoroform" (CHF<sub>3</sub>)  
Kohlendioxid (CO<sub>2</sub>) "Vinylidene Fluorid" (H<sub>2</sub>C<sub>2</sub>CF<sub>2</sub>)  
Wasserstoff-Fluorid (HF) "Hexafluorpropylene" (C<sub>3</sub>F<sub>6</sub>)  
Karbonyl-Fluorid(COF<sub>2</sub>) Niedermolekulare Gewicht  
"fluocarbon" Fragmente

### 1.2. ALLGEMEINE DATEN


Allgemeine Daten wie Abmessungen, Gewicht, und Anschlußdiagramme sind der betreffenden Maßzeichnung und/oder den Katalogen für die Hansen P4 Normgetriebe zu entnehmen.

### 1.3. KENNZEICHNUNG

Jedes Getriebe ist mit einem Typenschild versehen. Auf diesem Typenschild sind u.a. der vollständige Getriebetyp, die Herstellungsnummer, die Leistungen und/oder das Drehmoment, Drehzahlen und Schmierangaben aufgeführt.

Sollten sich Fragen zu dem gelieferten Getriebe ergeben, so muß stets der vollständige Getriebetyp und die Herstellungsnummer angegeben werden. Anhand dieser Daten kann man bei HANSEN genau feststellen, um welches Getriebe es sich handelt.

## 2. LIEFERUNG


 Jedes Getriebe wird vor dem Versand von der QUALITÄTSKONTROLLE-ABTEILUNG mit den Bestellaangaben überprüft. Zu diesem Zweck werden die Getriebe mehrere Stunden lang einem unbelasteten Probelauf unterzogen, wobei die spätere Aufstellungsart und die auf dem Typenschild erwähnten Drehzahlen berücksichtigt werden.


### 2.1. GETRIEBE BEI LIEFERUNG

Wenn nicht anders bestellt, werden die Getriebe unverpackt, eventuell auf Paletten befestigt und durch eine Lattenkiste geschützt zum Versand gebracht. Ggf. gesondert mitgelieferte Teile, wie Ersatzelemente für Filter, sind vom Verwender zu montieren (siehe auch Abschnitt 5. AUFSTELLUNG, S.26).

 **Die HANSEN P4 Getriebe werden ohne Ölfüllung geliefert.**

Alle Fettschmierstellen werden jedoch vor dem Versand mit Fett gefüllt.

 **Falls das Zahnradgetriebe nach Ablieferung durch Hansen, weiter transportiert wird, muss Transport durch Zug vermieden werden.**

 **Wenn die Getriebe mit dem Zug transportiert werden sollen, dann müssen die notwendigen Vorsichtsmaßnahmen durch den Transporteur getroffen werden, um Beschädigung (Falscher Brinell-Effekt) von Zahnradern und Lagern zu vermeiden.**

### 2.2. ANSTRICH

Als Standard-Außenanstrichsystem für HANSEN Getriebe wird eine Epoxid-Grundfarbe, Farbton RAL 5021 (wasserblau), mit hohem Festkörpergehalt verwendet.

Dieser Anstrich bietet einen 5-jährigen Schutz wenn das Getriebe Innen aufgestellt ist und keinen feuchten oder aggressiven Umgebungseinflüssen ausgesetzt ist.

Überstreichen mit den meisten Farben auf Alkyd-, Epoxid- oder Polyurethanharzbasis ist möglich.



**2.3. SCHUTZ**

Die Getriebe-Innenflächen werden mit einem rostschützenden Mineralöl besprüht. Die Entlüftungsschraube (Standard, staubdicht oder für feuchte Umgebung) wird weder entfernt noch verschlossen. Die Wellenzapfen werden mit einem rostschützenden Fett auf Mineralbasis eingestrichen und mit Ölpapier geschützt. Die Hohlwellen und sämtliche blanken, bearbeiteten Flächen werden mit einem wachartigen Rostschutzmittel behandelt. Dieses Standardschutzsystem bietet einen ausreichenden Korrosionsschutz für Transport und/ oder eine 12 monatige Lagerung, in einem geschlossenen Raum.

**3. LAGERUNG**

**!** Das Getriebe in der Originalverpackung lagern. Das Getriebe darf niemals in der Nähe von vibrierenden Maschinen gelagert werden, so daß kein Vibrationsverschleiß der Lager auftreten kann.

**3.1. KURZFRISTIGE LAGERUNG**

**IN EINEM GESCHLOSSENEM RAUM**

Max. zwei Jahre in einem trockenen und gelüfteten Bereich. Die Schutzmittel dürfen nicht entfernt werden.

**IM FREIEN**

Max. 6 Monaten im Freien. Das Getriebe mit einer kleinen Menge Mineralöl mit einem rostschützenden verflüchtigenden Additiv füllen und alle Öffnungen des Getriebes (Ölstopfschraube, Entlüftungsschraube, Heizelement) hermetisch verschließen. Es muss hermetisch verschlossen während der Handhabung und des Transportes bleiben.

**3.2. LANGFRISTIGE LAGERUNG**

**IN EINEM GESCHLOSSENEM RAUM**

Max. fünf Jahre in einem trockenen und gelüfteten Bereich. Falls die Getriebe während einer Periode bis 5 Jahre in einem trockenen und gelüfteten Bereich gelagert werden, müssen die Getriebe mit einer kleinen Menge Mineralöl mit einem rostschützenden verflüchtigenden Additiv wieder gefüllt werden nach dem zweiten und vierten Jahr. Der Korrosionsschutz der Wellenzapfen muss überprüft werden - ggf. erneuert werden. Bei dieser Gelegenheiten muss die Schnelldrehende Welle gedreht werden, bis die langsamdrehende Welle 2 komplette Umdrehungen ausgeführt hat. Nachher muss das Getriebe hermetisch wieder versiegelt werden.

**n** **IM FREIEN**

Max. zwei Jahre im Freien, in einer hermetische verschlossenen Folie und in einer seeauglichen Kiste verpackt.

**ACHTUNG**

Alle Getriebe behandelt und verpackt für langfristige Lagerung haben den folgenden Aufkleber mit Vorsicht und Anweisungen.

**ACHTUNG**

Dieses Getriebe enthält ....Liter flüchtiges Rostschutzöl.

UM DAS ENTWEICHEN DER SCHUTZDÄMPFE BIS INBETRIEBNAHME ZU VERMEIDEN, BITTE LAGERN SIE DAS GETRIEBE IN VERSANDBEREITEM ZUSTAND UND HALTEN SIE ES HERMETISCH VERSCHLOSSEN.

**BEVOR INBETRIEBNAHME**

- Roten Stöpsel ersetzen durch beiliegenden Ölmeßstab und Entlüftungsschraube (Filter oder Schraube).
- Rostschutzöl ablassen und das Getriebe mit der genauen Menge des vorgeschriebenen Getriebeöls füllen (Sehen Sie bitte auch die Wartungsvorschriften).

**!** Das Getriebe wird vorzugsweise mit dem empfohlenen Getriebeöl gespült. Bei Bedarf den Öllieferanten um Auskunft bitten. Siehe Punkt 6.5, Seite 30: Ersten Öllfüllung Siehe Kapitel 9, Seite 31: Inbetriebnahme

**n** **Berühren Sie jedes Öl oder Schmiermittel mit Sorgfalt und entsprechend den Behandlungs- und Sicherheitsvorschriften, des Schmiermittellieferanten (auf Anfrage des Kunden zu besorgen). Diese Vorschriften müssen jedem möglichem Personal überreicht werden, das Aufstellung, Wartung oder Reparatur dem Zahnradgetriebe durchführt.**

**n** **Öffnen Sie das Getriebe nicht nahe Flammen, Funken oder heißen Gegenständen und ergreifen Sie vorbeugende Vorsichtsmaßnahmen um Leute gegen die flüchtige korrosionsschützende Substanz zu schützen.**

**4. TRANSPORT**

Die **Hansen P4** Getriebe sind einfach zu handhaben und aufzustellen dank der ovalen Hebeaugen bei den horizontalen Einbaulagen und der Ringmutter oder der integrierten Stangen bei den vertikalen Einbaulagen. Immer alle vorgesehenen Hebeaugen und geeignete Werkzeuge verwenden damit eine korrekte Lastverteilung gesichert sei.

**!** **Gebrauchen Sie angebrachte Ringmutter oder bringen Sie passende Ringmutter in Gehäusefüße an. Die Ringmutter dürfen nicht entfernt werden und müssen zum Heben des Getriebes komplett eingeschraubt sein. Die Getriebe dürfen niemals an den Wellen oder an der Motorlaterne angehoben werden.**

**Ringmutter angebracht zum Getriebe**

Max. Kraft auf Ringmutter (kN)	M16	M20	M22	M24	M27	M30	M33
	7	12	15	18	26	36	36
	4	7	8,7	10	15	20	20
	3,5	6	7,6	9	13	18	18

**Horizontale Einbaulagen**

**- Einstufige Getriebe (Typ QHP.1)**

Benutzen Sie nur das integrale Hebeauge und entsprechende Heberingmuttern in den Gehäusefüßen

Gehäusegröße	C	D	E	F	G
Seite langsamdr. Welle	M22	M27	M27	M33	M33
Seite schnelldr. Welle	Nur das integrale Hebeauge benutzen				

**- Mehrstufige Getriebe (Typ QH...)**

Nur die ovalen Hebeaugen benutzen

**Vertikale Einbaulagen**

**- 2-stufiges Getriebe (Typ QV..2)**

Gehäusegröße	C	D	E	F	G	H
Seite langsamdr. Welle	M16	M16	M20	M24	Nur die ovalen Hebeaugen benutzen	
Seite schnelldr. Welle	M20	M24	M24	M30		

**- 3-stufiges Getriebe (Typ QV..3)**

Gehäusegröße	C	D	E	F	G	H
Seite langsamdr. Welle	M16	M16	M20	M24	M30	M30
Seite schnelldr. Welle	M16	M20	M24	M24	M30	M30

**- Für Getriebe (Typ QV...) Gehäusegröße J bis T:**

Nur die integrierten Stangen benutzen

**!** Besonders vorsichtige Behandlung erfordern Getriebe mit Pumpenschmierung. In gewissen Fällen ist es zweckmäßig, Thermometer, Manometer und einige Rohrleitungen zu demontieren. Es ist dafür zu sorgen, daß keine Fremdkörper in das System gelangen.

## 5. AUFSTELLUNG

### 5.1. MONTAGE VON ZUBEHÖR

Die Paßfedernuten in den metrischen Wellenzapfen werden gemäß DIN 6885 "Blatt 1 - Form N1 oder N3" ausgeführt. Gewindebohrungen in diesen Wellen müssen DIN 332 Teil 2 Form D entsprechen.

Die Kupplungen müssen mit Preßsitz, gemäß den Spezifikationen, an den Wellen montiert werden. Im Zweifelsfall, bei HANSEN nachfragen.

Die Paßfedernuten in den Zoll-Wellenzapfen werden gemäß USAS B17.1-1967 ausgeführt.

Empfohlene Toleranzen für Bohrungen:

- 0.0005" bis - 0.001" für Durchmesser  $\leq 1 \frac{1}{2}$ "
- 0.001" bis - 0.002" für Durchmesser  $> 1 \frac{1}{2}$ "

Entfernen des Schutzmittels von den Wellenzapfen und Überprüfen der Passung und der Höhe der Paßfedernut in dem zu montierenden Element. Es genügt wenn das zu montierende Element auf 80-100°C erwärmt wird. Die Gewindebohrung in der Welle kann zur Erleichterung der Montage benutzt werden.

### ! Um Lagerbeschädigung vorzubeugen, ist das Aufziehen durch Hammerschläge zu vermeiden.

Starre Kupplungen dürfen nur verwendet werden, wenn es sich um freitragende Wellen handelt, wie z.B. bei Rührern oder Belüftern und bei Ausführungen mit Drehmomentsstütze.

### ! 5.2. AUSSENLASTEN

Wenn das Getriebe Außenlasten ausgesetzt ist, ist es zweckmäßig Anschläge an den Füßen anzubringen um ein Verschieben des Getriebes zu verhindern.

Bauteile, die Radialkräfte an der Welle ausüben, müssen möglichst nah am Gehäuse montiert werden.

Vermeiden Sie eine zu große Spannung bei einem Riemenantrieb, der auf der schnell oder langsam drehenden Welle montiert ist. Bei Antriebsgruppen, die aus einem Motor, einem Riemenantrieb und einem Untersetzungsgetriebe bestehen, wird die Spannung der Riemen werkseitig eingestellt. Nach einer Betriebszeit von 24 Stunden ist die Riemenspannung zu überprüfen.

Kettentriebe sind ohne Vorspannung zu montieren.

Wenn ein Ritzel auf das Wellenende montiert wird, muß das erforderliche Spiel zwischen Ritzel und Zahnrad eingestellt werden bei gleichzeitiger Kontrolle des Tragbildes.

### 5.3. EINBAU

#### 5.3.1. Aufstellung

### ! Die Einbauposition, die bei der Bestellung des Getriebes angegeben wurde, muß unbedingt eingehalten werden.

Diese Position darf nicht ohne vorherige Rückfrage an HANSEN geändert werden, da eine Anpassung der Schmiereinrichtungen notwendig sein könnte.

### ! 5.3.2. Ausrichtung

Das Getriebe möglichst genau antriebs- und abtriebsseitig ausrichten; zu beachten sind die Grenzwerte: 5 mm pro 1 m (5/32 Zoll pro 3 Fuß oder 5 mrad oder 17 Minuten) oder die Grenzwerte, die auf der Maßzeichnung für nicht waagerechte Einbaulagen angegeben werden. Der max. zulässige Ausrichtungsfehler hängt ab von der Art der auf die Wellenenden montierten Kupplungen: siehe Vorschriften über die verwendete Kupplung. Nähere Einzelheiten sind den Anweisungen bezüglich der Kupplung zu entnehmen.

Das Ausrichten des Getriebes erfolgt anhand von 3 Befestigungspunkten. Anschließend müssen die anderen Befestigungspunkte, je nach der Größe des Gehäuses, mit Unterlegscheiben bis auf 0,1 bis 0,2 mm genau unterlegt werden.

### 5.4. SICHERUNG DER VOLLWELLENGETRIEBE

### ! Das Getriebe muss auf einer starren und stabilen Bettplatte oder Fundament montiert werden, um Schwingungen und eine mögliche Überbeanspruchung der Befestigungsklammern des Gehäuses zu vermeiden.

Verwenden der auf der Maßzeichnung angegebenen Befestigungspunkte.

Nach einwandfreier Ausrichtung des Getriebes und nachdem überall die Unterlegscheiben angebracht worden sind muß das Getriebe fest mit dem Fundament verschraubt werden.

Bolzenklasse 8.8 gemäß DIN 267 oder SAE-Klasse 5 für Bolzen  $\leq 1 \frac{1}{2}$ "; gemäß ASTM.A-354-Klasse BC für Bolzen größer als  $1 \frac{1}{2}$ ". Abmessungen und Anziehmomente: siehe Tabelle.

Achtung: für bestimmte horizontale Ausführungen mit parallelen Wellen und Lüftern, muß zum Anziehen der Bolzen erst die Schutzhaube des Lüfters demontiert werden. Danach die Schutzhauben wieder montieren.

#### 5.4.1. Anziehmoment für Stahlbolzen Klasse 8.8

##### Horizontale Einbaulagen

##### - Einstufige Getriebe (Typ QHP.1)

Gehäusegröße	C	D	E	F	G
Schraubengröße ISO Klasse 8.8	M20	M24	M24	M30	M30
Anziehmoment Nm	335	675	675	1350	1350
Schraubengröße Klasse 5	UNC 3/4"	7/8"	1"	1 1/8"	1 1/4"
Anziehmoment lbf.in	2950	4850	6000	10300	12000

##### - Mehrstufige Getriebe (Typ QH...)

Gehäusegröße	A	B	C	D	E-F	G-H-J-K	L-M	N-P-Q	R-S-T
Schraubengröße ISO Klasse 8.8	M16	M20	M24	M24	M30	M36	M42	M48	M56
Anziehmoment Nm	180	335	675	675	1350	2350	3800	5700	9150
Schraubengröße Klasse 5 / Klasse BC	UNC 5/8"	3/4"	7/8"	1"	1 1/4"	1 1/2"	1 3/4"	2"	2 1/4"
Anziehmoment lbf.in	1550	2950	4850	6000	12000	21000	33650	50750	81050

##### Vertikale Einbaulagen

##### - Getriebe (Typ QV...)

Gehäusegröße	A	B	C	D	E	F-G(1)	G(2)-H-J-K	L-M-N-P-Q	R-S-T
Schraubengröße ISO Klasse 8.8	M16	M20	M24	M30	M30	M36	M42	M48	M56
Anziehmoment Nm	180	335	675	1350	1350	2350	3800	5700	9150
Schraubengröße Klasse 5 / Klasse BC	UNC 5/8"	3/4"	1"	1 1/8"	1 1/4"	1 1/2"	1 3/4"	2"	2 1/4"
Anziehmoment lbf.in	1550	2950	6000	10300	12000	21000	33650	50750	81050

(1) Baugröße G : 2-stufiges Getriebe

(2) Baugröße G : 3- und 4-stufiges Getriebe

#### 5.4.2. Anziehmoment für rostfreie Stahlbolzen Klasse 80

##### Horizontale Einbaulagen

##### - Einstufige Getriebe (Typ QHP.1)

Gehäusegröße	C	D	E	F	G
Schraubengröße ISO Klasse 80	M20	M24	M24	M30	M30
Anziehmoment Nm	340	Auf Anfrage			
Schraubengröße Klasse 5	UNC 3/4"	7/8"	1"	1 1/8"	1 1/4"
Anziehmoment lbf.in	3000	Auf Anfrage			

##### - Mehrstufige Getriebe (Typ QH...)

Gehäusegröße	A	B	C	D	E-F	G-H-J-K	L-M	N-P-Q	R-S-T
Schraubengröße ISO Klasse 80	M16	M20	M24	M24	M30	M36	M42	M48	M56
Anziehmoment Nm	185	340	Auf Anfrage						
Schraubengröße Klasse 5 / Klasse BC	UNC 5/8"	3/4"	7/8"	1"	1 1/4"	1 1/2"	1 3/4"	2"	2 1/4"
Anziehmoment lbf.in	1650	3000	Auf Anfrage						

##### Vertikale Einbaulagen

##### - Getriebe (Typ QV...)

Gehäusegröße	A	B	C	D	E	F-G(1)	G(2)-H-J-K	L-M-N-P-Q	R-S-T
Schraubengröße ISO Klasse 80	M16	M20	M24	M30	M30	M36	M42	M48	M56
Anziehmoment Nm	185	340	Auf Anfrage						
Schraubengröße Klasse 5 / Klasse BC	UNC 5/8"	3/4"	1"	1 1/8"	1 1/4"	1 1/2"	1 3/4"	2"	2 1/4"
Anziehmoment lbf.in	1650	3000	Auf Anfrage						

(1) Baugröße G : 2-stufiges Getriebe

(2) Baugröße G : 3- und 4-stufiges Getriebe

Die Ausrichtung von Antriebsgruppen, die auf einem Rahmen montiert sind, wird vor dem Versand sorgfältig geprüft. Dennoch sollte überprüft werden, ob der Rahmen während des Transportes oder beim Einbau nicht verformt wurde. Zu diesem Zweck ist die Ausrichtung der Kupplungen oder anderer Elemente nach endgültiger Aufstellung der Antriebsgruppe erneut zu überprüfen.

**5.5 SICHERUNG DER HOHLWELLENGETRIEBE**

**5.5.1. Hohlwellengetriebe mit Schrumpfscheibe**

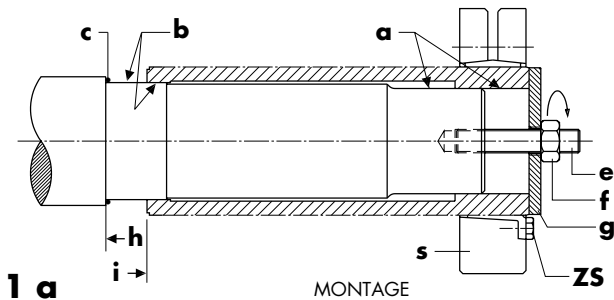
**Die von HANSEN gelieferte Schrumpfscheibe ist einbaufertig.**

Vor der ersten Montage nicht auseinandernehmen.  
Der HSD-Typ ist die standardmäßige Ausführung (Abb. 1c).  
Auf Wunsch kann der SD-Typ geliefert werden (Abb. 1d).

**Montage** (Abb. 1a)

- Berührungsflächen (a) und (b) reinigen und entfetten.
- Berührungsfläche (b) **auf keinen Fall Berührungsfläche (a)** mit Molykote D321R oder einem gleichwertigen Schmiermittel einfetten.
- Nachdem das aufgetragene Schmiermittel gehärtet ist, den O-Ring (c) auf die Welle schieben.
- Das Getriebe mit Hilfe eines Gewindestiftes (e), einer Mutter (f) und einer Druckscheibe (g) auf die angetriebene Welle aufziehen, bis die Flächen (h) und (i) gegeneinanderliegen.
- Schrumpfscheibe (s) montieren. Die Position der Schrumpfscheibe ist mittels einer Positionierrippe auf der Welle angegeben. Die Schrauben (ZS) mit einem Drehmomentenschlüssel anziehen.  
Das erforderliche Anziehmoment für den HSD-Typ ist aus der Tabelle 1 zu entnehmen; für den SD-Typ ist es auf der Maßzeichnung angegeben.

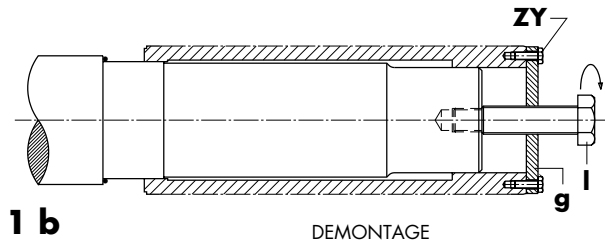
**ACHTUNG:** Die Schrauben der Schrumpfscheibe dürfen niemals angezogen werden, wenn die Schrumpfscheibe nicht montiert ist.



1 a

MONTAGE

ABB. 1



1 b

DEMONTAGE

**HSD-Typ** (Abb. 1c)

Anziehmomente (TA) : siehe Tabelle 1 und Leistungsschild (p).  
Wenn die beiden Frontflächen (o und n) in einer Linie liegen, haben die Schrauben die richtige Vorspannung.

**SD-Typ** (Abb. 1d)

Anziehmomente: siehe Leistungsschild (p) und Maßzeichnung.  
Entfernen der für den Transport zwischen den Außenringen (o) angebrachten Distanzringe. Zu beachten ist, daß die beiden Außenringe während der Montage und des Anziehens der Schrauben parallel bleiben.

**HSD + SD-Typen**

- Die Schrauben (ZS) schrittweise der Reihe (q) nach anziehen, bis das maximale Anziehmoment (TA) erreicht wird. Die Schrauben nicht über Kreuz anziehen.
- Schutzhaube anbringen.

**Befestigung bei axialer Belastung**

Falls die axiale Belastung nicht vom Absatz der Maschinenwelle aufgenommen wird, ist eine Druckscheibe (g) (siehe Abb. 2b, S.28) vorzusehen.

**Demontage** (Abb. 1b)

- Gleichmäßig alle Schrauben (ZS) (Abb. 1c/1d) der Reihe nach lösen, jeweils mit einer Viertelumdrehung.

- Falls sich die Innen- und Außenringe des HSD-Typs nicht von selbst lösen, einige Schrauben entfernen und diese in die Gewindelöcher (r) (Abb.1c) des Innenringes einschrauben, um die beiden Ringe zu trennen.
- Die Schrumpfscheibe von der Hohlwelle entfernen.
- Die Druckscheibe (g) mittels Bolzen (ZY) auf der Hohlwelle befestigen. (Abmessungen für ZY: siehe Maßzeichnungen)
- Die Abdruckschraube (l) in die Gewindefzentrierung der Druckscheibe (g) einschrauben.
- Durch Anziehen der Schraube (l) das Getriebe von der Antriebswelle entfernen.

**Achtung:**

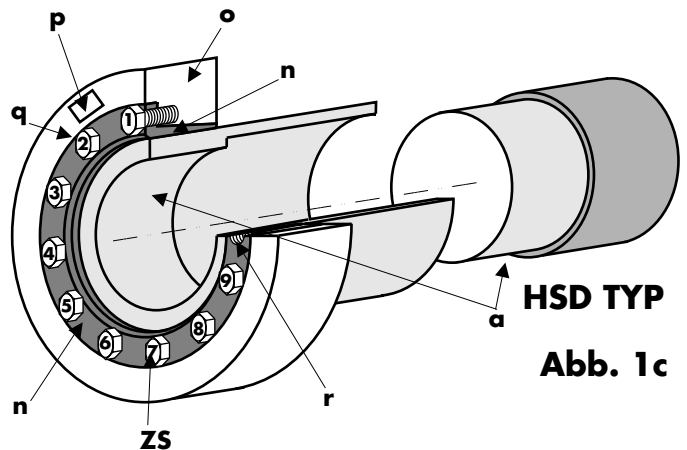
Die Bauteile e,f,g,l und ZY gehören nicht zu unserem Standardlieferumfang (sie können auf Wunsch geliefert werden.)  
Zusätzliche Daten sind dem Katalog oder der Maßzeichnung zu entnehmen.

**Reinigung und Schmierung**

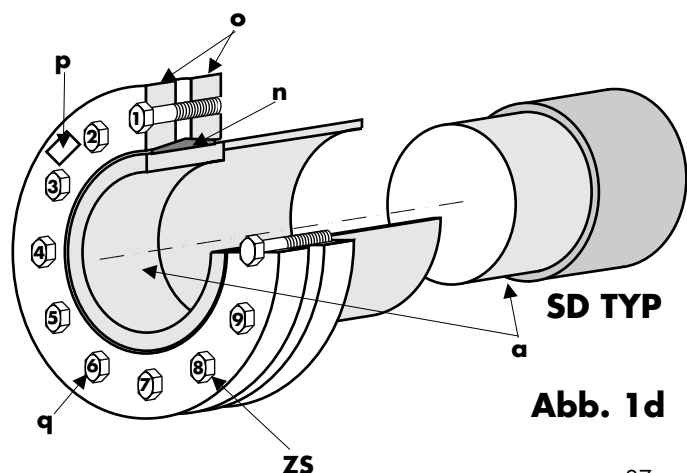
Bei Wiederverwendung brauchen die ausgebauten Schrumpfscheiben zum Reinigen und Schmieren nicht in Einzelteile zerlegt zu werden, es sei denn die Arbeitsumgebung war sehr schmutzig.  
Nach der Reinigung die Kegelflächen mit einem festen Schmierstoff mit einem Reibungskoeffizienten von 0,04 (z.B. mit Molykote D321R oder einem gleichwertigen Schmiermittel) einfetten.

Tabelle 1: nur für HSD-Typ

Schrumpfscheiben	TA Nm	TA lbf.in
HSD 110-81x110	121	1070
HSD 125-81x125	121	1070
HSD 140-81x140	193	1700
HSD 165-81x165	295	2600
HSD 185-81x185	295	2600
HSD 220-81x220	570	5000
HSD 240-81x240	570	5000
HSD 260-81x260	570	5000
HSD 280-81x280	570	5000
HSD 320-81x320	980	8600
HSD 340-81x340	980	8600
HSD 360-81x360	980	8600
HSD 390-81x390	1450	12800
HSD 420-81x420	1450	12800
HSD 440-81x440	1450	12800
HSD 480-81x480	1450	12800
HSD 500-81x500	1970	17400
HSD 530-81x530	1970	17400



HSD TYP  
Abb. 1c



SD TYP  
Abb. 1d

**5.5.2. Hohlwellengetriebe mit Paßfederverbindung**

**! Montage** (Abb. 2a)

- Die Paßflächen (b) der Maschinenwelle mit Montagepaste einreiben.
- Den O-Ring (c) auf die Maschinenwelle aufschieben.
- Die mitgelieferte Paßfeder (d) in die Nute der Maschinenwelle einschieben, so daß der Absatz an dem Wellenspiegel anliegt.
- Das Getriebe auf die Maschinenwelle setzen. Darauf achten daß die Paßfedernuten gegeneinander positioniert sind.
- Das Getriebe mit Hilfe einer Gewindestange (e), einer Mutter (f) und einer Druckscheibe (g) auf die Welle aufziehen bis die Montagepaßfeder (d) und die Druckscheibe (g) in Kontakt sind.
- Die Mutter (f), die Druckscheibe (g) und die Montagepaßfeder (d) entfernen.
- Überprüfen ob die Paßfeder (m) (Abb. 2b) an der Oberseite genügend Spiel hat.
- Die Paßfeder (m) (≠ Montagepaßfeder) einsetzen.
- Die Druckscheibe (g) und die Mutter (f) wieder montieren.
- Das Getriebe weiter auf die Welle aufziehen bis die Flächen (h) und (i) anliegen.
- Die Mutter (f), die Druckscheibe (g) und die Gewindestange (e) entfernen.

**Befestigung** (Abb. 2b)

- Die Druckscheibe (g) neu montieren und an der Maschinenwelle mit den vorgesehenen Befestigungsbolzen (J) befestigen.
- Den Schutzdeckel (k) montieren.

**n** Falls axiale Aussenlasten auf der Welle angreifen, sind die auf der Masszeichnung vermerkten Sonderrichtlinien zu berücksichtigen.

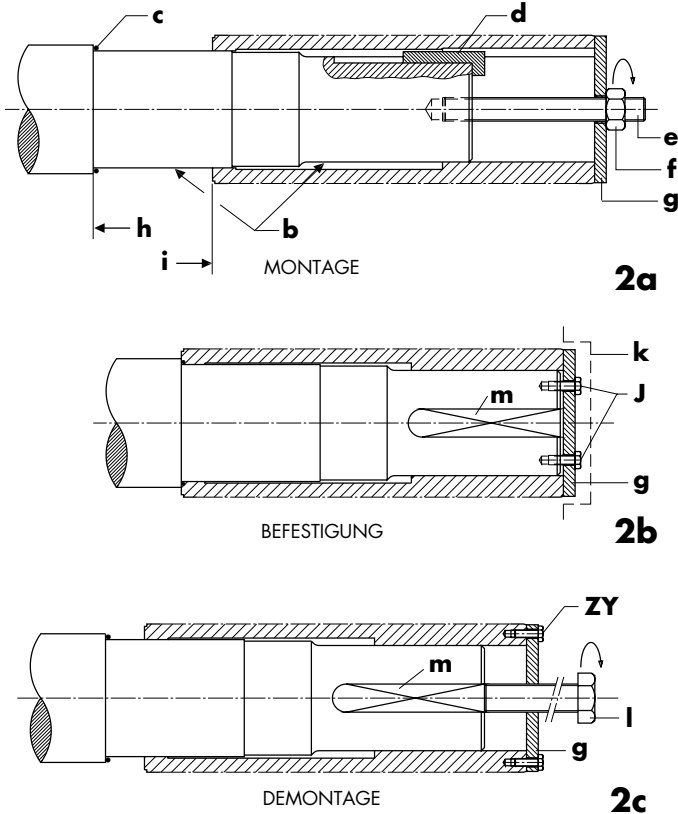
**Demontage** (Abb. 2c)

- Schutzdeckel (k) (Abb. 2b) abnehmen und Befestigungsbolzen (J) (Abb. 2b) herauschrauben.
- Die Druckscheibe (g) mittels Bolzen (ZY) auf der Hohlwelle befestigen. (Abmessungen für ZY: siehe Maßzeichnungen)
- Die Abdrückschraube (I) in die Gewindevonterierung der Druckscheibe (g) einschrauben.
- Durch Anziehen der Schraube (I) das Getriebe von der Antriebswelle entfernen.

**Achtung**

Die Bauteile e,f,I und ZY gehören nicht zu unserem Standardlieferungsumfang (sie können auf Wunsch geliefert werden.)  
Zusätzliche Daten sind dem Katalog oder der Maßzeichnung zu entnehmen.

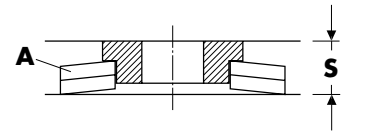
**FIG. 2**



Man erhält die erforderliche flexible und elastische Verbindung, durch ein Ver-spannen der Tellerfedern der Drehmomentstütze.

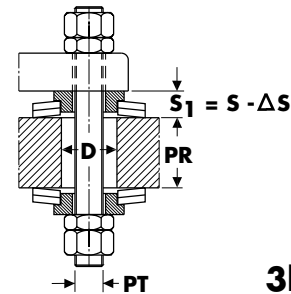
Beim Einstellen der Vorspannung der Tellerfedern (A) ist folgendermaßen vorzu-gehen :

- Den Abstand S (Abb. 3 a) bestimmen; dieser Abstand entspricht der Höhe des nicht montierten Federsatzes, wenn er nicht belastet wird.
- Muttern anziehen, bis Abstand S1 (Abstand zwischen dem Getriebe und der Stütze) erzielt wird; dabei gilt  $S1 = S - \Delta S$  (Abb. 3b, 3c, 3d)
- $\Delta S$  = Zusammendrückung der Tellerfedern (Tabelle 2, 3 und 4), die durch das Gewicht des Getriebes und das Anziehen der Muttern erzielt wird.
- Sichern der Muttern, indem die Außenmutter und die Gegenmutter angezogen werden, sobald Abstand S1 eingestellt ist.



**Abb. 3**

**3a**

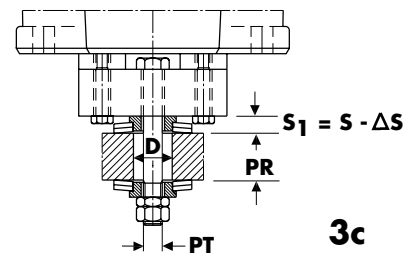


**3b**

Tabelle 2

Getriebe Baugröße	D ±5	PT	PR max		ΔS		A	
			mm	inch	mm	inch	Q*	DIN 2093
<b>QH.A2</b>	35	M16	40	1.57	0,7	0.028	2 x 2	A 80
<b>QH.B2</b>	35	M20	50	1.97	0,7	0.028	2 x 2	A 80
<b>QH.C2</b>	45	M24	60	2.36	0,9	0.035	2 x 2	A 100
<b>QH.D2</b>	45	M24	60	2.36	0,9	0.035	2 x 3	A 100
<b>QH.E2</b>	60	M30	75	2.95	1,0	0.039	2 x 3	A 125
<b>QH.F2</b>	60	M30	75	2.95	1,0	0.039	2 x 3	A 125
<b>QH.G2</b>	60	M36	90	3.54	1,0	0.039	2 x 4	A 125
<b>QH.H2</b>	60	M36	90	3.54	1,0	0.039	2 x 4	A 125

Q\*: Anzahl der Tellerfeder

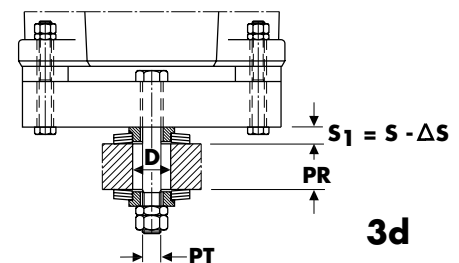


**3c**

Tabelle 3

Getriebe Baugröße	D ±5	PT	PR max		ΔS		A	
			mm	inch	mm	inch	Q*	DIN 2093
<b>QH.C3</b>	35	M20	50	1.97	0,7	0.028	2 x 3	A 80
<b>QH.D3 - QH.D4</b>	45	M24	60	2.36	0,9	0.035	2 x 2	A 100
<b>QH.E3 - QH.E4</b>	45	M24	60	2.36	0,9	0.035	2 x 3	A 100
<b>QH.F3 - QH.F4</b>	60	M30	75	2.95	1,0	0.039	2 x 2	A 125
<b>QH.G3 - QH.G4</b>	60	M36	90	3.54	1,0	0.039	2 x 3	A 125
<b>QH.H3 - QH.H4</b>	60	M36	90	3.54	1,0	0.039	2 x 3	A 125

Q\*: Anzahl der Tellerfeder



**3d**

**5.5.3. Montage der Drehmomentstütze**

Nach Montage des Getriebes auf der angetriebenen Welle (siehe Abschnitt 5.5.1 oder 5.5.2), muß das Getriebe mittels einer als Option mitgelieferten Drehmomentstütze mit einem festen Reaktionspunkt verbunden werden, wobei die Angaben der Maßzeichnung und des Katalogs beim Befestigen der Drehmomentstütze am Gehäuse zu beachten sind.

Tabelle 4

Getriebe Baugröße	D ±5	PT	PR max		ΔS		A	
			mm	inch	mm	inch	Q*	DIN 2093
<b>QH.J3 - QH.J4</b>	80	M42	105	4.1	1,4	0.055	2 x 3	A 160
<b>QH.K3 - QH.K4</b>	80	M42	105	4.1	1,4	0.055	2 x 3	A 160
<b>QH.L3 - QH.L4</b>	80	M48	120	4.7	1,4	0.055	2 x 4	A 160
<b>QH.M3 - QH.M4</b>	80	M48	120	4.7	1,4	0.055	2 x 4	A 160

Q\*: Anzahl der Tellerfeder

### 5.6. SCHMIERUNG NACH AUFSTELLUNG

- !** Das Getriebe muss geschmiert werden nach Aufstellung, Ausrichtung und Sicherung. Alle Anweisungen, die in Kapitel 6 "SCHMIERUNG" erwähnt werden, müssen gefolgt werden.
- n** Wenn eine lange Periode des Stillstandes erwartet wird, bevor man das Getriebe startet, müssen die Anweisungen, die in Punkt 10.6 "LÄNGERER GETRIEBESTILLSTAND" erwähnt werden, gefolgt werden.

## 6. SCHMIERUNG

Schmierung dient folgenden vier Zwecken:

- Vermeiden von Kontakt zwischen Metallflächen bei Zahnrädern und Lagern
- Verringern von Reibungsverlusten
- Ableiten der durch Zahnräder und Lager erzeugten Wärme
- Verhindern von Korrosion

Verschiedene Schmiersysteme können verwendet werden, je nach:

- der Umfangsgeschwindigkeit der Zahnräder
- der Einbaulage des Getriebes
- den Betriebsumständen

Für HANSEN-Getriebe werden folgende Schmiersysteme verwendet:

- Tauchschmierung
- Pumpenschmierung: - Ölumlaufschmierung
- Druckschmierung

Die Verwendung zusätzlicher Kühlsysteme kann erforderlich sein (siehe KÜHLUNG).

### 6.1. TAUCHSCHMIERUNG

Tauchschmierung wird standardmäßig verwendet für Getriebe mit horizontalen Wellen und Antriebsdrehzahlen zwischen 750 und 1800 min<sup>-1</sup>. Alle Zahnräder und die Lager der langsamdrehenden Welle werden durch Eintauchen im Ölbad geschmiert. Das aufspritzende Öl wird aufgefangan und durch Ölleitungen zu den Lagern geführt.

Für andere Antriebsdrehzahlen ist Rückfrage an HANSEN zweckmäßig.

### 6.2. PUMPENSCHMIERUNG

Alle rotierenden Elemente über dem Ölbad werden durch eine Ölpumpe geschmiert. Es wird entweder eine integrierte Pumpe (eine von einer Getriebewelle angetriebene Pumpe) oder eine Motorpumpe verwendet. Die integrierten Pumpen sind mit einer Umkehrvorrichtung, die beide Drehrichtungen ermöglicht, versehen.

Bei Motorpumpen wird die Drehrichtung immer angegeben.

Bei angebauten Pumpen wird die max. Förderleistung bereits nach wenigen Sekunden erreicht.

- !** Die Motorpumpen müssen mindestens 1 Min. vor dem Anlaufen des Getriebes eingeschaltet werden

#### 6.2.1. Umlaufschmierung

- Mit integrierter Pumpe (Abb. 4)

Das Umlaufschmiersystem besteht aus:

- einer Pumpe P
- einem Filter F mit Nebenschlußleitung (standardmäßig ab Getriebegröße G)
- einem Strömungskontrollschalter Mf (standardmäßig ab Getriebegröße G)

- !** Der Strömungskontrollschalter muß so eingestellt sein, daß er den Hauptmotor ausschaltet, sobald die Ölfördermenge den Sicherheitsgrenzwert unterschreitet.

- !** Um jedoch fehlerhafte Warnungen während der Anlaufzeit oder aufgrund von Unregelmäßigkeiten im Öldurchfluß zu vermeiden, empfehlen wir, das Warnsignal zu verzögern; es sollte nur dann ausgelöst werden, wenn der Öldurchfluß während einer Periode von 5 bis 10 Sekunden vollständig unterbrochen wird.

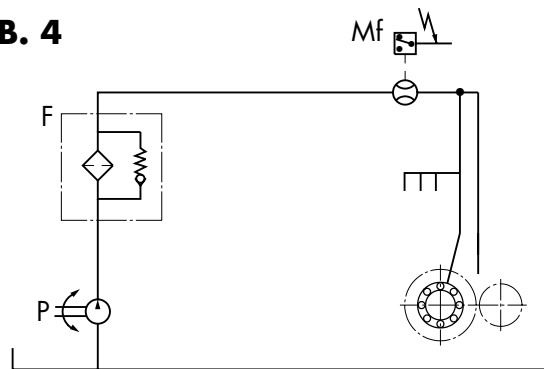
- Mit Motorpumpe

Weitere Information über Umlaufschmiersysteme sind den Betriebsanleitungen über die Kühl- und Schmieranlagen zu entnehmen.

#### 6.2.2. Druckschmierung

Weitere Information über Druckschmiersysteme ist der Betriebsanleitung über die Kühl- und Schmieranlage zu entnehmen.

ABB. 4



### 6.2.3. Zusatzgeräte und Einstellungen

Weitere Information über Schmiersysteme, Zusatzgeräte und Einstellwerte sind den Maßzeichnungen, den Betriebsanleitungen über die Kühl- und Schmieranlagen sowie den betreffenden technischen Anleitungen über Zusatzgeräte, die dieser Anleitung hinzugefügt sind, zu entnehmen.

- !** Die auf den Maßzeichnungen angegebenen Einstellwerte sind von HANSEN während des Probelaufes eingestellt worden und dürfen ohne vorherige schriftliche Erlaubnis nicht geändert werden.

Voreinstellungen sind Werte die von HANSEN vorläufig eingestellt wurden; diese Voreinstellungen dürfen den Betriebsumständen angepaßt werden.

### 6.3. SCHMIERÖLAUSWAHL

Wenn nicht anders angegeben auf dem Leistungsschild des Getriebes (\*) oder in der speziellen technischen Betriebsanleitung für einem bestimmten Getriebe (falls so eine spezielle Betriebsanleitung für dem Getriebe besteht), muss das Öl aus der Tabelle mit von den jeweiligen Markennameneigentümer empfohlenen Mineralöle und Fette ausgewählt werden (Siehe S. 48). (\*) : Zum Beispiel: wenn synthetisches Öl ("synthetic oil") vorgeschrieben wird.

- !** Ausschließlich Öle verwenden die den Angaben über Typ und Viskosität auf dem Typenschild entsprechen.

Die Viskosität entspricht den in der Auftragsbestätigung angegebenen Betriebsbedingungen.

Für die mit der ISO-Viskositätsklasse VG übereinstimmenden Viskositätsseinheiten verweisen wir auf die Tabelle der Schmiermittel auf Seite 48.

Die Lieferanten der Schmiermittel sind verantwortlich für die Wahl und Zusammensetzung ihrer Produkte.

- !** Synthetisches Öl darf nur nach schriftlicher Genehmigung von der Engineering-Abteilung von HANSEN verwendet werden.

In diesem Fall dürfen nur die von HANSEN mit Markenname und Produktname spezifizierten Synthetische Öle verwendet werden. Diese synthetische Öle sind von der Polyalpha-Olefine Typ (SHF-Typ - Synthetic Hydrocarbon Fluid = synthetische, flüssige Kohlenwasserstoffe).

Um die Beständigkeit der Lagerlebensdauer zu verbessern, wird sehr stark empfohlen Öl zu verwenden, dass eine Anfangsölsreinheitsklasse von -/15/12 (oder besser) nach ISO 4406 hat.

Beziehen Sie sich auf den Öllieferant, um diese Ölqualität zu erreichen.

Fassen Sie jedes mögliches Öl oder Schmiermittel an mit Sorgfalt und entsprechend den Behandlungs- und den Sicherheitsvorschriften, vom Schmiermittellieferanten auf Anfrage des Kunden zu besorgen. Diese Vorschriften müssen zu jedem möglichem Personal überreicht werden, das Aufstellung, Wartung oder Reparatur dem Zahnradgetriebe durchführt.

- !** 6.4. ÖLMENGE (siehe Abb. 5, Seite 30)

- M** Der minimale und maximale Ölstand wird durch Markierungen auf dem Ölmeßstab angezeigt.

Mögliche andere Schmierölstandmarkierungen sind nur hinweisend.

Ein Ölstandglas oder ein Niveauschalter zur Ölstandüberwachung ist auf Wunsch lieferbar.

### BEIM MESSEN DES ÖLSTANDS DEN GEWINDE-ÖLMEßSTAB EINSCHRAUBEN.

Der Ölstand ist immer zu messen wenn das Getriebe außer Betrieb ist.

**Bei Getrieben die mit Filter oder Kühler ausgerüstet sind wird der Ölstand überprüft wenn die Schmier- und Kühlanlage mit Öl gefüllt ist und nach einem kurzfristigen Probelauf.**

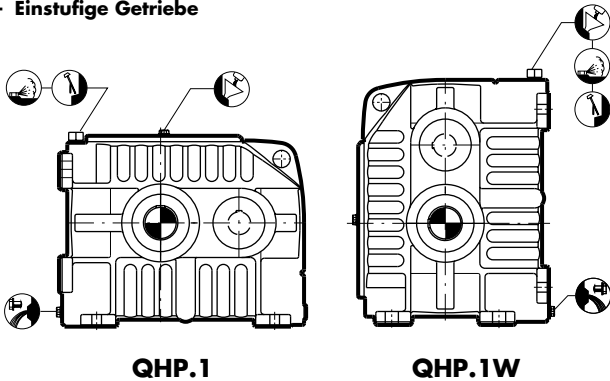
Die Schmier- und Kühlanlage, einschließlich des Kühlers, werden automatisch gefüllt bei Überschreiten einer Öltemperatur von 60°C.

Ist eine schnellere Füllung erforderlich, so ist der Kühler manuell zu entlüften wobei darauf zu achten ist, daß die Ölpumpe in Betrieb ist.

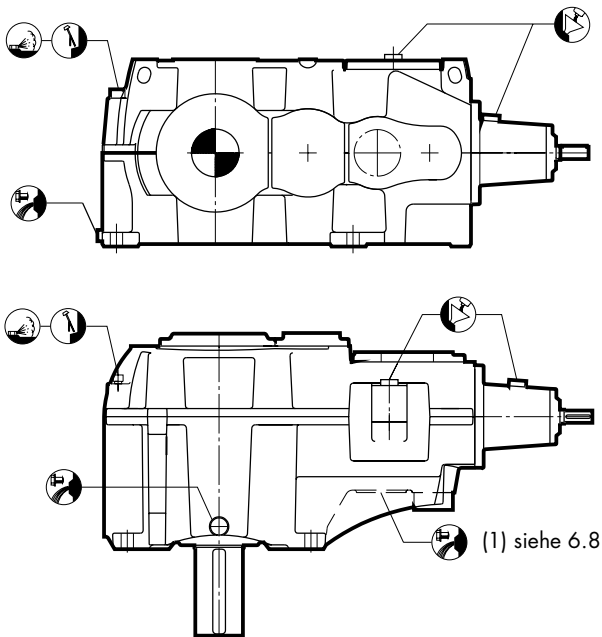
Die auf dem Typenschild des Getriebes angegebene Ölmenge ist lediglich ein Anhaltswert, der als Richtwert beim Bestimmen der anzuschaffenden Ölmenge dienen kann.

**ABB. 5**

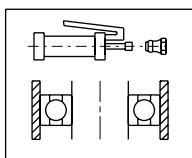
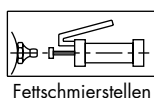
- Einstufige Getriebe



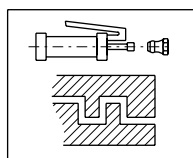
- Mehrstufige Getriebe



Typ und Position des Selbstklebers: siehe auch Maßzeichnung und Getriebe



Walzlagerfett-schmierstelle



Schmierstelle der Labyrinthdichtungen

**M 6.5. ERSTEN ÖLFÜLLUNG** (siehe Abb. 5)

Das Getriebe darf erst nach der endgültigen Aufstellung mit Öl gefüllt werden. Dies gilt vor allem für Getriebe mit einer senkrecht nach unten gerichteten langsamdrehenden Welle, die mit einem Steigrohr, in den beim Transport Öl eindringen könnte, ausgestattet sind.

**Das Auffüllen des Getriebes soll immer durch die Ölfüllöffnung im Schaulochdeckel erfolgen; so werden sämtliche Lager mit neuem Öl versorgt.**

**Bemerkungen:**

- **Zusätzliche Ölfüllung vom Lagergehäuse**  
**4-stufige horizontale Getriebe mit rechtwinkligen Wellen (QHR.4) und 3- und 4-stufige horizontale Getriebe mit rechtwinkligen Wellen (QVR.3 + QVR.4) erfordern eine zusätzliche Ölfüllung des Lagergehäuses bei der ersten Ölfüllung. Siehe den Aufkleber auf dem Getriebe. Diese zusätzliche Ölmenge ist auf der Maßzeichnung und auf dem Aufkleber angegeben.**

- **Ölfüllung eines Getriebes mit Motorbasis M1 oder M3.**

Bei Getrieben mit horizontalen Wellen (QH..) die mit einer Motorbasis M1 oder M3 ausgerüstet sind, ist bei der ersten Ölfüllung nur die angegebene Mindestmenge durch den Schaulochdeckel in der oberen Ebene einzufüllen. (siehe Aufkleber auf dem Getriebe)

Falls der Bauraum zwischen der Motorbasis und der oberen Getriebeoberfläche nicht ausreichen sollte um diese Ölfüllung durchzuführen, so ist eine Höhenverstellung der Motorbasis vorzunehmen. Dafür sind erst die Riemen zu demontieren.

Bei Getrieben mit M1 Motorbasis befindet sich die normale Einfüllöffnung an der Antriebswellenseite, d.h. an der gegenüberliegenden Seite des Ölmeßstabes.

Bei Getrieben mit M3 Motorbasis befindet sich die normale Einfüllöffnung an der Seite des Ölmeßstabes.

Bei mit rostschützendem Öl gefüllten Getrieben ist dieses Lageröl abzulassen. Die Getriebe werden vorzugsweise mit dem empfohlenen Getriebeöl gespült. Ggf. den Öllieferanten um Auskunft bitten.

Um die Beständigkeit der Lagerlebensdauer zu verbessern, wird sehr stark empfohlen Öl zu verwenden, das eine Anfangsölsreinheitsklasse von -/15/12 (oder besser) nach ISO 4406 hat.

Beziehen Sie sich auf den Öllieferant, um diese Ölqualität zu erreichen.

**M 6.6. AUSWÄHLEN DES FETTES** (siehe Tabelle Seite 48)

Falls das Getriebe mit Schmierfett brauchenden Teile ausgerüstet ist, und wenn nicht anders angegeben auf dem Leistungsschild des Getriebes oder in der speziellen technischen Betriebsanleitung für einem bestimmten Getriebe (falls es so eine spezielle Betriebsanleitung für dem Getriebe gibt), muss das Fett aus der Tabelle (siehe Seite 48) mit von den jeweiligen Markenamenen Eigentümern empfohlenen Mineralöle und Fette ausgewählt werden.

Ausschließlich hochwertiges Fett verwenden, dessen Zusammensetzung NLGI-Klasse 3 entspricht.

Bei nachschmierbaren Labyrinthdichtungen und Anwendungen, bei denen das untere Lager der langsamdrehenden Welle mit Fett geschmiert wird, darf Fett der NLGI-Klasse 2 verwendet werden.

Die Lieferanten der Schmierstoffe sind für die Auswahl und Zusammensetzung ihrer Produkte verantwortlich.

**M 6.7. FETTSCHMIERSTELLEN** (siehe Abb. 5)

Die Schmierstellen der Lager, die nicht vom Ölbad geschmiert werden, und der Labyrinthdichtungen sind mit Nippeln, die DIN 71412 entsprechen, ausgestattet; diese Nippel werden vor dem Versand mit Fett gefüllt. Die Schmierstellenanzahl ist auf dem Typenschild angegeben.

Einige nicht integrierte Rücklaufsperrn werden ebenfalls mit Fett geschmiert. Nähere Einzelheiten entnehmen Sie bitte der betreffenden Anleitung.

**M 6.8. ÖLABLASS** (siehe Abb. 5)

**Das Öl ablassen, während das Getriebe noch warm ist. Vorsicht beim Ablassen des warmen Öls, geeigneten Behälter verwenden.**

Getriebe mit großem Ölumpf, werden durch die Ölablaßöffnung mittels einer tragbaren Pumpe geleert.

Bei einigen Ausführungen verbleibt ein wenig Öl unter den schnelldrehenden Lagern. Falls gewünscht kann auch dieses Öl durch eine zweite Abblaßschraube (1) abgelassen werden.

**M 6.9. ENTLÜFTUNG** (siehe Abb. 5)

Um Überdruck zu vermeiden, ist das Getriebe mit einer Entlüftungsöffnung versehen, die meistens im Ölmeßstab integriert ist.

**Regelmäßig überprüfen ob der Luftenlaß nicht verstopft ist.**

Für bestimmte Anwendungen wird der Ölmeßstab mit Entlüftungsöffnung durch einen Ölmeßstab ohne Entlüftungsschraube ersetzt und wird eine vor Spritzwasser, Staub oder Feuchtigkeit schützende Entlüftungsschraube vorge-sehen.

## 7. KÜHLUNG

Die Wärme im Getriebe, die durch Reibung und Aufwirbeln entsteht, muß über dem Gehäuse zur Umgebung abgeführt werden. Es ist also von größter Wichtigkeit, daß Die Wärmeabfuhrkapazität des Gehäuses nicht vermindert wird. Eine gute Luftzirkulation muß gewährleistet sein sowie ein regelmäßiges Reinigen der Gehäuseoberfläche.

**M**

### 7.1. LUFTKÜHLUNG (ZWANGSKÜHLUNG)

#### 7.1.1. Ventilatoren

Es können ein oder zwei Ventilatoren auf die Getriebewellen montiert sein.

**Achtung**  
**Das Getriebe nicht in Betrieb nehmen ohne passende Schutze**

**M** **Regelmäßig überprüfen ob der Lufteinlaß und der Luftauslaß nicht verstopft sind.**

Ventilatoren bedürfen keiner Wartung; eine gelegentliche Reinigung genügt.

#### 7.1.2. Luft-Ölkühler

Weitere Information über Luft-Ölkühler ist der zutreffenden Betriebsanleitung zu entnehmen.

### 7.2. WASSERKÜHLUNG (ZWANGSKÜHLUNG)

Sämtliche Wasserkühlanlagen müssen an eine nicht kalkhaltende Wasserleitung angeschlossen werden: siehe auch Betriebsanleitung für Kühl- und Schmieranlagen oder/und die technischen Anleitungen für Zusatzgeräte. Die Verwendung von Meereswasser ist bei der Bestellung anzugeben. Für Meereswasser geeignete Kühler sind vorhanden.

Wenn ein Getriebe, das nicht in Betrieb ist, Frostgefahr ausgesetzt ist, muß das Kühlwasser abgelassen werden. Die hierzu benötigte Anlage ist vom Verbraucher vorzusehen.

**Achtung** Wenn nichts anderes angedeutet, ist die erforderliche Wassermenge für eine Wassertemperatur von 20°C auf der Maßzeichnung angegeben. Abhängig von Belastung, Umgebungstemperatur und Wassertemperatur könnte eine kleinere Menge ausreichen. Der Wasserdurchfluß ist so zu regeln, daß die Öltemperatur, wenn das Getriebe in Betrieb ist, zwischen 60 und 80°C liegt.

#### 7.2.1. Öl-Wasser Kühler

Der Anschluß an das Kühlmedium muß den Angaben auf der Maßzeichnung entsprechen.

Für weitere Information über Öl-Wasser Kühler verweisen wir auf die Betriebsanleitung über die Kühl- und Schmieranlage.

#### 7.2.2. Kühlschlangen

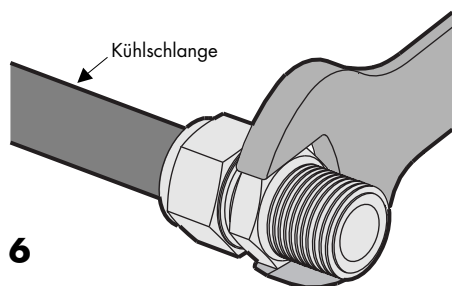
Die Durchflußrichtung ist beliebig.

Die Kühlschlangen sind geeignet für Fluß- und Seewasser.

Max. zulässiger Wasserdruck: 8 bar.

### Verbindung von Kühlschlange mit Wasseranschluss

**Achtung:** um Verdrehung der Kühlschlange zu vermeiden muss das vormontierte Verbindungsstück festgehalten werden wie in Abb. 6 hierunten gezeigt.



**FIG. 6**

## 8. RÜCKLAUFSPERREN

**Achtung** Rücklaufsperrn sind Verschleißteile und müssen in gewissen Zeitabständen, je nach den Betriebsbedingungen, überprüft oder ausgewechselt werden. Der Kunde muss alle notwendigen Sicherheitsvorkehrungen treffen, um zu vermeiden, daß der Ausfall der Rücklaufsperrn zu Verletzungen und / oder schweren Schäden am Antrieb und/oder der Anwendung führt.

Der Zeitabstand zwischen 2 Kontrollen darf höchstens 2 Jahr betragen und ist von den Betriebsbedingungen abhängig.

Falls die Rücklaufsperrn ein Teil eines Antriebs für Hebezeuge darstellt der einer periodischen Kontrolle ausgesetzt ist, so gilt die Kontrolle ebenfalls für die Rücklaufsperrn.

**Achtung** Bei Personentransport muss der Benutzer die örtlichen Sicherheitsvorschriften hinsichtlich Inspektionsarbeiten beachten.

Eine Inspektion oder Ersetzung der Rücklaufsperrn ist unter folgenden Umständen ebenfalls notwendig:

- Im Falle der Demontage des Getriebes oder eines Getriebeteiles
- Bei abnormalem Verschleiß oder Materialausbruch an Zahnrädern, Lagern oder anderen Elementen oder bei Ölverschmutzung wobei der Zustand der Klemmkörper und der Laufringe der Rücklaufsperrn nachteilig beeinflusst sein könnten.

Das Resultat der periodischen Inspektion muss in ein Logbuch eingetragen werden.

**Nie die Rücklaufsperrn lösen, auch nicht teilweise, wenn das Getriebe belastet ist. Das Lösen der Rücklaufsperrn könnte zur Umkehrung der Drehrichtung und zu Rückwärtslauf der Last führen. Bevor die Rücklaufsperrn zu lösen, die Last entfernen und den Antrieb gegen unerwünschte Bewegungen sichern.**

### 8.1. STANDARDMÄSSIG IM GETRIEBE INTEGRIERTE RÜCKLAUFSPERRE

Die Rücklaufsperrn werden vom Ölbad des Getriebes geschmiert und bedürfen ausser den genannten periodischen Inspektionen keiner Wartung.

### 8.2. EXTERN MONTIERTE RÜCKLAUFSPERREN

Wenn das Getriebe mit einer externen Rücklaufsperrn ausgerüstet ist, ist die spezifische Betriebsanleitung für Wartung und Inspektion zu beachten. Obige Inspektionsvorschriften sind ebenfalls zu berücksichtigen.

**Achtung** Die Drehrichtung der Rücklaufsperrn darf nur von kompetenten Fachleuten unter Beachtung der in der spezifischen Anleitung aufgeführten Daten geändert werden.

## 9. INBETRIEBNAHME

### 9.1. SÄMTLICHE GETRIEBE

**Vor der Inbetriebnahme den Ölstand mit dem Ölmeßstab überprüfen und sich davon überzeugen, daß alle Schmierstellen geschmiert sind.**

Obwohl alle Fettschmiernippel vor der Lieferung mit Fett gefüllt worden sind, ist es dennoch ratsam, vor Inbetriebnahme ein wenig Fett hinzuzufügen.

Nach kurzem Betrieb ist auch die Befestigung des Getriebes auf seinem Fundamentrahmen zu kontrollieren; ein Anziehen der Schrauben könnte notwendig sein.

Die Ausrichtung von Antriebsgruppen, die auf einem Rahmen montiert sind, wird vor dem Versand sorgfältig geprüft. Dennoch sollte überprüft werden, ob der Rahmen während des Transportes oder beim Einbau nicht verformt wurde. Zu diesem Zweck ist die Ausrichtung der Kupplungen oder anderer Elemente nach endgültiger Aufstellung der Antriebsgruppe erneut zu überprüfen.

Es ist darauf zu achten, daß alle Schutzhauben und ggf. Luftführungsplatten im Einsatz bei Lüfterkühlern, fachgemäß montiert sind.

Das Getriebe eignet sich für beide Drehrichtungen, es sei denn eine bestimmte Drehrichtung ist angegeben.

### 9.2. GETRIEBE MIT RÜCKLAUFSPERRE

**Achtung** Der Kunde muss die notwendigen Vorsichtsmaßnahmen treffen, um den guten Betrieb der Rücklaufsperrn zu überprüfen und zu garantieren.

**Achtung** Bei den mit Rücklaufsperrn ausgerüsteten Getrieben ist zu prüfen, ob die Drehrichtung des Motors der Freilaufrichtung der Rücklaufsperrn entspricht, bevor Sie den Motor an das Getriebe anschließen.

Bei kompletten Antriebsgruppen ist die Motordrehrichtung mittels eines Phasemeters zu kontrollieren.

**Das Antreiben von Getrieben in Sperrichtung, auch nur kurzfristig, kann die Rücklaufsperrn beschädigen und ist also nicht erlaubt.**

Getriebe, die mit einem Heizelement ausgerüstet sind, dürfen erst bei einer Ölbadtemperatur über 5°C anlaufen. Das Heizelement muss bei einer Öltemperatur über 15°C automatisch ausgeschaltet werden.

Mit zunehmender Belastung steigt die Ölbadtemperatur; eine Öltemperatur bis zu 95°C ist zulässig für ein mit Mineralöl gefülltes Standardgetriebe.

### 9.3. GETRIEBE MIT PUMPENSCHMIERUNG

Für die verschiedenen Einzelteile des Schmiersystems verweisen wir auf Betriebsanleitung für Kühl- und Schmieranlagen oder/und die technischen Anleitungen für Zusatzgeräte.

### 9.4. ZAHNRADGETRIEBE ANGETRIEBEN DURCH EINEN POLUMSCHALTbaren MOTOR.

Bei Umschaltung von der höheren auf die niedrigere Drehzahl, muß erst die Geschwindigkeit der Anlage dermaßen gesenkt werden, daß der Motor beim Einschalten beschleunigt.

Dank diesem Verfahren können hohe Synchronisations-Drehmomentspitzen vermieden werden.

## **M** 10. WARTUNG

Die Wartung beschränkt sich auf das Messen des Ölstands, einen regelmäßigen Ölwechsel, das Nachschmieren der Fettschmierstellen und das Reinigen der Filter, wenn vorhanden.

Ölmenge : siehe Abschnitt 6.4, Seite 29-30

Ölablaß : siehe Abschnitt 6.8, Seite 30

**Ebenfalls die anderen mit **M** markierten Abschnitte lesen.**

### 10.1. INSPEKTION UND WARTUNG

**Umlaufende Teile können Personen- und Sachschäden verursachen.**

**Vor Anfang der Inspektions- und Wartungsarbeiten immer den Antrieb abschalten und gegen unbeabsichtigtes Einschalten und Drehen schützen.**

## **M** 10.2. ÖLWECHSEL UND FETT IN DEN SCHMIERSTELLEN HINZUFÜGEN

#### 10.2.1 ALLGEMEINE RICHTLINIEN

**Fassen Sie jedes mögliches Öl oder Schmiermittel an mit Sorgfalt und entsprechend den Behandlungs- und den Sicherheitsvorschriften, vom Schmiermittellieferanten auf Anfrage des Kunden zu besorgen. Diese Vorschriften müssen zu jedem möglichem Personal überreicht werden, das Aufstellung, Wartung oder Reparatur dem Zahnradgetriebe durchführt.**

Sauberes Öl aus sauberen Gebinden verwenden. Das Eindringen von Abrieb und Wasser ist zu verhindern.

Der Wassergehalt muss unter 0,05% bleiben (abgeleitet nach der Titrierungsmethode angenommen vom Öllieferant).

Um die Beständigkeit der Lagerlebensdauer zu verbessern, wird sehr stark empfohlen Öl zu verwenden, dass eine Anfangsreinheitsklasse von -/15/12 (oder besser) nach ISO 4406 hat. Beziehen Sie sich auf den Öllieferant, um diese Ölqualität zu erreichen.

**Es wird empfohlen, um das Öl vor Sommerzeit auszutauschen, folglich dreht das Zahnradgetriebe mit neuem frischem Öl in der kritischsten Periode, als thermische Last höher ist.**

**Wenn das Getriebe mit einer Heizung versehen ist, vor der Trockenlegung des Öls trennen Sie die Heizung vom elektrischen Netz.**

Das Öl ablassen, während das Getriebe noch warm ist. Geben Sie acht, wenn Sie das Heißöl ablassen, verwenden Sie eine passende Heißölempfänger.

Jedesmal wenn das Schmiermittel erneuert wird, wird es empfohlen, um das Zahnradgetriebe und das entsprechende Schmier- und Kühlsystem mit dem frischen Öl zu spülen. Lassen Sie das benutzte frische Öl ab. Überprüfen Sie, ob die Einzelteile des Schmier- und Kühlsystems gut abgelassen werden. Vergessen Sie nicht, das Filterelement zu erneuern.

Betriebsverfahren und Spezifikationen werden in der Betriebsanleitung der Schmier- und Kühlausrüstung und/oder in technische Anleitungen für die spezifischen Zusatzgeräte erwähnt.

Nur Metallsiebfilter dürfen wiederverwendet werden, vorausgesetzt sie werden gründlich mit einem Lösungsmittel gereinigt. Wegwerffilter können nicht gesäubert werden.

Fragen Sie bei der Wahl des Spül- oder Lösungsmittels immer Ihren Öllieferanten um Rat.

**Externe Ölmeßstäbe und Anblickgläser sollten gegen das**

### 10.2.2 ÖLWECHSEL UND FETT HINZUFÜGEN

#### Der erste Ölwechsel

Nach 100 Betriebsstunden und nicht später als 800 Betriebsstunden:

- zuerst Fett in den Schmierstellen (falls vorhanden) hinzufügen (sehen Sie Punkt 10.4)
- Die Schmierstellen müssen neu eingefettet werden, während das Zahnradgetriebe noch warm ist.
- wechseln Sie das Öl. Benutzen Sie neues Öl oder nach Filterung benutzen Sie das entfernte Öl wieder, und in diesem Fall das Öl wenigstens 10 Mal durch einen Filter von 10 µm oder kleiner filtrieren. Der Filter muss mit dem benutzten Öl kompatibel sein. Das entfernte Öl nicht durch das Filtersystem des Getriebes filtrieren.
- Nach Filterung des Öls, erneuern Sie den Filtereinsatz des Schmiersystems.

#### Filter (falls vorhanden)

Erneuern Sie den Filtereinsatz nach alle 800 Betriebsstunden, es sei denn der Filter einem Verschmutzungsanzeiger hat. Bevor Sie den Filtereinsatz erneuern, lassen Sie das Getriebe eine Zeitlang laufen nach fettschmierung des Getriebes (falls Fettschmierstellen vorhanden).

#### Fettschmierung (falls Fettschmierstellen vorhanden)

**Lager:** nach jeweils 800 Betriebsstunden sind den Schmierstellen Fett hinzuzufügen (Siehe Abschnitt 10.4).

**Labyrinthdichtungen:** nach jeweils 3000 Betriebsstunden sind den Schmierstellen Fett hinzuzufügen (Siehe Abschnitt 10.4).

#### Weitere Ölwechsel

Nach 4000 bis 8000 Betriebsstunden oder nach höchstens 18 Monaten

- zuerst Fett in den Schmierstellen (falls vorhanden) hinzufügen (sehen Sie Punkt 10.4), während das Zahnradgetriebe noch warm ist.
- wechseln Sie das Öl. Benutzen Sie neues Öl. Sauberes Öl aus sauberen Gebinden verwenden. Das Eindringen von Abrieb ist zu verhindern.
- erneuern Sie den Filtereinsatz des Schmiersystems (falls vorhanden)

## **M** 10.3. ÖLPROBE

Wenn die Betriebstemperatur dauern zwischen 80° und 95°C liegt oder wenn in staubiger oder feuchter Umgebung gearbeitet wird, ist es empfehlenswert, alle 4000 Betriebsstunden eine Ölprobe (von einem Labor, anerkannt) vom Ölmarkenaneigentümer prüfen zu lassen; so kann die genaue Lebensdauer des Öls bestimmt werden.

**n** Eine Repräsentativölprobe sollte irgendein direkt aus dem Ölsumpf heraus genommen werden - öffnen Sie die Kontrolledeckel des Getriebes sofort nach Abschaltung - oder mittels Ablassen einer bestimmten Menge (Kapazität von dem Abflussrohr + 2 Liter) durch den Ablasshahn oder das Abflussrohr, bevor die Ölprobe genommen wird.

Stellen Sie sicher, nur passende und saubere Probeflaschen zu benutzen.

**! Geben Sie acht, wenn Sie das Heißöl ablassen, verwenden Sie eine passende Heißölempfänger.**

**! Vor Inbetriebnahme überprüfen Sie den Ölstand mit Ölmeßstab und stellen Sie sicher, Öl hinzuzufügen, wenn erforderlich.**

### 10.4. FETTSCHMIERSTELLEN

Zu verwenden Fette: siehe Abschnitt 6.6 (Seite 30).

Fettmenge für Lager: siehe Seite 44-45.

Fettmenge für Labyrinthdichtungen: siehe Seite 46.

Nachschmierintervall: Siehe Abschnitt 10.2.2.

Längere Schmierintervalle sind oft möglich: wenden Sie sich an HANSEN.

## **!** 10.5. DIE HEIZELEMENT SÄUBERN

Wenn das Getriebe mit einer Heizung versehen wird und um die Lebensdauer der Heizung zu verbessern, wird es empfohlen das Heizelement regelmäßig (an jedem Öl erneuern) zu säubern und die Absetzung zu beseitigen.

### 10.6. WARTUNGSFREIE OIL-LOCK™ DICHTUNG WARTUNGSFREIE OIL-GUARD™ DICHTUNG (Option auf Wunsch)

#### Wartungsfrei OIL-LOCK™ Dichtung

Die Antriebswelle ist standardmäßig mit einer OIL-LOCK™ Dichtung versehen.

**n** Die schnelldrehende und langsamdrehende Welle der Hansen P4 einstufigen Getriebe sind mit einer OIL-LOCK™ Dichtung ausgerüstet. Dank ihrer zentrifugalen Wirkung ist die Dichtung verschleiß- und wartungsfrei. Diese doppelwirkende Labyrinthdichtung verhindert das Eindringen von Staub und Feuchtigkeit.

Die Demontage der OIL-LOCK™ Dichtung ist nur durch qualifizierte Fachleute vorzunehmen.

#### Wartungsfrei OIL-GUARD™ Dichtung

Die Antriebswelle kann mit einer OIL-GUARD™ Dichtung (Option) ausgerüstet werden. Es besteht aus einem dicht am Gehäuse rotierenden, konischen Ring, der wie eine Zentrifugalpumpe wirkt. Der Ring befindet sich zwischen dem Öl und einem Radialdichtung. Hansen OIL-GUARD™ gewährleistet selbst unter Wasser einen leckagefreien Betrieb.

Die Demontage der OIL-GUARD™ Dichtung ist nur durch qualifizierte Fachleute vorzunehmen.

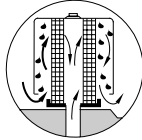


### 10.7. LÄNGERER GETRIEBESTILLSTAND

- !** Bei längerem Getriebestillstand entweicht der schützende Ölfilm langsam von den unbehandelten Oberflächen. Dadurch kann Rostbildung an den Innenteilen des Getriebes entstehen. Das Risiko der Rostbildung ist in hohem Maße von den Umgebungsbedingungen (feuchte, maritime, tropische oder chemisch aggressive Umgebung) abhängig.

Eine periodische visuelle Kontrolle durch den Inspektionsdeckel ist erforderlich.

Damit Korrosionsbildung verhindert und die Bildung eines schützenden Ölfilms erneuert wird, ist es notwendig das Getriebe alle zwei Wochen (abhängig von den Umgebungsbedingungen) einige Minuten drehen zu lassen. Ein spezieller Entlüftungsfiter (mit dem unten gezeigten Aufkleber markiert) ist zu montieren um das Eindringen von Feuchtigkeit ins Getriebe zu verhindern.



Sollte es nicht möglich sein trotz erhöhtem Risiko auf Rostbildung das Getriebe regelmäßig drehen zu lassen, sind folgende Schutzmaßnahmen während eines längeren Getriebestillstands erforderlich:

- Dem Öl ist ein öllösliches Konzentrat mit rostschützenden Additiven, die sowohl in flüssiger als auch in gasartiger Form wirken, in einer Konzentration von ca. 2 % beizumischen. Die Wirkungsdauer, Verträglichkeit mit dem verwendeten Öl und genaue Konzentration sind durch den Öllieferant zu bestätigen.
- Alle Getriebeöffnungen (Ölstabschraube, Entlüftungsschraube usw.) sind hermetisch zu verschließen.

- !** **Vor neuem Inbetriebnahme: lesen Sie Kapitel 9 und 10 und hermetische Dichtungen frei geben.**

### 10.8. KUNDENDIENST

Für technische Beratung oder zusätzliche Auskunft, stehen die HANSEN Verkaufszentren zur Verfügung.

Bei Kontaktnahme, bitte die auf dem Typenschild erwähnte vollständige Typennummer und Fertigungsnummer mitteilen.

### 10.9. REPARATUR

Reparaturarbeiten dürfen nur durch qualifizierte Fachleute durchgeführt werden. Dabei sind nur Original - HANSEN Ersatzteile zu verwenden.

- !** Keine Produkte oder Substanzen dürfen im Getriebe verwendet werden die nach die Wiederinbetriebnahme des Getriebes Fremdstoffe (u.a. insbesondere Feststoffe oder Reibwertmindernde Zusätze) ins Öl bringen würden.

## DOEL

Dit bedrijfshandboek geeft de nodige richtlijnen voor de opslag, installatie, werking, smering en onderhoud van de **Hansen P4** standaard tandwielkasten.

Bijkomende informatie kan bekomen worden bij één van de HANSEN verkoopcentra (blz. 2-3)

**Het behandelen, opslaan, installeren, opstarten, inspecteren en onderhouden van de aandrijving moet uitgevoerd worden door personeel dat gekwalificeerd is in industriële, mechanische en eventueel in elektrische uitrustingen.**

## 1. ALGEMEEN

### 1.1. ALGEMENE RICHTLIJNEN

Lees zorgvuldig deze richtlijnen vooraleer de tandwielkast te installeren. Installatie overeenkomstig de richtlijnen verzekert een lange en probleemloze werking van de tandwielkast.

Er dient gecontroleerd te worden of de uitrusting met de transportdocumenten overeenstemt en of zij tijdens het transport geen schade heeft geleden.

Elk tekort, afwijking of schade moet onmiddellijk aan HANSEN gemeld worden.

#### 1.1.1. Waarborg

De garantieclausule van de "Algemene verkoopvoorwaarden" is geldig voor tandwielkasten geïnstalleerd en onderhouden volgens de richtlijnen beschreven in dit bedrijfshandboek en de eventueel aanvullende richtlijnen meegeleverd met de tandwielkast op voorwaarde dat de bedrijfsomstandigheden overeenstemmen met deze die in de orderbevestiging en op de maattekeningen zijn vermeld.

De waarborg vervalt indien eventuele schade een gevolg blijkt te zijn van het niet naleven van deze richtlijnen of van een onoordeelkundige keuze van het smeermiddel of van een gebrek aan onderhoud.


Hoger genoemde garantieclausule heeft betrekking op alle onderdelen van en behorend tot de tandwielkast met uitzondering van de aan slijtage onderhevige onderdelen.

#### 1.1.2. Veiligheid

**Het is niet toegelaten de tandwielkast aan te wenden voor andere toepassingen of in andere gebruiksomstandigheden, dan diegene waarvoor ze werd besteld.**

**De gebruiker is verantwoordelijk voor het vakkundig installeren van de volledige uitrusting en het voorzien van beschermkappen en andere veiligheidsuitrustingen die beantwoorden aan de lokale veiligheidsvoorschriften.**

Verwarmingselementen, koel-, veiligheids- en controlesystemen, geleverd door HANSEN al dan niet samen met de tandwielkast, moeten aangesloten worden zoals beschreven in de bijgevoegde documenten.

 **Sommige afdichtingen in de tandwielkast kunnen FKM<sup>1</sup> materiaal (merknamen o.a. Viton<sup>®</sup> 2 and Fluorel<sup>®</sup> 3) bevatten. Indien afdichtingen vervaardigd uit FKM werden blootgesteld aan hoge temperaturen (bvb in een brand of wanneer een lager naast een afdichting zware schade heeft opgelopen) kunnen bepaalde agressieve organische fluorverbindingen vrijkomen en is contact met de huid absoluut te vermijden. Vermits het niet altijd duidelijk is of het gebruikte materiaal voor afdichtingen al dan niet FKM is, wordt sterk aangeraden om elke afdichting die aan hoge temperaturen is blootgesteld geweest met de nodige voorzichtigheid te behandelen en de nodige veiligheidsmaatregelen te nemen (\*).**

1: FKM is de afkorting voor Fluoroelastomer

2: Viton<sup>®</sup> is een geregisteerde merknaam van Dupont-Dow

3: Fluorel<sup>®</sup> is een geregisteerde merknaam van Dyneon (3M)

 **(\* Uittreksel uit 'Handling precautions for Viton<sup>®</sup> and related chemicals, technical information' door Dupont-Dow: Voorzorgen in geval van brand**

Bij een brand waar Viton<sup>®</sup> aanwezig is kunnen hoogst giftige stoffen vrijko-

men (\*\*). Het personeel dat zulk een brand bestrijdt moet steeds zuurstofmaskers (met zuurstofflessen) dragen. Alle personeel zonder beschermende uitrusting moet onmiddellijk de omgeving van de brand verlaten. Iedereen die werd blootgesteld aan de dampen van de brand moet onmiddellijk in de open lucht gebracht worden en door een dokter behandeld worden.

Iedereen die resten van Viton<sup>®</sup> behandelt die betrokken waren in een brand, moet handschoenen uit Neopreen dragen om contact van mogelijke sterk inbijtende residuen (waaronder hoogst waarschijnlijk waterstoffluoride HF) met de huid te vermijden. Handschoenen uit PVC mogen gebruikt worden indien de temperatuur van de resten beneden het smeltpunt van de handschoenen ligt. De resten dienen ontsmet te worden door te wassen met kalkwater (een calciumhydroxideoplossing) en moeten op dezelfde manier vernietigd worden als het Viton<sup>®</sup> polymeer (storten indien de lokale wetten die toelaten of verbranden in speciaal daartoe uitgeruste verbrandingsovens). De gebruikte handschoenen moeten achteraf eveneens op dezelfde manier vernietigd worden.

(\*\*) Stoffen die vrijkomen bij de verbranding van Viton<sup>®</sup>

Koolstofmonoxide (CO)

Fluoroform (CHF<sub>3</sub>)

Koolstofdioxide (CO<sub>2</sub>)

Vinilidene Fluoride (H<sub>2</sub>CCF<sub>2</sub>)

Waterstoffluoride (HF)

Hexafluoropropyleen (C<sub>3</sub>F<sub>6</sub>)

Koolstoffluoride (COF<sub>3</sub>)

Minuscule deeltjes Fluocarbon

### 1.2. ALGEMENE SPECIFICATIES

De specifieke gegevens zoals afmetingen, gewicht en aansluitschema's vindt men op de maattekening van de tandwielkast en/of in de catalogi van de Hansen P4 standaard tandwielkasten.

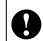
### 1.3. IDENTIFICATIE

Elke tandwielkast is geïdentificeerd met een kenmerkplaatje. Dit bevat o.a. het volledige typenummer, het fabricagenummer, vermogens en/of koppel, toerentallen en aanwijzingen i.v.m. de smering.

Bij eventuele vragen betreffende de geleverde tandwielkast moeten steeds het volledige typenummer en het fabricagenummer worden medegedeeld.

Deze informatie is noodzakelijk om HANSEN in staat te stellen de tandwielkast te identificeren.

## 2. LEVERING

 Elke tandwielkast wordt vóór verzending gecontroleerd en goedgekeurd door de KWALITEITSCONTROLEDIENST. Hierbij wordt uitgegaan van de orderspecificatie en laat men de tandwielkast gedurende enkele uren proefdraaien bij nullast, in haar normale positie en bij het toerental vermeld op de kenmerkplaat.


### 2.1. TOESTAND VAN DE TANDWIELKAST BIJ LEVERING

Tenzij anders bepaald, wordt de tandwielkast onverpakt verzonden, eventueel bevestigd op een houten laadbord en beschermd d.m.v. een krat.

Sommige onderdelen, bijvoorbeeld een reserve filterelement, worden in bepaalde gevallen afzonderlijk verpakt meegeleverd. De gebruiker dient zelf de installatie ervan te verzorgen (zie hoofdstuk 5. INSTALLATIE blz. 36).

 **De HANSEN P4 tandwielkast wordt geleverd zonder olie.**

De vetsmeerpunten, indien aanwezig, zijn met vet gevuld.

 **Indien de tandwielkast, na levering door Hansen, verder vervoerd moet worden, raadt Hansen aan om transport per spoor te vermijden. Indien de tandwielkast toch per spoor vervoerd moet worden, moeten de nodige voorzorgen door de verzender genomen worden om inhamering (false Brinelling) aan tandwielen en lagers te vermijden.**

### 2.2. VERFSYSTEEM

Het standaard verfsysteem op de buitenzijde van de HANSEN tandwielkasten is uitgevoerd met een epoxyprimer met hoog vaste stofgehalte. De kleur is waterblauw overeenkomstig de Duitse kleurspecificatie RAL 5021.

Dit verfsysteem biedt gedurende 5 jaar bescherming wanneer de tandwielkast binnen opgesteld is en niet blootgesteld aan een vochtige of agressieve omgeving.

Overschilderen kan met de meeste verven op basis van alkyd-, epoxy- of polyuretaanharsen.

### 2.3. BESCHERMING

De tandwielkasten worden inwendig besproeid met roestwerende minerale olie. De verluchtingsstop (standaard, stofwerend of vochtwerend) blijft op zijn plaats en is niet afgesloten.

Aseiden worden beschermd met roestwerend mineraal vet en omwikkeld met gearaffineerd papier. Holle assen en alle bewerkte vlakken die niet geschilderd zijn, worden beschermd met een wasachtig roestwerend product. Dit standaard systeem garandeert een corrosiebescherming tijdens transport en/of opslag tot 1 jaar in een gesloten ruimte.

### 3. OPSLAG

- !** De tandwielkast in de originele verpakking opslaan, echter nooit in de buurt van trillende machines, zodat geen trillingslijtage aan de lagers kan optreden.

#### 3.1. KORTE DUUR

##### In een gesloten ruimte

Maximaal twee jaar op een droge en verluchte plaats. De aangebrachte beschermingsmiddelen ongerept laten.

##### In open lucht

Maximaal 6 maanden in open lucht

De tandwielkast moet gevuld worden met een kleine hoeveelheid minerale olie met een roestwerend vluchtig additief. Alle openingen van de tandwielkast (zoals de peilstang, de verluchting, de verwarmers) hermetisch afsluiten en hermetisch afgesloten houden tijdens behandeling en transport.

#### 3.2. LANGDURIG

##### In een gesloten ruimte

Maximaal 5 jaar op een droge en verluchte plaats.

In geval dat de tandwielkasten voor maximaal 5 jaar op een droge en verluchte plaats opgeslagen worden, zullen de tandwielkasten terug gevuld worden met een kleine hoeveelheid minerale olie met een roestwerend vluchtig additief na het tweede en het vierde jaar. De roestbescherming op de assen zal gecontroleerd worden en desnoods verbeterd worden.

Bij deze gelegenheden moet de sneldraaiende as gedraaid worden tot de traagdraaiende as twee volledige omwentelingen heeft uitgevoerd. Nadien worden de tandwielkasten terug hermetisch afgesloten.

##### In open lucht

Maximaal 2 jaar in open lucht, verpakt in een hermetisch gesloten hoes en een zeewaardige kist.

- n** **Opmerking**  
 Alle tandwielkasten behandeld en ingepakt voor langdurige opslag dragen volgende zelfklever met een waarschuwing en instructies.

#### AANDACHT

Deze tandwielkast bevat .... liters vluchtige corrosiewerende olie.

OM ONTSNAPPEN VAN DE DAMPEN OF DE OLIE TE VOORKOMEN, DE TANDWIELKAST IN TRANSPORTPOSITIE STOCKEREN EN HERMETISCH GESLOTEN HOUDEN TOT INBEDRIJFNAME

#### ALVORENS IN BEDRIJF TE STELLEN

- vervang de rode stoppen door de bijgeleverde peilstang en verluchtingsstop (stop of filter).
- laat de beschermolie af en vul de tandwielkast met de juiste hoeveelheid voorgeschreven tandwielkast-olie (zie ook de onderhoudsvoorschriften).

- !** In sommige gevallen is het noodzakelijk de tandwielkast vóór inbedrijfstelling te spoelen met de te gebruiken olie. Controleer dit met de olieleverancier. Zie paragraaf 6.5, blz 40: Eerste olievulling. Zie hoofdstuk 9, blz 42: Inbedrijfstelling.

**Behandel oliën en smeermiddelen met de nodige voorzorgen en volgens de behandelings- en veiligheidsvoorschriften die moeten geleverd worden door de leveranciers van smeermiddelen op verzoek van de klant. Deze voorschriften moeten overhandigd worden aan het personeel dat de installatie, onderhoud of herstelling van de tandwielkast uitvoert.**




**De tandwielkast niet openen in de omgeving van vlammen, vonken of hete voorwerpen. Neem preventieve voorzorgen om het personeel te beschermen tegen vluchtige corrosiewerende stoffen.**

### 4. BEHANDELING

De **Hansen P4** tandwielkasten zijn gemakkelijk te hanteren en te installeren d.m.v. geïntegreerde ovaalvormige hijsogen bij de horizontale uitvoeringen en door oogmoeren of geïntegreerde stangen bij verticale uitvoeringen. Gebruik steeds alle voorziene ogen met aangepaste gereedschappen om een goede lastverdeling te verzekeren.

- !** **Gebruik de bevestigde oogmoeren of monteer de gepaste oogmoeren aan de voeten van het huis. Oogmoeren mogen niet verwijderd worden en moeten volledig vastgeschroefd zijn alvorens de kast op te tillen. De tandwielkasten nooit bij hun assen of met behulp van de motorlantaarn optillen.**

#### Oogmoeren bevestigd aan de tandwielkast

Max. Kracht aan de oogmoer (kN)	M16	M20	M22	M24	M27	M30	M33
	7	12	15	18	26	36	36
	4	7	8,7	10	15	20	20
	3,5	6	7,6	9	13	18	18

#### Horizontale uitvoering

##### - Eentrapstandwielkasten (type QHP.1)

Gebruik het geïntegreerd hijsog en de gepaste oogmoeren bevestigd aan de voeten van het huis.

Grootte tandwielkast	C	D	E	F	G
Zijde langzaamdr. as	M22	M27	M27	M33	M33
Zijde sneldraaiende as	Gebruik enkel het geïntegreerd hijsog.				

##### - Meertrapstandwielkasten (type QH...)

Gebruik enkel de geïntegreerde ovaalvormige hijsogen

#### Verticale uitvoering

##### - Tweetrapstandwielkasten (type QV..2)

Grootte tandwielkast	C	D	E	F	G	H
Zijde langzaamdr. as	M16	M16	M20	M24	Gebruik enkel de geïntegreerde stangen	
Zijde sneldraaiende as	M20	M24	M24	M30		

##### - Drietrapstandwielkasten (type QV..3)

Grootte tandwielkast	C	D	E	F	G	H
Zijde langzaamdr. as	M16	M16	M20	M24	M30	M30
Zijde sneldraaiende as	M16	M20	M24	M24	M30	M30

##### - Voor tandwielkasten (type QV...), grootten J tot en met T

Gebruik enkel de geïntegreerde stangen

- !** Bij behandeling van tandwielkasten uitgerust met pompsmering is voorzichtigheid geboden. In sommige gevallen kan het nodig zijn thermometers, manometers en een gedeelte van de leidingen te demonteren. Hierbij dient men er op te letten dat er geen vreemde voorwerpen in het systeem terecht komen.

## 5. INSTALLATIE

### 5.1. MONTAGE VAN TOEBEHOREN

De spiebanen in aseinden met metrische maten worden uitgevoerd volgens DIN 6885 "Blatt 1 - Form N1 of N3".

De getapte gaten in deze assen zijn volgens DIN 332 Teil 2 Form D.

De montage van koppelingen op assen gebeurt met klempassing volgens de specificaties. In geval van twijfel, HANSEN raadplegen.

Verwijder de bescherming van de aseinden en controleer de passing en de hoogte van de spiebaan in het te monteren element.

Het volstaat het te monteren element op te warmen tot 80-100°C.

Maak eventueel gebruik van het getapt gat in de as als hulp bij montage.

#### ! Nooit monteren door middel van hamerslagen : risico van lagerbeschadiging.

Geen starre koppeling aanwenden, behalve voor een niet gesteunde machineas (bv. bij roerders of beluchters) of een opstelling met reactiestang.

#### ! 5.2. UITWENDIGE BELASTINGEN

Ingeval de tandwielkast door uitwendige krachten wordt belast, dienen er stootblokken tegen de voeten aangebracht te worden om verplaatsing te voorkomen.

Componenten die radiale krachten overbrengen op de as dienen zo dicht mogelijk tegen het huis gemonteerd te worden.

Vermijd overdreven spanning in een riemtransmissie gemonteerd op de snel- of langzaamdraaiende as. Bij aandrijfgroepen bestaande uit motor, riemtransmissie en tandwielkast wordt de spanning van de riemen geregeld vóór verzending. De spanning terug controleren na 24 uur bedrijf.

Kettingtransmissies monteren zonder voorspanning.

Indien een rondsel op een aseind wordt gemonteerd, moet de normaal vereiste speling tussen rondsel en wiel worden ingesteld en dient gecontroleerd te worden of de vertanding voldoende draagt.

### 5.3. INPLANTING

#### 5.3.1. Opstelling

#### ! De tandwielkast uitsluitend opstellen in de positie waarvoor ze werd besteld.

Indien dat niet mogelijk is, gelieve HANSEN te raadplegen daar het mogelijk is dat de smeringsvoorzieningen moeten worden aangepast.

#### ! 5.3.2. Uitlijning

De tandwielkast zo nauwkeurig mogelijk met motor en lastwerktuig horizontaal uitlijnen binnen de volgende limieten : 5 mm op 1 m (5/32 duim op 3 voet of 5 mrad of 17 minuten) of binnen de limieten aangegeven op de maattekening voor niet horizontale opstellingen.

De maximaal toelaatbare onderlinge asuitlijningsfout hangt af van de koppelingen op de aseinden : zie richtlijnen van de gebruikte koppeling.

Voor de uitlijning dient gebruik te worden gemaakt van 3 steunpunten van de tandwielkast. Na de uitlijning dienen de andere steunpunten ondervuld te worden tot 0,1 à 0,2 mm nauwkeurig, afhankelijk van de kastgrootte.

### 5.4. BEVESTIGING VAN VOLLE AS TANDWIELKASTEN

#### ! De tandwielkast op een stijve en stevige basis of fundering plaatsen zodat er geen trillingen en mogelijke overbelasting van de bevestigingsvoeten van het huis kunnen optreden. De steunpunten gebruiken die op de maattekening zijn aangeduid.

Na correcte uitlijning en ondervulling van alle steunpunten, de tandwielkast stevig op haar fundering vastzetten met bouten, klasse 8.8 volgens DIN 267 of SAE klasse 5 voor bouten tot 1 1/2", ASTM.A-354 klasse BC voor bouten groter dan 1 1/2". Afmetingen en aanhaalmomenten: zie tabel.

Opmerking: bij bepaalde horizontale uitvoeringen met evenwijdige assen en ventilatoren, dient eerst de beschermkap van de ventilator gedemonteerd te worden vooraleer de bouten kunnen vastgezet worden. Hierna wordt de beschermkap terug gemonteerd.

#### 5.4.1. Aanhaalmomenten voor stalen bouten Klasse 8.8

##### Horizontale uitvoering

##### - Eentrapstandwielkasten (type QHP.1)

Kastgrootte	C	D	E	F	G	
Boutmaat klasse 8.8	ISO	M20	M24	M24	M30	M30
Aanhaalmoment	Nm	335	675	675	1350	1350
Boutmaat klasse 5	UNC	3/4"	7/8"	1"	1 1/8"	1 1/4"
Aanhaalmoment	lbf.in	2950	4850	6000	10300	12000

##### - Meertrapstandwielkasten (type QH...)

Kastgrootte	A	B	C	D	E-F	G-H-J-K	L-M	N-P-Q	R-S-T	
Boutmaat klasse 8.8	ISO	M16	M20	M24	M24	M30	M36	M42	M48	M56
Aanhaalmoment	Nm	180	335	675	675	1350	2350	3800	5700	9150
Boutmaat klasse 5 / klasse BC	UNC	5/8"	3/4"	7/8"	1"	1 1/4"	1 1/2"	1 3/4"	2"	2 1/4"
Aanhaalmoment	lbf.in	1550	2950	4850	6000	12000	21000	33650	50750	81050

##### Verticale uitvoering

##### - Meertrapstandwielkasten (type QV...)

Kastgrootte	A	B	C	D	E	F-G(1)	G(2)-H-J-K	L-M-N-P-Q	R-S-T	
Boutmaat klasse 8.8	ISO	M16	M20	M24	M30	M30	M36	M42	M48	M56
Aanhaalmoment	Nm	180	335	675	1350	1350	2350	3800	5700	9150
Boutmaat klasse 5 / klasse BC	UNC	5/8"	3/4"	1"	1 1/8"	1 1/4"	1 1/2"	1 3/4"	2"	2 1/4"
Aanhaalmoment	lbf.in	1550	2950	6000	10300	12000	21000	33650	50750	81050

(1) grootte G : 2-traps uitvoering

(2) grootte G : 3- en 4-traps uitvoering

#### 5.4.2. Aanhaalmomenten voor roestvrij stalen bouten Klasse 80

##### Horizontale uitvoering

##### - Eentrapstandwielkasten (type QHP.1)

Kastgrootte	C	D	E	F	G	
Boutmaat klasse 80	ISO	M20	M24	M24	M30	M30
Aanhaalmoment	Nm	340	Op verzoek			
Boutmaat klasse 5	UNC	3/4"	7/8"	1"	1 1/8"	1 1/4"
Aanhaalmoment	lbf.in	3000	Op verzoek			

##### - Meertrapstandwielkasten (type QH...)

Kastgrootte	A	B	C	D	E-F	G-H-J-K	L-M	N-P-Q	R-S-T	
Boutmaat klasse 80	ISO	M16	M20	M24	M24	M30	M36	M42	M48	M56
Aanhaalmoment	Nm	185	340	Op verzoek						
Boutmaat klasse 5 / klasse BC	UNC	5/8"	3/4"	7/8"	1"	1 1/4"	1 1/2"	1 3/4"	2"	2 1/4"
Aanhaalmoment	lbf.in	1650	3000	Op verzoek						

##### Verticale uitvoering

##### - Meertrapstandwielkasten (type QV...)

Kastgrootte	A	B	C	D	E	F-G(1)	G(2)-H-J-K	L-M-N-P-Q	R-S-T	
Boutmaat klasse 80	ISO	M16	M20	M24	M30	M30	M36	M42	M48	M56
Aanhaalmoment	Nm	185	340	Op verzoek						
Boutmaat klasse 5 / klasse BC	UNC	5/8"	3/4"	1"	1 1/8"	1 1/4"	1 1/2"	1 3/4"	2"	2 1/4"
Aanhaalmoment	lbf.in	1650	3000	Op verzoek						

(1) grootte G : 2-traps uitvoering

(2) grootte G : 3- en 4-traps uitvoering

De uitlijning van aandrijfgroepen gemonteerd op een basis, wordt vóór de verzending zorgvuldig gecontroleerd. Toch is het noodzakelijk na te gaan of de basis niet vervormd werd tijdens transport of installatie, en wel door de uitlijning van koppelingen of andere elementen opnieuw te controleren na definitieve installatie van de aandrijfgroep.

## 5.5 BEVESTIGING VAN HOLLE AS TANDWIEL-KASTEN

### 5.5.1. Tandwielkast met holle as met krimp-schijf

De krimp-schijf geleverd door HANSEN is klaar voor installatie.

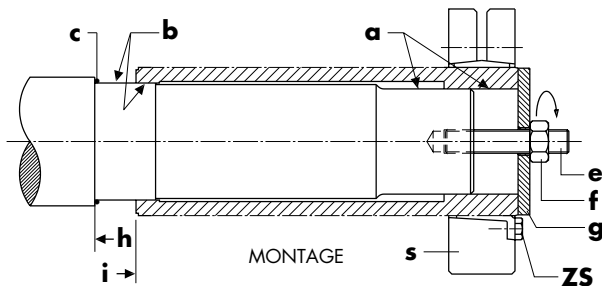
Haal de krimp-schijf niet uit elkaar vóór de eerste montage. Standaard wordt het HSD-type gebruikt (fig. 1c). Op verzoek is ook het SD-type mogelijk (fig. 1d).

#### Montage (fig. 1a)

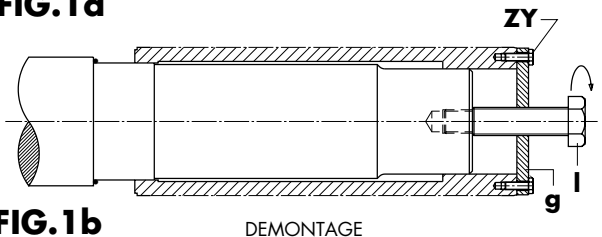
- Pasvlakken (a) en (b) zuiver en vetvrij maken
- Pasvlak (b) - **NOOIT pasvlak (a)** - bespuiten met "Molykote D321R" of een analoog smeermiddel.
- Na verharding van het smeermiddel, O-ring (c) op de as plaatsen.
- De tandwielkast op de as trekken d.m.v. draadstang (e), moer (f) en drukschijf (g) tot de vlakken (h) en (i) aanliggen.

- ! Krimp-schijf (s) monteren. De positie van de krimp-schijf is aangeduid met een positioneergroef op de as. De bouten (ZS) aanschroeven met een momentsleutel. Het vereiste aanspanmoment voor het HSD-type is in tabel 1 en voor het SD-type op de maattekening terug te vinden.

**OPMERKING : Nooit de bouten van de krimp-schijf aanschroeven in niet-gemonteerde toestand.**



**FIG. 1a**



**FIG. 1b**

#### HSD type (fig. 1c)

De aanhaalmomenten (TA) zijn in tabel 1 en op het kenmerkplaatje (p) terug te vinden. Wanneer de frontvlakken van binnen- (n) en buitenring (o) in één-zelfde vlak liggen, zijn de bouten op de juiste voorspanning gebracht (optische controle).

#### SD type (fig. 1d)

De aanhaalmomenten zijn op het kenmerkplaatje (p) en op de maattekening terug te vinden. Verwijder de afstandsringen tussen de buitenringen(o), aangebracht omwille van het transport. Zorg dat beide buitenringen parallel blijven tijdens montage en bij het aanschroeven van de bouten.

#### HSD + SD types

Bouten(ZS) één na één, in aangegeven volgorde (q), progressief in meerdere ronden aanschroeven tot het vereiste aanhaalmoment (TA) bereikt is. De bouten niet kruisgewijs aanschroeven. Beschermkap aanbrengen.

#### Bevestiging bij axiale belasting

Bij axiale belasting, die zo gericht is dat ze niet door de kraag van de machineas wordt opgenomen, is het gebruik van een drukschijf (g) noodzakelijk (zie fig 2b, blz 38).

#### Demontage (fig. 1b)

- Alle bouten (ZS) (fig. 1c/1d) gelijkmatig losdraaien, één na één, een kwartdraai per keer.
- Indien de binnen- en buitenring van het HSD type niet vanzelf loskomen, kan men enkele bouten verwijderen en in de getapte gaten (r) (fig 1c) van

- de binnenring draaien om beide ringen te scheiden.
- Verwijder de krimp-schijf van de holle as.
- Bevestig de drukschijf (g) op de holle as d.m.v. bouten (ZY), (afmetingen voor ZY: zie maattekening).
- Monteer afdrukbout (l) in het centraal gat in de drukschijf (g).
- Draai bout (l) aan om de tandwielkast van de aangedreven as te verwijderen.

#### Opmerking:

De onderdelen e,f,g,l en ZY behoren niet tot onze levering. (Kunnen wel optoneel geleverd worden). Gegevens: zie catalogus of maattekening.

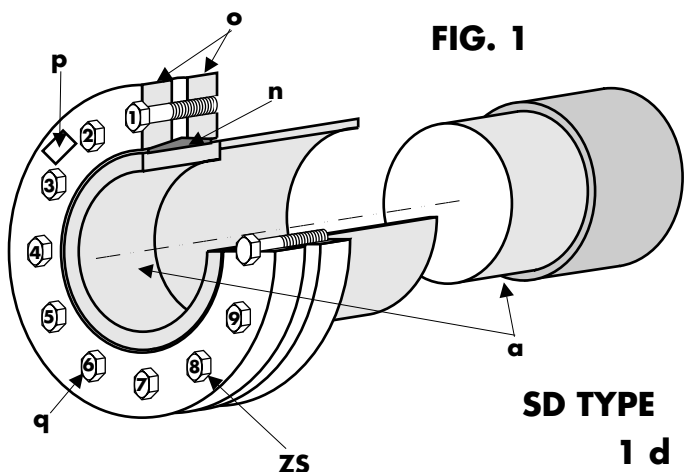
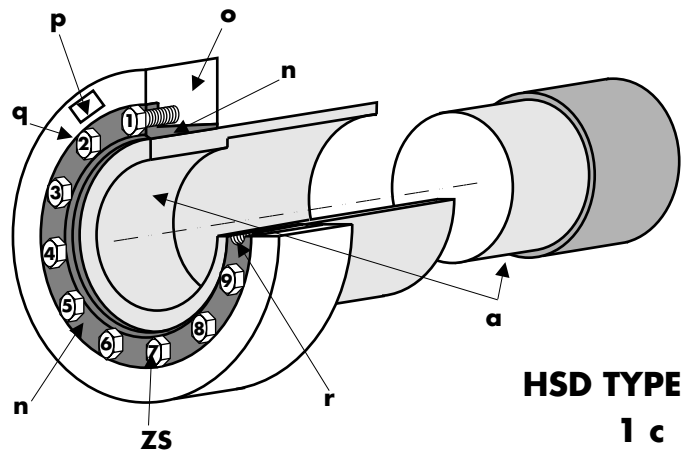
#### Reiniging en smering

Gedemonteerde krimp-schijven dienen niet uit elkaar gehaald te worden voor reiniging en smering vóór hergebruik tenzij zij in een zeer vuile werkomgeving gebruikt werden.

Na reiniging de conische vlakken instrijken met een vaste smeerstof met een wrijvingscoëfficiënt van 0,04 (bvb. Molykote D321R of een gelijkwaardig product).

Tabel 1: enkel voor type HSD

Krimp-schijven	TA Nm	TA lbf.in
HSD 110-81x110	121	1070
HSD 125-81x125	121	1070
HSD 140-81x140	193	1700
HSD 165-81x165	295	2600
HSD 185-81x185	295	2600
HSD 220-81x220	570	5000
HSD 240-81x240	570	5000
HSD 260-81x260	570	5000
HSD 280-81x280	570	5000
HSD 320-81x320	980	8600
HSD 340-81x340	980	8600
HSD 360-81x360	980	8600
HSD 390-81x390	1450	12800
HSD 420-81x420	1450	12800
HSD 440-81x440	1450	12800
HSD 480-81x480	1450	12800
HSD 500-81x500	1970	17400
HSD 530-81x530	1970	17400



**5.5.2. Tandwielkast met holle as met spieverbinding**

**Montage** (fig. 2a)

- Behandel de pasvlakken (b) van de machineas met montagepasta.
- Plaats de O-ring (c) op de machineas.
- Leg de meegeleverde montagespie (d) in de spiebaan van de machineas, met de aanslag van de spie tegen de asspiegel.
- Plaats de tandwielkast op de machineas. Let er op dat de spiegroeven t.o.v. elkaar gepositioneerd staan.
- Trek de tandwielkast op de as d.m.v. draadstang (e), moer (f) en drukschijf (g) tot de montagespie (d) en de drukschijf (g) mekaar raken.
- Verwijder moer (f), drukschijf (g) en montagespie (d).
- Controleer of de spie (m) (fig. 2b) bovenaan voldoende speling heeft.
- Breng de spie (m) aan (≠ montagespie).
- Monteer terug drukschijf (g) en moer (f).
- Trek de tandwielkast verder op de as tot de vlakken (h) en (i) aanliggen.
- Verwijder moer (f), drukschijf (g) en draadstang (e).

**Bevestiging** (fig. 2b)

- Breng drukschijf (g) opnieuw aan en bevestig deze aan de machineas met de daartoe voorziene bevestigingsbouten (J).
- Monteer het beschermdksel (k).

**n** In geval van uitwendige axiale belastingen op de as, moeten de speciale instructies op de maatschets gevolgd worden.

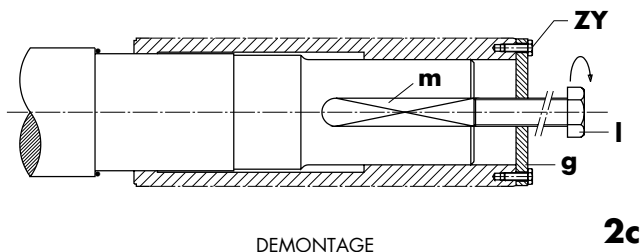
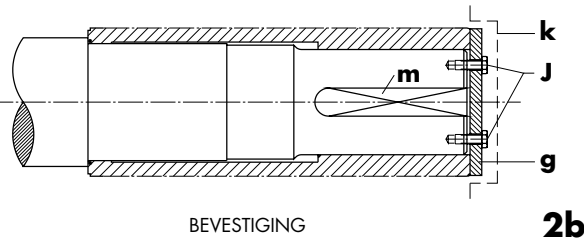
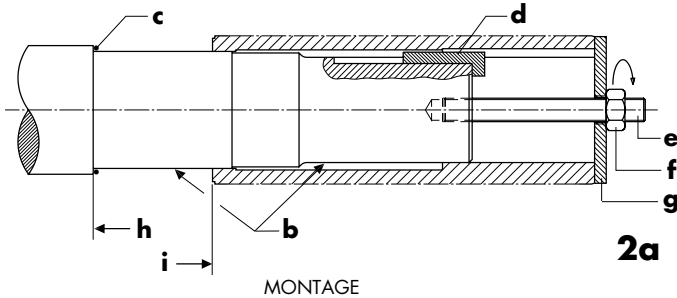
**Demontage** (fig. 2c)

- Verwijder beschermdksel (k) (fig. 2b) en de bevestigingsbouten (J) (fig. 2b).
- Bevestig de drukschijf (g) op de holle as d.m.v. bouten (ZY) (afmetingen voor ZY: zie maattekening).
- Monteer afdrukbout (I) in het centraal gat in de drukschijf (g).
- Draai bout (I) aan om de tandwielkast van de aangedreven as te verwijderen

**Opmerking**

De onderdelen e, f, I en ZY behoren niet tot onze levering (kunnen wel optioneel geleverd worden).  
Gegevens: zie catalogus of maattekening.

**FIG. 2**



**5.5.3. Montage van de reactiestang**

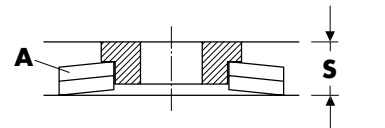
Na montage van de tandwielkast op de aangedreven as (zie par. 5.5.1. of 5.5.2.), dient men de tandwielkast met behulp van de in optie geleverde reactiestang aan een vast reactiepunt te bevestigen. De bevestigingsplaats van de reactiestang aan de kast is op de maattekening of in de catalogus aangegeven.

De vereiste flexibele en soepele verbinding wordt door de voorgespannen schotelveren van de reactiestang gerealiseerd.

**!**

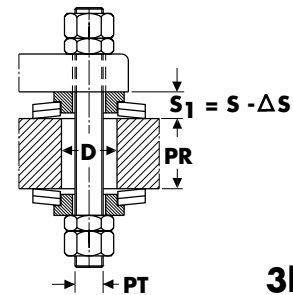
De voorspanning van de schotelveren (A) wordt als volgt ingesteld:

- Bepaal de afstand S (fig. 3a), dit is de hoogte van het veerpakket in onbelaste, niet gemonteerde toestand.
- Draai de moeren aan tot afstand S1 (afstand tussen de tandwielkast en het steunpunt) = S - ΔS (fig. 3b, 3c, 3d)
- ΔS = indrukking schotelveren (tabel 2,3 en 4) verkregen door het gewicht van de tandwielkast en het aandraaien van de moeren.
- Wanneer de afstand S1 ingesteld is, de moeren borgen door de buitenste moer en de tegenmoer tegen elkaar op te spannen.



**FIG. 3**

**3a**

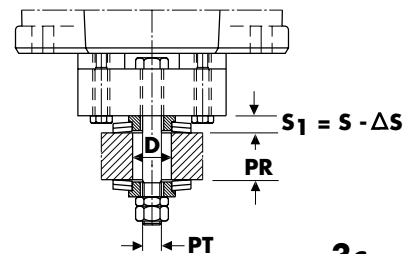


**3b**

Tabel 2

Tandwielkast grootte	D ±5	PT	PR max		ΔS		A	
			mm	inch	mm	inch	Q*	DIN 2093
<b>QH.A2</b>	35	M16	40	1.57	0,7	0.028	2 x 2	A 80
<b>QH.B2</b>	35	M20	50	1.97	0,7	0.028	2 x 2	A 80
<b>QH.C2</b>	45	M24	60	2.36	0,9	0.035	2 x 2	A 100
<b>QH.D2</b>	45	M24	60	2.36	0,9	0.035	2 x 3	A 100
<b>QH.E2</b>	60	M30	75	2.95	1,0	0.039	2 x 3	A 125
<b>QH.F2</b>	60	M30	75	2.95	1,0	0.039	2 x 3	A 125
<b>QH.G2</b>	60	M36	90	3.54	1,0	0.039	2 x 4	A 125
<b>QH.H2</b>	60	M36	90	3.54	1,0	0.039	2 x 4	A 125

Q\*: Aantal schotelveren

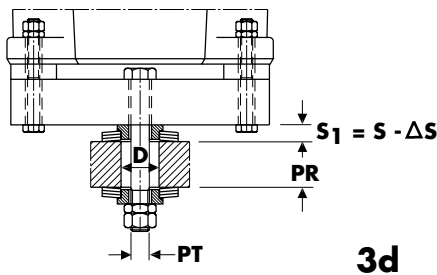


**3c**

Tabel 3

Tandwielkast grootte	D ±5	PT	PR max		ΔS		A	
			mm	inch	mm	inch	Q*	DIN 2093
<b>QH.C3</b>	35	M20	50	1.97	0,7	0.028	2 x 3	A 80
<b>QH.D3 - QH.D4</b>	45	M24	60	2.36	0,9	0.035	2 x 2	A 100
<b>QH.E3 - QH.E4</b>	45	M24	60	2.36	0,9	0.035	2 x 3	A 100
<b>QH.F3 - QH.F4</b>	60	M30	75	2.95	1,0	0.039	2 x 2	A 125
<b>QH.G3 - QH.G4</b>	60	M36	90	3.54	1,0	0.039	2 x 3	A 125
<b>QH.H3 - QH.H4</b>	60	M36	90	3.54	1,0	0.039	2 x 3	A 125

Q\*: Aantal schotelveren



Tabel 4

Tandwielkast grootte	D ±5	PT	PR max		ΔS		A	
			mm	inch	mm	inch	Q*	DIN 2093
<b>QH.J3 - QH.J4</b>	80	M42	105	4.1	1,4	0.055	2 x 3	A 160
<b>QH.K3 - QH.K4</b>	80	M42	105	4.1	1,4	0.055	2 x 3	A 160
<b>QH.L3 - QH.L4</b>	80	M48	120	4.7	1,4	0.055	2 x 4	A 160
<b>QH.M3 - QH.M4</b>	80	M48	120	4.7	1,4	0.055	2 x 4	A 160

Q\*: Aantal schotelveren

## 5.6. SMERING NA INSTALLATIE

**Na opstelling, uitlijning en bevestiging van de tandwielkast moet deze gesmeerd worden. Alle instructies vermeld in hoofdstuk 6 "SMERING" moeten opgevolgd worden.**

**Indien een lange bedrijfsstilstand voorzien wordt alvorens de tandwielkast op te starten, moeten de instructies vermeld in paragraaf 10.7 "LANGERE BEDRIJFSSTILSTAND" opgevolgd worden.**

## 6. SMERING

Smering is noodzakelijk om 4 redenen :

- voorkomen van metaal/metaal contact bij tandwielen en lagers
- verminderen van de wrijvingsverliezen
- afvoeren van de door tandwielen en lagers opgewekte warmte
- voorkomen van corrosie

Verscheidene smeersystemen kunnen gebruikt worden, afhankelijk van

- de omtreksnelheid van de tandwielen
- de montagepositie van de tandwielkast
- de bedrijfsomstandigheden

In de HANSEN tandwielkasten worden volgende smeersystemen gebruikt:

- smering door indompeling in het oliebad
- pompsmering: - olie-omloopsmering
- druksmering

Eventueel kan een bijkomende koeling noodzakelijk zijn (zie KOELING)

### 6.1. SMERING DOOR INDOMPELING IN HET OLIEBAD

Bij tandwielkasten met horizontale assen en met snelheden tussen 750 min<sup>-1</sup> en 1800 min<sup>-1</sup> aan de sneldraaiende as, worden alle tandwielen en de lagers van de langzaamdraaiende as standaard door indompeling in het oliebad gesmeerd. De opspattende olie wordt opgevangen en via kanalen naar de andere lagers verdeeld.

Voor andere snelheden; gelieve HANSEN te raadplegen.

### 6.2. POMPSMERING

Alle roterende elementen die zich boven het oliebad bevinden worden door een pomp gesmeerd. Er wordt ofwel een aangebouwde pomp gebruikt (aangedreven door één van de assen van de tandwielkast) ofwel een motorpomp. De aangebouwde pompen zijn voorzien van een inwendig omkeermecanisme, waardoor beide draairichtingen mogelijk zijn. Bij motorpompen is de draairichting steeds aangeduid. Aangebouwde pompen geven reeds na enkele seconden hun volledig debiet.

**Motorpompen moeten tenminste 1 min. vóór het in werking stellen van de tandwielkast ingeschakeld worden.**

#### 6.2.1. Omloopsmering

- Met aangebouwde pomp (fig. 4)

Het olie-omloopsmeersysteem met aangebouwde pomp bestaat uit :

- een pomp P
- een filter F met "by-pass" (standaard vanaf tandwielkast grootte G)
- een debietschakelaar Mf (standaard vanaf tandwielkast grootte G)

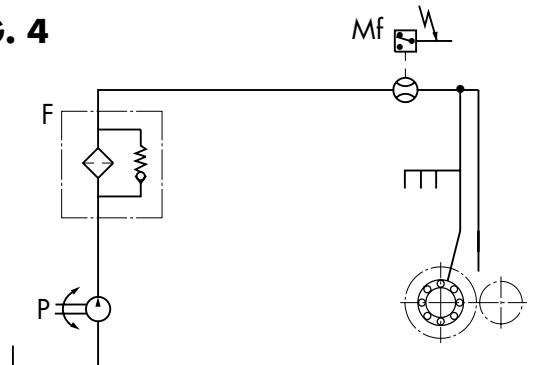
**De debietschakelaar moet zo afgesteld zijn dat de hoofdaandrijfmotor stopt wanneer het oliedebiet onder een bepaalde veiligheidsgrens daalt.**

**Toch raden wij aan om, ongewenste alarmsignalen te vermijden tijdens de startperiode of bij onregelmatig oliedebiet, het alarm zo af te stellen dat het signaal pas na 5 à 10 seconden in werking treedt.**

- Met motorpomp

Het bedrijfshandboek i.v.m. de koel- en smeerinstallatie bevat gedetailleerde informatie over het olie-omloopsmeersysteem met motorpomp.

FIG. 4



#### 6.2.2. Druksmering

Het bedrijfshandboek i.v.m. de koel- en smeerinstallatie bevat gedetailleerde informatie over het druksmeersysteem.

#### 6.2.3. Aanbouwtoestellen en hun afstellingen

De maattekening, het bedrijfshandboek i.v.m. de koel- en smeerinstallatie en/of de technische handleidingen over specifieke aanbouwtoestellen die samen met dit document worden verstrekt, bevatten gedetailleerde informatie over het smeersysteem, aanbouwtoestellen en instelwaarden.

**De instelwaarden (settings) die op de maattekeningen vermeld staan, werden door HANSEN ingesteld tijdens het proefdraaien en mogen niet gewijzigd worden zonder onze schriftelijke toestemming.**

"Presettings" daarentegen zijn waarden die HANSEN voorlopig heeft ingesteld. Zij mogen aangepast worden aan de bedrijfsomstandigheden.

## 6.3. KEUZE VAN DE OLIE

Tenzij anders aangegeven op het kenmerkplaatje (\*) of in het speciale technische bedrijfshandboek voor een specifieke tandwielkast (indien bestaand), moet de olie worden geselecteerd uit de tabel met door de respectievelijke merkmaleigenaars aanbevolen minerale oliën en smeermiddelen, op blz. 48.

(\*): Bijvoorbeeld, indien synthetische olie ("synthetic oil") wordt voorgeschreven.

**Uitsluitend oliën gebruiken waarvan type en viscositeit beantwoorden aan de gegevens van de kenmerkplaat.**

De viscositeiten werden bepaald aan de hand van de bedrijfsvoorwaarden vermeld bij de orderbevestiging.

Voor viscositeiteenheden equivalent aan ISO viscositeit klasse VG: zie tabel van de smeermiddelen op blz. 48.

De leveranciers van de smeermiddelen zijn verantwoordelijk voor de keuze en de samenstelling van hun producten.

**Synthetische oliën mogen alleen gebruikt worden mits schriftelijke toestemming van de HANSEN Engineering-afdeling.**

**In dat geval mogen enkel de door HANSEN middels merk- en produktnaam gespecificeerde synthetische oliën gebruikt worden.**

**Deze synthetische oliën zullen van het polyalpha-olefine type zijn (SHF-type = Synthetic Hydrocarbon Fluid).**

Om de lagerlevensduur te bestendigen is het sterk aanbevolen om olie met een initiële oliereinigheid van -/15/12 (of beter) volgens ISO 4406 te gebruiken.

Raadpleeg de olieleverancier om deze oliekwaliteit te bekomen.

**Behandel oliën en smeermiddelen met de nodige voorzorgen en volgens de behandelings- en veiligheidsvoorschriften die moeten geleverd worden door de leveranciers van smeermiddelen op verzoek van de klant. Deze voorschriften moeten overhandigd worden aan het personeel dat de installatie, onderhoud of herstelling van de tandwielkast uitvoert.**

**6.4. HOEVEELHEID OLIE** (zie fig. 5)

**M** Het minimaal en maximaal oliepeil is d.m.v. merktekens aangeduid op de peilstang.

Eventuele andere oliepeilaanduidingen zijn slechts indicatief. Visualisatie van het oliepeil d.m.v. een kijkglas of bewaking van het oliepeil d.m.v. een niveauschakelaar is optioneel beschikbaar.

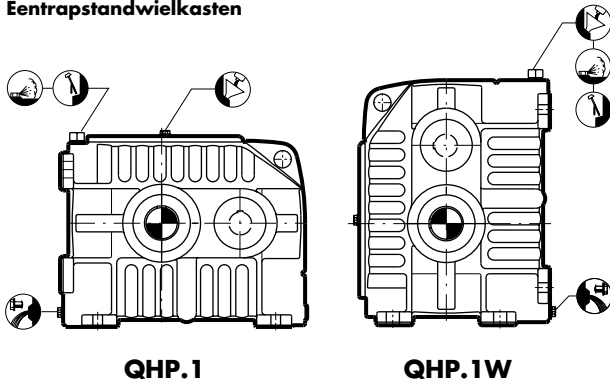
**PEILSTANGEN VOORZIEN VAN EEN STOP MET SCHROEFDRAAD STEEDS INSCHROEVEN OM HET OLIEPEIL TE METEN. Het oliepeil steeds meten wanneer de tandwielkast niet in werking is.**

**Bij een tandwielkast met filter en koeler moet het oliepeil nagezien worden nadat het smeersysteem gevuld is met olie en een korte proefloop van de installatie werd uitgevoerd.**

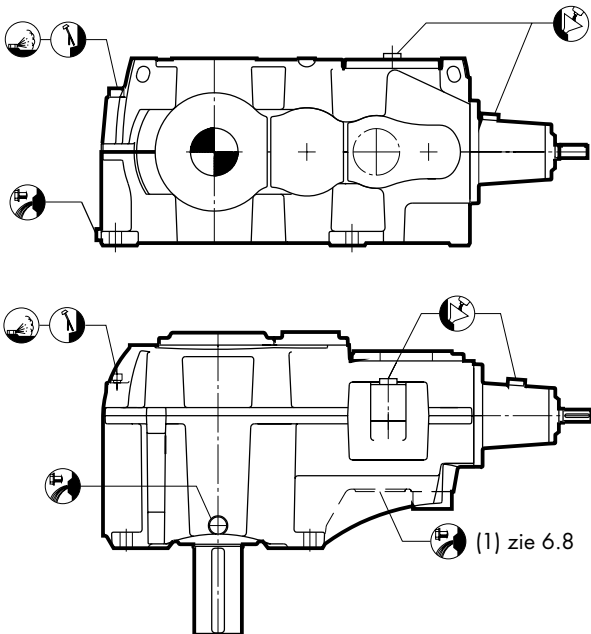
Het vullen van het smeersysteem, inclusief de koeler, gebeurt automatisch van zodra de oliebadtemperatuur meer dan 60°C bedraagt. Indien niet kan gewacht worden tot het oliebad deze temperatuur bereikt heeft, dient men de koeler manueel te ontluften terwijl de pomp in bedrijf is. De hoeveelheid olie vermeld op de kenmerkplaat van de tandwielkast is slechts een benaderende waarde, gegeven met het oog op het aanschaffen van de olie.

**FIG. 5**

**- Eentrapstandwielkasten**



**- Meertrapstandwielkasten**



Type en positie van de zelfklevers: raadpleeg de maattekening of kijk op de tandwielkast



Peilstang



Ledigen



Vullen



Verluchten

**M 6.5. EERSTE OLIEVULLING** (zie fig. 5)

De tandwielkast mag pas met olie gevuld worden, als ze definitief is opgesteld. Bij tandwielkasten met verticaal neerwaarts gerichte langzaamdraaiende as, voorzien van een flensbus (olieslot), kan hierin bij het verplaatsen olie doordringen.

**Vul de tandwielkast uitsluitend via de daartoe voorziene vulopening in het inspectiedeksel. Op die manier worden alle lagers van verse olie voorzien.**

**Opmerkingen:**

- Bijkomende olievulling van het lagerhuis.

**4-traps horizontale tandwielkasten met haakse assen (QHR.4) en 3- en 4- traps verticale tandwielkasten met haakse assen (QVR.3 + QVR.4) vereisen bij de eerste olievulling een bijkomende oliehoeveelheid in het lagerhuis.**

**Zie speciale zelfklever op de tandwielkast.**

**De extra oliehoeveelheid hiervoor is op de maattekening en op de zelfklever vermeld.**

**- Vulling van een tandwielkast met motorbasis M1 of M3.**

Bij tandwielkasten met horizontale assen (QH...) voorzien van een motorbasis M1 of M3 moet er bij de eerste olievulling, eveneens een kleine hoeveelheid olie gevuld worden via het kijkdeksel in het bovenvlak (zie speciale zelfklever op de tandwielkast).

Indien er tussen motorbasis en bovenvlak van de tandwielkast onvoldoende ruimte is voor deze olievulling is het nodig de riemen te demonteren en de motorbasis omhoog te draaien.

Bij tandwielkasten met M1 motorbasis bevindt de normale vulopening zich aan de kant van de sneldraaiende as, t.i.z. aan de tegengestelde kant van de peilstang.

Bij tandwielkasten met M3 motorbasis bevindt de normale vulopening zich nu aan de kant van de peilstang

Indien de tandwielkast gevuld werd met roestwerende olie dient deze te worden afgelaten. In sommige gevallen is het noodzakelijk de tandwielkast vóór inbedrijfstelling te spoelen met de te gebruiken olie. Controleer dit met de olieleverancier.

Om de lagerlevensduur te bestendigen is het sterk aanbevolen om olie met een initiële oliereinheit van -/15/12 (of beter) volgens ISO 4406 te gebruiken.

Raadpleeg de olieleverancier om deze oliekwaliteit te bekomen.

**M 6.6. KEUZE VAN HET VET** (zie tabel blz. 48)

Indien de tandwielkast is uitgerust met onderdelen die vetsmering behoeven, en tenzij anders aangegeven op het kenmerkplaatje of in het speciale technische bedrijfshandboek voor een specifieke tandwielkast (indien bestaand), moet het vet worden geselecteerd uit de tabel met door de respectievelijke merknaameigenaars aanbevolen minerale oliën en smeermiddelen op blz 48 van dit bedrijfshandboek.

Gebruik uitsluitend vet van goede kwaliteit met consistentie NLGI klasse 3. Bij nasmeerbare labyrintafdichtingen en bij toepassingen waar uitsluitend het onderste lager van de langzaamdraaiende as vetgesmeerd wordt, kan een vet met NLGI klasse 2 toegelaten worden.

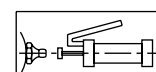
De leveranciers van de smeermiddelen zijn verantwoordelijk voor de keuze en de samenstelling van hun producten.

**M 6.7. VETSMEEPUNTEN** (zie fig. 5)

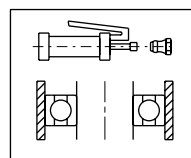
De smeerpunten van lagers welke niet door het oliebad worden gesmeerd, alsmede die voor de labyrintafdichtingen, zijn voorzien van nippels volgens DIN 71412, waarin vóór verzending vet werd aangebracht.

Het aantal smeerpunten is op de kenmerkplaat vermeld.

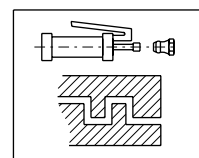
Bepaalde separaat gemonteerde terugloopblokkeringen worden met vet gesmeerd. Verdere gegevens staan in de bijhorende handleiding.



Vetsmeerpunten



Vetsmeerpunt voor lagers



Vetsmeerpunt voor labyrintafdichting



**M 6.8. LEDIGING** (zie fig. 5)

**!** Laat de olie aflopen terwijl de tandwielkast nog warm is. Wees voorzichtig bij het aflaten van warme olie, gebruik een gepast vat.

Om dit te vergemakkelijken, verwijdert men eerst de peilstang. Om tandwielkasten met een grote oliehoeveelheid te ledigen, zuigt men deze via de olieafloop leeg met behulp van een draagbare pomp.

Bij bepaalde uitvoeringen blijft hierbij een minimale hoeveelheid olie onder de sneldraaiende lagers aanwezig. Indien gewenst, kan m.b.v. een tweede afloopstop (1) ook deze olie verwijderd worden.

**M 6.9. VERLUCHTING** (zie fig. 5)

Overdruk wordt voorkomen door een in de peilstang geïntegreerde of afzonderlijke verlichting.

**Controleer regelmatig of de luchtinlaat niet verstopt is.**

In bepaalde gevallen wordt de peilstang met geïntegreerde verlichting vervangen door een gesloten uitvoering en wordt er op de tandwielkast een stofwerende of vochtwerende verlichtingsstop voorzien, beveiligd tegen spatwater.

**7. KOELING**

De door wrijving en woeling ontwikkelde warmte in de tandwielkast, dient via het huis naar de omgeving afgevoerd te worden. Het is dus belangrijk de warmteafvoercapaciteit van het huis niet te verminderen. Zorg voor een goede luchtcirculatie. Reinig regelmatig het oppervlak van het huis.

**M 7.1. SUPPLEMENTAIRE KOELING MET LUCHT**

**!** 7.1.1. Ventilatoren

Een of twee ventilatoren kunnen op de assen van de tandwielkast voorkomen.

**!** **Opgelet**  
**De tandwielkast niet in bedrijf nemen zonder geschikte beschermkappen**

**M 7.2. Controleer regelmatig of de luchtinlaat noch de luchtuitlaat verstopt zijn.**

Ventilatoren vergen als enig onderhoud een sporadische schoonmaakbeurt.

7.1.2. Olie-luchtkoelers

Het bedrijfshandboek i.v.m. de koel- en smeerinstallatie bevat gedetailleerde informatie over de olie-luchtcoeler.

**7.2. SUPPLEMENTAIRE KOELERS MET WATERCIRCULATIE**

Koelsystemen met watercirculatie moeten op een waterleiding met niet-kalkhoudend water aangesloten worden: zie ook het bedrijfshandboek i.v.m. de koel- en smeerinstallatie en/of de technische handleidingen over specifieke componenten.

Het gebruik van zeewater moet bij bestelling vermeld worden, hiervoor zijn aangepaste koelers beschikbaar.

**!** Bij tandwielkasten die niet in bedrijf zijn en die gevaar lopen aan vast blootgesteld te worden, dient men het water uit het koelsysteem af te tappen. Het materiaal dat hier toe nodig is, dient door de gebruiker voorzien te worden.

De watertoevoer vermeld op de maattekening is het vereiste debiet voor water van 20°C, tenzij anders vermeld. Afhankelijk van de belasting, de omgevingstemperatuur en de watertemperatuur kan de toevoer desnoods kleiner zijn. Hij dient zo geregeld te worden dat in bedrijf de olietemperatuur tussen de 60 en 80°C handhaaft.

7.2.1. Olie-waterkoelers

Aansluiting aan het koelmedium dient overeenkomstig de aanduiding op de maattekening te geschieden.

Het bedrijfshandboek i.v.m. de koel- en smeerinstallatie bevat gedetailleerde informatie over de olie-watercoeler.

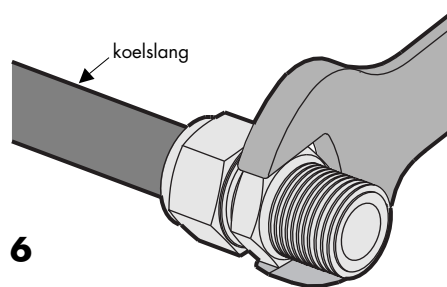
7.2.2. Koelsslagen

De doorstroomrichting is vrij te kiezen.

Koelsslagen zijn geschikt voor zowel zoet- als zeewater.

Maximum toelaatbare waterdruk: 8 bar.

**Aansluiting van de koelslang aan de watertoevoer.**



**FIG. 6**

**!** **Opgelet:** Om het torsen van de koelslang te voorkomen dient bij het aansluiten het voorgemonteerde koppelingstuk met een gepaste sleutel vastgehouden te worden zoals aangegeven in fig.6 (zie hierboven).

**8. TERUGLOOPBLOKKERING**

Terugloopblokkeringen zijn onderhevig aan slijtage en moeten nagekeken of vervangen worden na een tijdspanne afhankelijk van de bedrijfsvoorwaarden. De klant moet de nodige voorzorgen nemen om te vermijden dat een gebrekkige werking van de terugloopblokkering de oorzaak is van verwondingen aan mensen en/of zware schade aan de aandrijfgroep en/of toepassing.

De tijd tussen twee inspecties bedraagt ten hoogste 2 jaar en hangt af van de bedrijfsomstandigheden en de frequentie van blokkeren. Indien de terugloopblokkering deel uitmaakt van een aandrijfgroep voor hijswerktuigen die onderworpen is aan periodieke veiligheidscontrole, dan geldt deze controle eveneens voor de terugloopblokkering.

Bij transport van personen moet de gebruiker de plaatselijke veiligheidsvoorschriften in verband met inspectiewerken navolgen.

**!** Een inspectie of vervanging van de terugloopblokkering is in volgende omstandigheden eveneens noodzakelijk:

- In geval van demontage van de tandwielkast of een deel ervan.
- Bij abnormale slijtage of uitbreken van materiaal van tandwielen, lagers of andere elementen of bij olievervuiling wanneer dit nadelig zou zijn voor de klemrollen en de loopringen van de terugloopblokkering.

Het resultaat van de periodische inspectie moet in een logboek genoteerd worden.

**!** **De terugloopblokkering mag nooit, ook niet gedeeltelijk, worden losgemaakt wanneer de tandwielkast belast is. Gebeurt dit toch dan kan dit tot omkering van de draairichting leiden waardoor de last achteruit kan lopen. Alvorens de terugloopblokkering te demonteren, verwijder de last en beveilig de aandrijfgroep tegen ongewenste bewegingen.**

**8.1. STANDAARD TERUGLOOPBLOKKERING, GEÏNTEGREERD IN DE KAST**

De terugloopblokkeringen worden door het oliebad van de tandwielkast gesmeerd en vergen, buiten de periodieke inspecties, geen verder onderhoud.

**8.2. EXTERN GEMONTERDE TERUGLOOPBLOKKERING**

Wanneer de tandwielkast met een externe terugloopblokkering is uitgerust geldt de specifieke bedrijfshandleiding voor onderhoud en inspectie. Bovenvermelde bedrijfsinstructies moeten eveneens nageleefd worden.

**!** **De draairichting van de teruglooprem mag enkel door bevoegd personeel worden gewijzigd volgens de richtlijnen van de bijhorende handleiding.**

## ❗ 9. INBEDRIJFSTELLING

### 9.1. ALLE TANDWIELKASTEN

**Vóór het starten het olieniveau d.m.v. de peilstang controleren en ook nagaan of alle smeerpunten gesmeerd zijn.**

Hoewel in alle vetsmeernippels vet werd aangebracht vóór levering, is het toch aan te raden enkele stoten met een smeerpompje te geven vóór het in bedrijf stellen.


Controleer ook de bevestiging van de tandwielkast op haar fundering : de bouten moeten na een tijdje wellicht aangetrokken worden.


De uitlijning van aandrijfgroepen gemonteerd op een basis, wordt vóór de verzending zorgvuldig gecontroleerd. Toch is het noodzakelijk na te gaan of de basis niet vervormd werd tijdens transport of installatie, en wel door de uitlijning van koppelingen of andere elementen opnieuw te controleren na definitieve installatie van de aandrijfgroep.

Let er op dat alle beschermkappen, en eventuele luchtgeleidingskappen in geval van ventilatorcooling, vakkundig gemonteerd worden.

De tandwielkasten zijn geschikt voor beide draairichtingen, behalve wanneer de draairichting aangeduid is.

### 9.2. TANDWIELKAST MET TERUGLOOPBLOKKERING

 **De gebruiker moet de noodzakelijke voorzorgsmaatregelen nemen om de goede werking van de terugloopblokkering te controleren en te waarborgen**

 **Vooraleer de motor te verbinden met een tandwielkast welke voorzien is van een terugloopblokkering, nagaan of de draairichting van deze laatste met die van de motor overeenstemt.**

Bij complete aandrijfgroepen dient hiertoe de draairichting van de motor met een fasemeter gecontroleerd te worden.

**Aandrijven van de tandwielkast in sperrichting - ook kortstondig - kan de terugloopblokkering blijvend beschadigen en is dus ontoelaatbaar.**

De tandwielkasten uitgerust met een verwarmingselement mogen pas gestart worden zodra de oliebadtemperatuur hoger is dan 5°C. Het verwarmingselement moet automatisch uitgeschakeld worden bij een olie-temperatuur boven de 15°C.

Afhankelijk van de belasting zal de temperatuur van het oliebad toenemen. Een max. oliebadtemperatuur van 95°C voor een standaard tandwielkast gevuld met minerale olie is toegelaten.

### 9.3. TANDWIELKAST MET POMPSMERING

Voor gedetailleerde informatie i.v.m. het smeersysteem, zie het bedrijfshandboek i.v.m. de koel- en smeerinstallatie en/of de technische handleidingen over specifieke componenten.

### 9.4. TANDWIELKAST AANGEDREVEN DOOR EEN MOTOR MET 2 TOERENTALEN

Indien van het hoger naar het lager toerental teruggeschakeld wordt, dient de installatie eerst dermate te vertragen dat de motor bij het terug inschakelen opnieuw moet versnellen. Deze procedure is vereist om hoge synchronisatiekoppelpieken te vermijden.

## 10. ONDERHOUD

Het onderhoud beperkt zich tot de controle van het olieniveau, het regelmatig verversen van de olie, het nasmeren met vet en het reinigen van de filters.

Hoeveelheid olie : zie paragraaf 6.4, blz. 40.

Lediging : zie paragraaf 6.8, blz. 41.

**Gelieve eveneens de andere paragrafen met  aangeduid te lezen.**

### 10.1. INSPECTIE EN ONDERHOUD

 **Draaiende delen kunnen verwondingen en schade veroorzaken.**

**Voor inspectie en onderhoud steeds de aandrijving afzetten en tegen ongewild aanschakelen en draaien beschermen.**

## 10.2. VERVERSEN VAN DE OLIE EN NASMEREN VAN DE VETSMEERPUNTEN

### 10.2.1. ALGEMENE RICHTLIJNEN

**Behandel oliën en smeermiddelen met de nodige voorzorgen en volgens de behandelings- en veiligheidsvoorschriften die moeten geleverd worden door de leveranciers van smeermiddelen op verzoek van de klant. Deze voorschriften moeten overhandigd worden aan het personeel dat de installatie, onderhoud of herstelling van de tandwielkast uitvoert.**

Gebruik zuivere olie uit zuivere vaten. Het binnendringen van schuurdeeltjes en water moet vermeden worden. Het watergehalte moet onder de 0,05% blijven (afgeleid van een titratiemethode die aanvaard wordt door de olieleverancier).

Om de lagerlevensduur te bestendigen is het sterk aanbevolen om olie met een initiële oliereiniging van -/15/12 (of beter) volgens ISO 4406 te gebruiken.

Raadpleeg de olieleverancier om deze oliekwaliteit te bekomen.

**Het is aangewezen de olieversing vóór de zomer uit te voeren, zodat tijdens de meest kritische periode met hoge thermische belasting nieuwe olie gebruikt wordt.**

**Indien de tandwielkast voorzien is van een verwarmingselement, moet dit verwarmingselement uitgeschakeld zijn vooraleer de olie afgelaten wordt.**

Olie aflaten als de tandwielkast warm is. Voorzichtigheid is geboden bij het aflaten van warme olie. Gebruik gepaste vaten voor warme olie.

Telkens olie verversd wordt, is het aangewezen de tandwielkast en het bijhorende smeer- en koelsysteem te spoelen met nieuwe olie. De gebruikte spoelolie aflaten. Controleer, voor de zekerheid, dat de elementen van het smeer- en koelsysteem degelijk geledigd zijn. Vergeet niet het filterpatroon te vernieuwen.

Werkwijze en specificaties zijn beschreven in het bedrijfshandboek van het smeer- en koelinstallatie en/of in de technische handleidingen van de specifieke componenten.

Metaalgaasfilterelementen kunnen na reiniging in een oplosmiddel hergebruikt worden. Wegwerffilterelementen kunnen niet gereinigd worden.

**Externe oliepeilstangen en oliekijglazen zullen regelmatig op olieniveau gecontroleerd worden ten opzichte van de oliepeilstang van de tandwielkast.**

### 10.2.2. OLIEVERVERSING EN NASMEREN MET VET

#### De eerste olieversing

Na 100 uren en niet later dan na 800 uren effectief bedrijf - eerst de vetsmeerpunten, indien aanwezig, nasmeren (zie paragraaf 10.4) - Het nasmeren gebeurt als de tandwielkast nog warm is.

- ververs de olie. Gebruik nieuw olie of gebruik de afgelaten olie na filtering. Het volume van de afgelaten olie wordt minstens 10 keer gefilterd met een filter van 10 µm of kleiner. De filter moet compatibel zijn met de gebruikte olie. De afgelaten olie niet met de filterinstallatie van de tandwielkast filteren.

- Na het filteren van de olie, vernieuw het filterelement van de smeerinstallatie van de tandwielkast.

#### Filter (indien aanwezig)

Telkens na 800 bedrijfsuren het filterelement vernieuwen tenzij de filter een vervuilingindicator bezit. Alvorens het filterelement te vernieuwen laat de tandwielkast een tijdlang draaien na het bijvullen van smeervet indien dit van toepassing is.

#### Nasmeren met vet (indien vetsmeerpunten aanwezig)

**Lagers:** telkens na 800 bedrijfsuren vet bijvoegen (zie paragraaf 10.4).

**Labyrintdichtingen:** telkens na 3000 bedrijfsuren vet bijvoegen (zie paragraaf 10.4).

#### De volgende olieversingen

Na 4000 tot 8000 bedrijfsuren of na max. 18 maanden

- eerst de vetsmeerpunten, indien aanwezig, nasmeren (zie paragraaf 10.4) terwijl de tandwielkast nog warm is.

- ververs de olie. Gebruik nieuwe zuivere olie uit zuivere vaten.


Het binnendringen van schuurdeeltjes en water moet vermeden worden.

- vernieuw het filterelement van de smeerinstallatie, indien aanwezig.

## 10.3. OLIEMONSTER

Indien de bedrijfstemperatuur voortdurend tussen 80° en 95°C ligt, of in geval van een stoffige en vochtige omgeving, is het raadzaam - na 4000 bedrijfsuren - een monster van de olie te laten ontleiden door (een laboratorium erkend door) de oliemerkmaleigenaar. Hij kan de juiste levensduur van de olie bepalen.

De oliebadtemperatuur mag nooit hoger dan 95°C zijn, vermits bij hogere temperaturen de olie zeer snel kan onttaarden.

 Een representatief oliemonster zal eerder rechtstreeks van het oliebad genomen worden (open het inspectiedeksel onmiddellijk na het stilleggen van de installatie). Eventueel kan een oliemonster genomen worden door een bepaalde hoeveelheid olie via de smeerleiding af te laten (volume van de smeerleiding + 2 liter). Open de aflaatkraan of smeerleiding, laat de nodige hoeveelheid olie af alvorens het representatief monster te nemen. Gebruik gepaste zuivere "monster"-flessen.

 **Opgelet: voorzichtigheid is geboden bij het afdelen van warme olie. Gebruik gepaste vaten voor warme olie.**

 **Alvorens in bedrijfstelling, controleer het olieniveau met de peilstang en voeg olie toe indien noodzakelijk.**

#### 10.4. VETSMEERPUNTEN

Te gebruiken vetten: zie paragraaf 6.6 op blz.40

Vethoeveelheid voor laggers: zie blz. 44-45

Vethoeveelheid voor labyrintdichtingen: zie blz. 46

Nasmeerintervallen: zie punt 10.2.2

Langere smeerintervallen zijn dikwijls mogelijk: raadpleeg hiervoor HANSEN.

#### 10.5. REINIGEN VAN HET VERWARMINGSELEMENT

Indien de tandwielkast voorzien is van een verwarmingselement en om de levensduur van het verwarmingselement te verlengen, is het aangewezen om het verwarmingselement regelmatig (bij iedere olieversing) te reinigen en te ontdoen van aanslag.

#### 10.6. ONDERHOUDSVRIJE OIL-LOCK™ DICHTING ONDERHOUDSVRIJE OIL-GUARD™ DICHTING (als optie)

##### Onderhoudsvrije OIL-LOCK™

Op de sneldraaiende assen is standaard de OIL-LOCK™ dichting voorzien. Voor de Hansen P4 eentrapstandwielkasten zijn sneldraaiende en langzaam draaiende assen voorzien van een OIL-LOCK™ dichting.

Door haar centrifugale werkingsprincipe is zij slijtage- en onderhoudsvrij.

De dubbelwerkende OIL-LOCK™ afdichting werkt bovendien als een labyrint tegen penetratie van vuil en vocht.


De demontage van de OIL-LOCK™ dichting dient door bevoegd personeel uitgevoerd te worden.

##### Onderhoudsvrije OIL-GUARD™

Op de sneldraaiende assen kan de OIL-GUARD™ dichting als optie voorzien worden. Deze afdichting bestaat uit een conische ring die zeer nabij het bewerkt deksel draait en als centrifugaalpomp werkt. De ring bevindt zich tussen de olie en de radiale afdichtingsring. Tijdens de werking, zelfs in ondergedompelde toestand, verzekert de Hansen OIL-GUARD™ een lekvrije toestand.

De demontage van de OIL-GUARD™ dichting dient door bevoegd personeel uitgevoerd te worden.

#### 10.7. LANGERE BEDRIJFSSTILSTAND

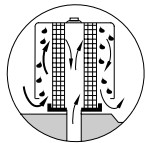
 Wanneer de tandwielkast gedurende langere periodes niet in bedrijf is, dan is er een reëel risico voor roestvorming van de interne onderdelen doordat de beschermende oliefilm met de roestwerende additieven stilaan verdwijnt van de blanke staaloppervlakken.

De kans op roestvorming is sterk afhankelijk van de omgevingsomstandigheden (vochtige, maritieme, tropische of chemisch agressieve omgeving).

Een periodieke visuele controle van de interne onderdelen via het inspectiedeksel van de tandwielkast is noodzakelijk.

Corrosie kan vermeden worden door de tandwielkast om de 14 dagen (frequentie afhankelijk van de omgevingsomstandigheden) enkele minuten te laten draaien waardoor een nieuwe oliefilm ontstaat.

Monteer een speciale verluchtingsfilter (met de hieronder getoonde sticker gemerkt) om het binnendringen van vocht in de tandwielkast te verhinderen.



Wanneer het niet mogelijk is de tandwielkast regelmatig te laten draaien, ondanks het verhoogd risico op corrosie, zijn volgende beschermingsmaatregelen tijdens een langere bedrijfsstilstand nodig:

- voeg aan het olievolume een concentraat toe dat oplosbaar is in olie en waarvan de corrosiewerende stoffen actief zijn, zowel in vloeibare als gasvormige toestand. Een concentratie van 2% is normaal. Over de werkingduur, de compatibiliteit met de gebruikte olie en de concentratie moet de olieleverancier uitsluitend geven.
- Sluit alle openingen van de tandwielkast hermetisch af (oliepeilstang, verluchting enz.).


 **Alvorens een nieuwe inbedrijfstelling uit te voeren, lees hoofdstukken 9 en 10. De hermetische dichtingen aan de openingen van de tandwielkast verwijderen.**

#### 10.8. DIENST NA VERKOOP

Voor technische bijstand of bijkomende informatie staan de HANSEN verkoopcentra te uwer beschikking. Wanneer U met hen contact opneemt, gelieve het volledige typenummer en het fabricagenummer, die te vinden zijn op de kenmerkplaat van de tandwielkast, te vermelden.

#### 10.9. HERSTELLINGEN

Herstellingen mogen uitsluitend uitgevoerd worden door bevoegd personeel en met originele HANSEN onderdelen.

 Er mogen geen producten of substanties in de tandwielkast worden gebruikt die bij wederinbedrijfstelling van de tandwielkast vreemde bestanddelen (o.a. in het bijzonder vaste of wrijvingsverminderende additieven) in de olie zouden brengen.

**Grease quantity  
(Type Q.) in g  
for bearings**

Type is indicated on the nameplate

Greases recommended by the oil suppliers: see page 48

**Sticker on gear unit:**

**Quantité de graisse  
(Type Q.) en g  
pour roulements**

Le type de graisse est indiqué sur la plaque signalétique

Graisses préconisées par les fournisseurs d'huile: voir page 48

**Autocollant sur le réducteur:**

**Fettmenge  
(Typ Q.) in g  
für Lager**

Typ ist auf dem Typeschild angegeben

Fette von dem Öllieferanten empfohlen: siehe Seite 48

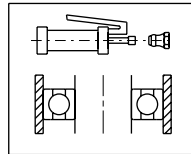
**Aufkleber auf dem Getriebe:**

**Vethoeveelheid  
(Type Q.) in g  
voor lagers**

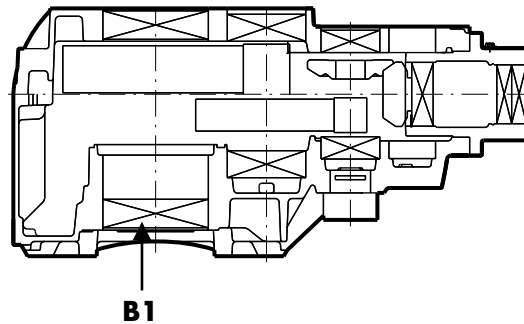
Type is op de kenmerkplaat vermeld

Vetten aanbevolen door de olieleveranciers: zie blz. 48

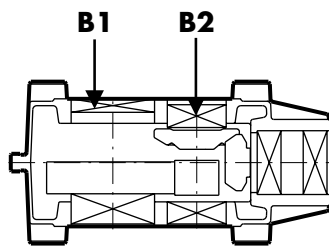
**Zelfklever op de tandwielkast:**



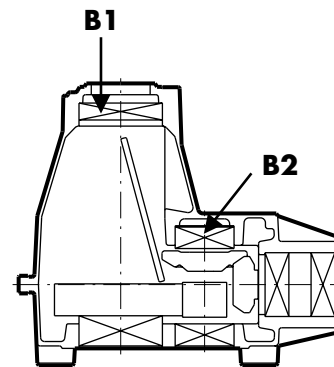
**FIG. 7**



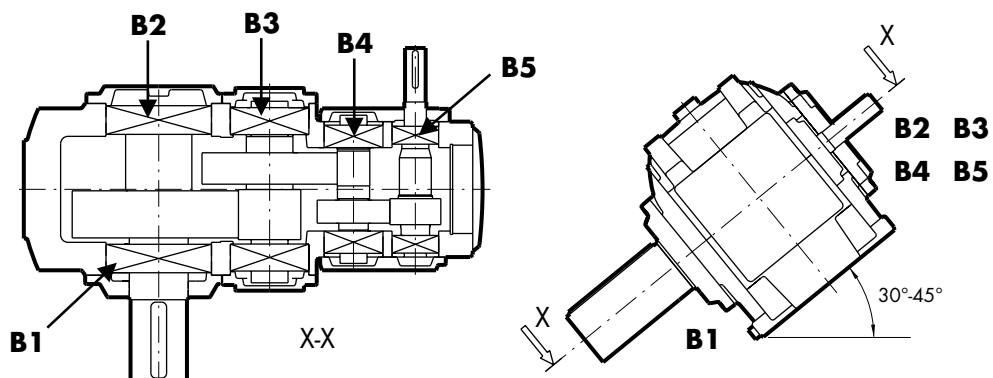
**FIG. 8**



**FIG. 9**



**FIG. 10**



**Grease quantity  
(Type Q.) in g  
for bearings**

Type is indicated on the nameplate

Greases recommended by the oil suppliers: see page 48

**Sticker on gear unit:**
**Quantité de graisse  
(Type Q.) en g  
pour roulements**

Le type de graisse est indiqué sur la plaque signalétique

Graisses préconisées par les fournisseurs d'huile: voir page 48

**Autocollant sur le réducteur:**
**Fettmenge  
(Typ Q.) in g  
für Lager**

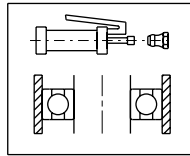
Typ ist auf dem Typeschild angegeben

Fette von dem Öllieferanten empfohlen: siehe Seite 48

**Aufkleber auf dem Getriebe:**
**Vethoeveelheid  
(Type Q.) in g  
voor lagers**

Type is op de kenmerkplaat vermeld

Vetten aanbevolen door de olieleveranciers: zie blz. 48

**Zelfklevend op de tandwielkast:**


Size Taille Baugröße Grootte	Type - Typ Q1	Type - Typ Q2	Type - Typ Q3	Type - Typ Q4		Type - Typ Q5	
	Fig. 7	Fig. 7	Fig. 7	Fig. 8		Fig. 9	
	B1	B1	B1	B1	B2	B1	B2
Z				10	20	10	20
A				20	20	20	20
B				30	30	30	30
C	50	60	50				
D	60	80	60				
E	90	110	90				
F	120	150	120				
G	170	200	170				
H	180	230	180				
J	220	280	220				
K	260	320	260				
L	320	400	320				
M	340	410	340				
N	380	380	290				
P	470	470	350				
Q	490	490	360				
R	500	500	380				
S	600	600	440				
T	620	620	470				

Size Taille Baugröße Grootte	Type - Typ Q6	Type - Typ Q7	Type - Typ Q8	Type - Typ Q9				
	Fig. 7	Fig. 7	Fig. 7	Fig. 10				
	B1	B1	B1	B1	B2	B3	B4	B5
Z								
A								
B								
C	100				50	30	20	10
D	130	100	120		60	40	30	20
E	180	130	170		90	50	40	20
F	240	180	220		120	80	50	30
G		220	320					
H		280	400	180				
J		320	410	220				
K		320	500	260				
L		410	590	320				
M		370	700	340				
N				290				
P				350				
Q				360				
R								
S								
T								

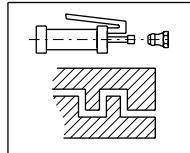
Bearings without grease nipple are oil lubricated.

Les roulements sont lubrifiés à l'huile s'ils ne possèdent pas de points de graissage.

Lager ohne Schmiernippel sind vom Ölbad geschmiert.

Lagers zonder vetsmeernippel worden door het oliebad gesmeerd.

- |   |   |   |   |   |   |   |
|---|---|---|---|---|---|---|
| <b>Grease quantity in g for labyrinth seal</b>        | - | <b>Quantité de graisse en g pour garniture à labyrinthe</b>     | - | <b>Fettmenge in g für Labyrinthdichtungen</b>         | - | <b>Vethoeveelheid in g voor labyrintdichtingen</b>      |
| Greases recommended by the oil suppliers: see page 48 | - | Graisses préconisées par les fournisseurs d'huile: voir page 48 | - | Fette von dem Öllieferanten empfohlen: siehe Seite 48 | - | Vetten aanbevolen door de olieleveranciers: zie blz. 48 |
| <b>Sticker on gear unit:</b>                          | - | <b>Autocollant sur le réducteur:</b>                            | - | <b>Aufkleber auf dem Getriebe:</b>                    | - | <b>Zelfklevend op de tandwielkast:</b>                  |



## On low speed shaft - A l'arbre petite vitesse - An langsamdrehender Welle - Aan langzaamdraaiende as

Single stage gear units - Réducteurs à un étage - Einstufige Getriebe - Eentrapstandwielkasten

Gear unit-Réducteur-Getriebe-Tandwielkast Type - Typ	g	Gear unit-Réducteur-Getriebe-Tandwielkast Type - Typ	g	Gear unit-Réducteur-Getriebe-Tandwielkast Type - Typ	g
QHRC1Z..N	75	QHPC1	10	QVPZ1	10
QHRD1Z..N	75	QHDP1	10	QVPB1	10
QHRF1Z..N	45	QHPE1	15		
		QHPP1	25		
		QHPP1	35		

Multi stage gear units - Réducteurs à plusieurs étages - Mehrstufige Getriebe - Meertrapstandwielkasten

Gear unit-Réducteur-Getriebe-Tandwielkast Size - Taille - Baugröße - Grootte	..N g	..D / ..K g	Gear unit-Réducteur-Getriebe-Tandwielkast Type - Typ	g
C	25	25	QVRZ2	50
D	35	25	QVRZ2L	30
E	55	30	QVRA2	70
F	60	65	QVRA2L	40
G	75	65	QVRB2	50
H	60	120	QVRB2L	55
J	60	130		
K	130	145		
L	135	155		
M	145	160		
N	215			
P	230			
Q	240			
R	255			
S				
T				

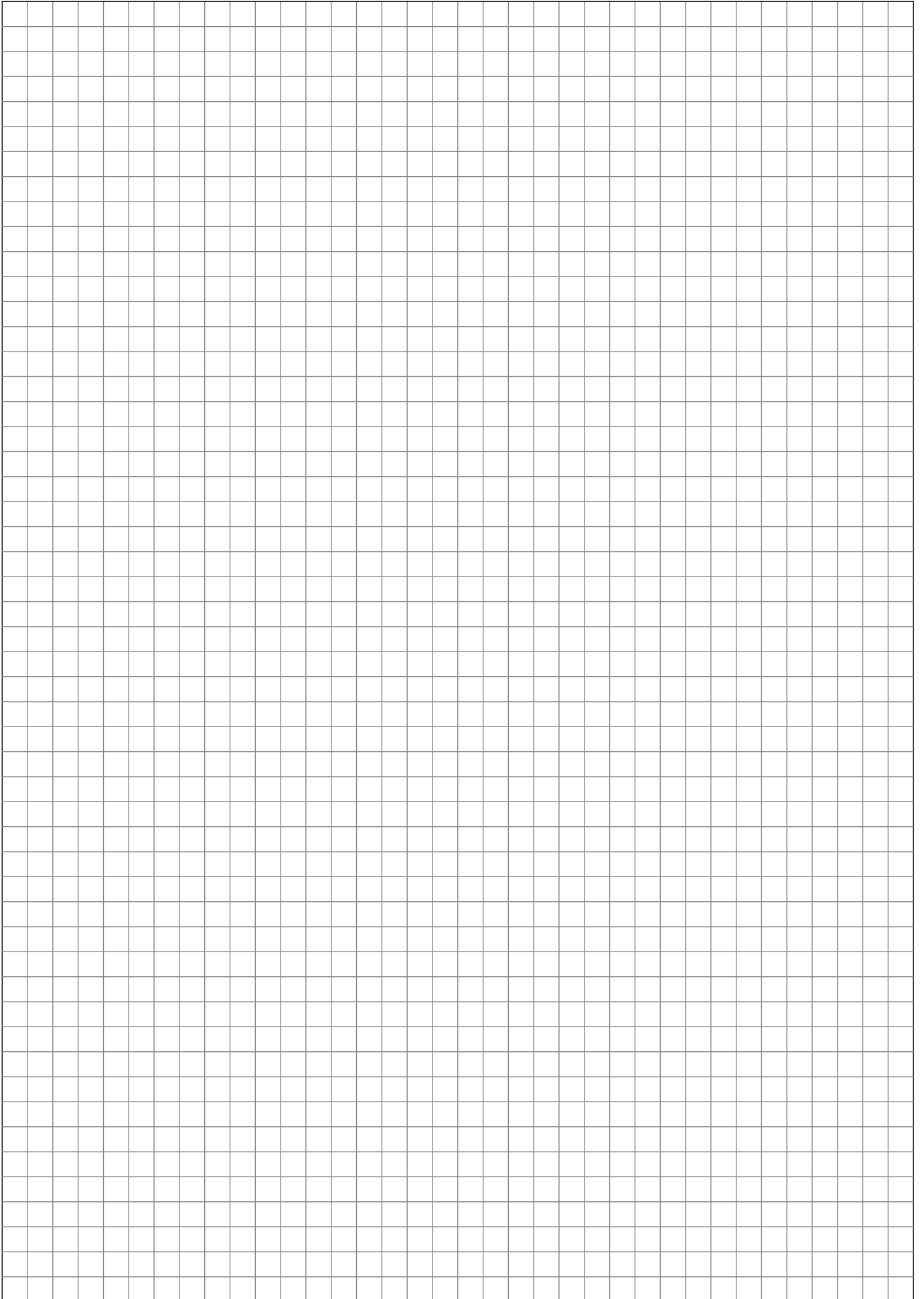
## On high speed shaft - A l'arbre grande vitesse - An schnelldrehender Welle - Aan sneldraaiende as

Single stage gear units - Réducteurs à un étage - Einstufige Getriebe - Eentrapstandwielkasten

Gear unit-Réducteur-Getriebe-Tandwielkast Type - Typ	g
QHPC1	10
QHDP1	10
QHPE1	20
QHPP1	30
QHPP1	40

Multi stage gear units - Réducteurs à plusieurs étages - Mehrstufige Getriebe - Meertrapstandwielkasten

Gear unit-Réducteur-Getriebe-Tandwielkast Size - Taille - Baugröße - Grootte	QHP..		QHR..			QVP..		QVR..		
	QHP.2	QHP.3	QHR.2	QHR.3	QHR.4	QVP.2	QVP.3	QVR.2	QVR.3	QVR.4
Z	-	-	-	-	-	-	-	10	-	-
A ./ . H	10	10	10	10	10	10	10	10	10	10
J ./ . T	20	20	20	20	20	20	20	20	20	20



# Lubricants

for Hansen P4 standardized gear units

Not for wind turbine application

Unless indicated otherwise on the gear unit's name plate (\*), the oils and lubricants must be selected from the table below, containing mineral oils and greases recommended by the respective brand name owners. The required viscosity grade of the oil is mentioned on the name plate. (\*): for instance mineral oil and synthetic oil are different oils.

# Lubrifiants

pour réducteurs standard Hansen P4

Pas pour l'application d'éolienne

Sauf indication contraire sur la plaque signalétique du réducteur (\*), les huiles et les lubrifiants doivent être sélectionnés à partir du tableau (ci-dessous) des graisses et des huiles minérales préconisées par les propriétaires de marques respectifs. La viscosité requise de l'huile est indiquée sur la plaque signalétique. (\*): par exemple de l'huile minérale et de l'huile synthétique ("Synthetic oil") sont des types d'huile différents.

# Schmierstoffe

für Hansen P4 Normzahnradgetriebe

Nicht für Windturbine-anwendung

Wenn nicht anders angegeben auf dem Leistungsschild des Getriebes (\*), müssen die Öle und Schmierstoffe aus der untenstehende Tabelle mit von den jeweiligen Markennameigentümern empfohlenen Mineralöle und Fette ausgewählt werden. Der erforderliche Viskositätsgrad des Öls ist auf dem Typenschild markiert. (\*): Zum Beispiel: Mineralöle und Synthetiköle ("Synthetic oil") sind unterschiedliche Ölsorten.

# Smeermiddelen

voor Hansen P4 standaard tandwielkasten

Niet voor windmolen-toepassing

Tenzij anders aangegeven op het kenmerkplaatje van de tandwielkast (\*), moeten de oliën en smeermiddelen worden geselecteerd uit de onderstaande tabel met door de respectievelijke merknaam eigenaars aanbevolen minerale oliën en smeermiddelen. De vereiste viscositeit van de olie is op het kenmerkplaatje aangegeven. (\*): Bijvoorbeeld minerale olie en synthetische olie ("Synthetic oil") zijn verschillende oliesoorten.

mm <sup>2</sup> /s 40°C	ISO VG 150 (1)	ISO VG 220	ISO VG 320	ISO VG 460	Bearing grease Graisse pour roulement Wälzlagerfett Lagervet (2)	Storage oil Huile antirouille Rostschutzöl Roestwerende olie (3)
AGMA	4 EP	5 EP	6 EP	7 EP	Energrease LS-EP 2 Energrease LS-EP 3	BP Motorenschutzöl MEK 20W-20
cSt/50°C	90	126	184	230	Speherol EPL (2)	Alpha SP 220 S
E/50°C	11,9	16,6	24,3	30,4	Renolit FEP 3 / Renolit FEP 2 (2)	Mobilarma 524
SUS/100°F	690	1100	1600	2300	Mobilux EP 3	Ensis engine oil 30
BP	Energol GR-XP 150 Formulation L04021PBA	Energol GR-XP 220 Formulation L04022PBA	Energol GR-XP 320 Formulation L04023PBA	Energol GR-XP 460 Formulation L04024PBA	Alvania EP 2	Uniway Li 62
CASTROL	Alpha SP 150 Formulation L02045PBA	Alpha SP 220 Formulation L02046PBA	Alpha SP 320 Formulation L02047PBA	Alpha SP 460 Formulation L02048PBA	Multis EP 3	Rubia R 30
FUCHS EUROPE SCHMIERSTOFFE	Renolin CLP 150 Formulation 3110247	Renolin CLP 220 Formulation 3110248	Renolin CLP 320 Formulation 3110249	Renolin CLP 460 Formulation 3110250		
(EXXON)MOBIL	Mobilgear XMP 150 Formulation RLO01893E	Mobilgear XMP 220 Formulation RLO01893F	Mobilgear XMP 320 Formulation RLO01893H	Mobilgear XMP 460 Formulation RLO01893J		
SHELL	Omala F 150 Formulation 1996 (4)	Omala F 220 Formulation 1996 (4)	Omala F 320 Formulation 1996 (4)	Omala F 460 Formulation 1996 (4)		
STATOIL	LoadWay EP 150 Formulation SL970307-150	LoadWay EP 220 Formulation SL970307-220	LoadWay EP 320 Formulation SL970307-320	LoadWay EP 460 Formulation SL970307-460		
TOTAL		Carter VP/CS 220 Formulation I30419	Carter VP/CS 320 Formulation I30419	Carter VP/CS 460 Formulation I30419		

Oil and lubricant manufacturers can change product compositions.

The lubricating oils with the composition formulations mentioned in the above table have to be used.

The greases and storage oils mentioned in the above table have to be of a product composition formulation of before January 10th 2005; a confirmation from the grease or oil supplier is essential.

HANSEN TRANSMISSIONS is not responsible nor liable for composition changes. The oil and lubricant suppliers are responsible for the selection and composition of their products.

If the customer does not wish to follow HANSEN TRANSMISSIONS' oil and grease prescriptions, the customer assumes responsibility for the technical suitability of the lubricant used.

If the customer would like to use another oil in the gear unit than the oil he last filled in the gear unit, he has to consult the oil supplier regarding the compatibility of the two oils and the measures that possibly should be taken for reliable operation of the gear unit with the new oil and the possible residues and/or components of the old oil that could be present in the gear unit.

Any oil and lubricant shall be handled with care and according to the handling and safety instructions to be supplied by the lubricant supplier on customer's request. These instructions have to be handed over to any personnel performing installation, maintenance or repair of the gear unit

Footnotes referred to in the oil and lubricant table above:

- (1) only for low ambient temperatures, see nameplate of the gear unit
- (2) Use only high quality greases, with EP-additives and consistency NLGI-Grade 3. Greases with EP-additives and consistency NLGI-Grade 2 may be used for regreasable labyrinth type seals and grease lubricated lower bearing of the low speed shaft.
- (3) If the gear unit is filled with storage oil, it has to be drained and it may in some instances be necessary to rinse the gear unit with the selected oil before starting up. Check with the oil supplier.
- (4) composition formulation of the product designated by the year of its market introduction

Les fabricants des huiles et des lubrifiants peuvent changer les compositions de leurs produits à tout moment.

Les huiles de lubrification avec leurs formulations de composition ("Formulations") mentionnées dans le tableau ci-dessus doivent être utilisées.

Les graisses et les huiles antirouilles mentionnées dans le tableau ci-dessus doivent être d'une formulation de composition de produit d'avant le 10 Janvier 2005; une confirmation du fournisseur de la graisse ou de l'huile antirouille est indispensable.

HANSEN TRANSMISSIONS n'est pas responsable pour les changements de la composition. Les fournisseurs des huiles et des lubrifiants sont responsables pour la sélection et la composition de leurs produits.

Si le client ne souhaite pas suivre les prescriptions d'huile et de lubrifiant de HANSEN TRANSMISSIONS, le client porte l'entière responsabilité pour la convenance technique du lubrifiant utilisé.

Si le client souhaite utiliser une autre huile dans son réducteur ou multiplicateur que l'huile qu'il a versée dans le réducteur ou multiplicateur la dernière fois, il doit consulter le fournisseur d'huile pour contrôler la compatibilité des deux huiles et pour prendre les mesures éventuellement nécessaires pour que le réducteur ou multiplicateur puisse fonctionner avec la nouvelle huile et le résidu et/ou les composants éventuels de la vieille huile qui pourraient être présent dans le réducteur ou multiplicateur.

Toutes les huiles ou tous les lubrifiants doivent être manipulés avec précaution et suivant les instructions de manipulation et de sécurité qui seront fournis par les fournisseurs de lubrifiant à la demande du client. Ces instructions doivent être remises au personnel qui réalise l'installation, l'entretien ou la réparation du réducteur.

Notes qui sont mentionnées dans le tableau des huiles et des lubrifiants ci-dessus:

- (1) uniquement pour des températures basses, voir la plaque signalétique du réducteur
- (2) Utiliser uniquement des graisses de bonne qualité contenant des additifs "EP", ayant une consistance NLGI grade 3. Une graisse de consistance NLGI grade 2 contenant des additifs "EP" peut être utilisée pour lubrifier les garnitures à labyrinthe regraisables ou le cas échéant exclusivement le roulement inférieur de l'arbre petite vitesse.
- (3) Vidanger le réducteur s'il a été rempli d'huile antirouille. Il y a lieu dans certains cas de rincer le réducteur avec l'huile sélectionnée avant la mise en marche. Vérifier avec le fournisseur d'huile.
- (4) formulation de composition du produit indiquée par la mention de l'année de son introduction au marché

Öl- und Schmierstoffhersteller können Produktzusammensetzungen ändern.

Die Schmieröle mit den in der obenstehende Tabelle erwähnten Schmierölzusammensetzungsformulierungen ("Formulations") müssen verwendet werden.

Die in der obenstehende Tabelle erwähnten Wälzlagerfette und rostbeständigen Öle müssen einer Zusammensetzungsformulierung von vor 10 Januar 2005 sein; eine Bestätigung vom Lieferant des Fettes oder des Öls ist notwendig.

HANSEN TRANSMISSIONS haftet nicht für Zusammensetzungsveränderungen. Die Lieferanten der Öle und Schmierstoffe sind für die Auswahl und Zusammensetzung ihrer Produkte verantwortlich.

Wünscht der Kunde die Öl- und Schmierstoffvorschriften von HANSEN TRANSMISSIONS nicht zu folgen, übernimmt der Kunde die Verantwortung für die technische Eignung des Schmierstoffes.

Wünscht der Kunde das Getriebe mit einem anderen Öl zu befüllen als dem letzten von ihm verwendeten Öl, so sollte der Kunde Informationen bezüglich der Verträglichkeit beider Öle beim Öllieferanten einholen. Ebenso sollte er mit diesem Massnahmen besprechen, welche möglicherweise ergriffen werden müssen, um eine einwandfreie Funktion des Getriebes zu gewährleisten, sollten neben dem neuen Öl noch Reste und/oder Inhaltsstoffe des alten Öles im Getriebe enthalten sein.

Jedes mögliches Schmiermittel oder Öl muss angefasst werden mit Sorgfalt und entsprechend den Handlungs- und den Sicherheitsvorschriften, vom Schmiermittellieferanten auf Anfrage des Kunden zu besorgen. Diese Vorschriften müssen zu jedem möglichem Personal überreicht werden, das Aufstellung, Wartung oder Reparatur dem Zahnradgetriebe durchführt.

Fussnoten, auf welchen in der Öl- und Schmierstoffabelle (siehe oben) verwiesen wird:

- (1) nur für niedrige Temperaturen, siehe Leistungsschild auf dem Getriebe
- (2) Ausschließlich hochwertiges Fett mit Hochdruckzusätzen verwenden, dessen Zusammensetzung NLGI-Klasse 3 entspricht. Bei nachschmierbaren Labyrinthdichtungen und Anwendungen, bei denen das untere Lager der langsamdrehenden Welle mit Fett geschmiert wird, darf Fett der NLGI-Klasse 2 mit Hochdruckzusätzen verwendet werden.
- (3) Bei mit Rostschutzöl gefüllten Getrieben ist dieses Lageröl abzulassen. Die Getriebe werden vorzugsweise mit dem empfohlenen Getriebeöl gespült. Ggf. den Öllieferanten um Auskunft bitten.
- (4) Zusammensetzungsformulierung des Produkts angegeben mit der Jahreszahl ihrer Markteinführung

Olie- en smeermiddelfabrikanten kunnen productsamenstellingen veranderen.

De oliën met hun samenstellingsformulaties ("Formulations") zoals vermeld in bovenstaande tabel moeten worden gebruikt.

De vetten en roestwerende oliën uit bovenstaande tabel moeten van een samenstellingsformulatie van vóór 10 januari 2005 zijn; een bevestiging van de olie- of vetleverancier is noodzakelijk.

HANSEN TRANSMISSIONS is niet verantwoordelijk noch aansprakelijk voor samenstellingsveranderingen. De leveranciers van de smeermiddelen zijn verantwoordelijk voor de keuze en de samenstelling van hun producten.

Indien de klant de olie- en smeermiddelvoorschriften van HANSEN TRANSMISSIONS niet wenst op te volgen, neemt de klant de verantwoordelijkheid voor de technische geschiktheid van het gebruikte smeermiddel op zich.

Indien de klant een andere olie wil gebruiken in de tandwielkast dan de olie waarmee hij de tandwielkast de laatste keer gevuld heeft, dient hij de olieleverancier te raadplegen met betrekking tot de compatibiliteit van die twee oliën en voor de eventuele te nemen maatregelen om de tandwielkast goed te laten werken met de nieuwe olie en eventuele residuen en/of componenten van de oude olie die in de tandwielkast aanwezig zouden kunnen zijn.

Oliën en smeermiddelen dienen behandeld te worden met de nodige voorzorgen en volgens de handelings- en veiligheidsvoorschriften die moeten geleverd worden door de leveranciers van smeermiddelen op verzoek van de klant. Deze voorschriften moeten overhandigd worden aan het personeel dat de installatie, onderhoud of herstelling van de tandwielkast uitvoert.

Voetnoten, waarnaar verwezen in de bovenstaande tabel met oliën en smeermiddelen:

- (1) enkel voor lage temperaturen, zie kenmerkplaat op de tandwielkast.
- (2) Gebruik uitsluitend vet van goede kwaliteit met EP-additieven en met consistentie NLGI klasse 3. Bij nasmeerbare labyrintafdichtingen en bij toepassingen waar uitsluitend het onderste lager van de langzaamdraaiende as vetge-meerd wordt, kan een vet met NLGI klasse 2 met EP-additieven toegelaten worden.
- (3) Indien de tandwielkast gevuld werd met roestwerende olie dient deze te worden afgelaten. In sommige gevallen is het noodzakelijk de tandwielkast vóór inbedrijfstelling te spoelen met de te gebruiken olie. Controleer dit met de olieleverancier.
- (4) samenstellingsformulatie van het product aangegeven met het jaar van haar marktintroductie