



PENCOflex

Precision. Power. Performance.

You want a trusted name when it comes to providing engineered power transmission products that improve productivity and efficiency. Rexnord provides superior products for your industrial applications world wide. We work closely with you to reduce maintenance costs, eliminate redundant inventories and prevent equipment downtime.

Applications include:

- ▶ conveyors
- ▶ industrial fans
- ▶ crushers
- ▶ compressors

PENCOflex

Close coupled elastomeric pin and bushing coupling providing economical high torque capacity. Available with brake drum and brake disc.



Ex III 2D 120C
(Size 355 and above)

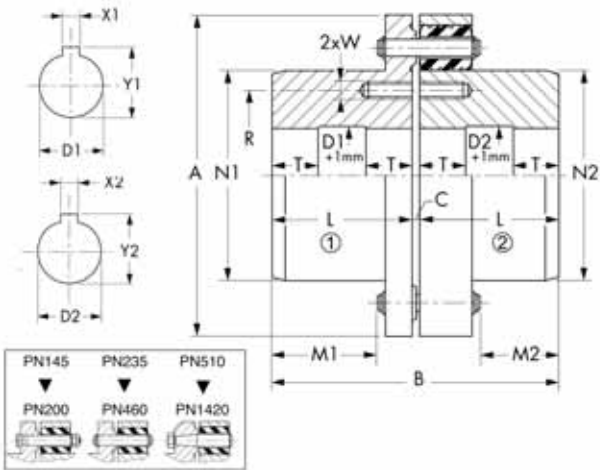
Rexnord PENCOflex

Features

- ▶ Loaded in compression
- ▶ Fail safe design
- ▶ No lubrication required

Benefits

- ▶ High torque
- ▶ Continued operation
- ▶ Maintenance free



| Torque Demands Driven Machine | Typical Application for Electric Motor or Turbine Driven Equipment | Typical Service Factor |
|-------------------------------|---|-----------------------------|
| | Constant torque such as centrifugal pumps blowers and compressors | 1.0 |
| | Continuous duty with some torque variations including plastic extruders and forced draft fans | 1.3 |
| | Light shock loads from metal extruders, cooling towers and log haulers | 1.5 |
| | Moderate shock loading as expected from a car dumper, stone crusher, vibrating screen | 2.0 |
| | Heavy shock load with some negative torques from reciprocating pumps, compressors, reversing turnout tables | 2.5 |
| | Frequent torque reversals such as reciprocating compressors with frequent torque reversals which do not necessarily include reverse rotations | Consult Rexnord Engineering |

| A Size | Tn Nm | n-max min ⁻¹ | D1/D2 min | | D1 max | | D2 max | | B | C | L | M1 | M2 | N1 | | N2 | | T | R | W | J kgm ² | m kg |
|--------|---------|-------------------------|-----------|-----|--------|-----|--------|-----|------|----|-----|-----|-----|-----|-----|-----|-----|-----|-----|-----|--------------------|-------|
| | | | S | L | S | L | S | L | | | | | | S | L | | | | | | | |
| 145 | 250 | 4 700 | - | 19 | - | 60 | - | 55 | 114 | 4 | 55 | 36 | 17 | - | 93 | - | 88 | - | 75 | M8 | 0,016 | 8 |
| 155 | 400 | 4 400 | - | 19 | - | 65 | - | 60 | 124 | 4 | 60 | 41 | 22 | - | 100 | - | 95 | - | 80 | M8 | 0,021 | 9 |
| 175 | 630 | 3 900 | - | 28 | - | 75 | - | 75 | 154 | 4 | 75 | 56 | 37 | - | 116 | - | 116 | - | 95 | M10 | 0,04 | 14 |
| 200 | 1 000 | 3 400 | - | 35 | - | 85 | - | 80 | 184 | 4 | 90 | 71 | 52 | - | 132 | - | 127 | - | 105 | M10 | 0,071 | 21 |
| 235 | 1 600 | 2 900 | - | 35 | - | 95 | - | 90 | 204 | 4 | 100 | 65 | 48 | - | 147 | - | 142 | - | 120 | M12 | 0,175 | 34 |
| 245 | 2 500 | 2 800 | - | 35 | - | 110 | - | 100 | 224 | 4 | 110 | 75 | 58 | - | 170 | - | 160 | - | 135 | M12 | 0,235 | 42 |
| 280 | 3 900 | 2 450 | 35 | 85 | 85 | 125 | 85 | 110 | 264 | 4 | 130 | 95 | 78 | 155 | 195 | 155 | 180 | - | 145 | M12 | 0,34 | 50 |
| 315 | 6 100 | 2 200 | 45 | 100 | 100 | 140 | 100 | 125 | 304 | 4 | 150 | 115 | 98 | 180 | 217 | 180 | 202 | - | 165 | M12 | 0,59 | 71 |
| 355 | 9 300 | 1 950 | 75 | 120 | 120 | 160 | 120 | 140 | 366 | 6 | 180 | 129 | 108 | 210 | 248 | 210 | 228 | - | 190 | M16 | 1,33 | 119 |
| 385 | 14 000 | 1 800 | 85 | 130 | 130 | 180 | 130 | 160 | 406 | 6 | 200 | 149 | 128 | 230 | 280 | 230 | 256 | - | 220 | M16 | 1,95 | 150 |
| 460 | 21 000 | 1 500 | 95 | 140 | 160 | 200 | 160 | 200 | 446 | 6 | 220 | 169 | 148 | 250 | 290 | 250 | 290 | - | 232 | M20 | 3,65 | 210 |
| 510 | 31 000 | 1 350 | 110 | 160 | 180 | 220 | 180 | 220 | 487 | 7 | 240 | 162 | 144 | 280 | 320 | 280 | 320 | 80 | 260 | M20 | 7,6 | 310 |
| 575 | 45 000 | 1 200 | 125 | 160 | 190 | 230 | 190 | 230 | 527 | 7 | 260 | 182 | 164 | 290 | 330 | 290 | 330 | 85 | 300 | M24 | 11,8 | 385 |
| 670 | 65 000 | 1 000 | 140 | 180 | 210 | 260 | 210 | 260 | 587 | 7 | 290 | 212 | 194 | 325 | 365 | 325 | 365 | 95 | 320 | M24 | 21,5 | 540 |
| 725 | 94 000 | 950 | 160 | 210 | 240 | 290 | 240 | 290 | 669 | 9 | 330 | 221 | 201 | 370 | 410 | 370 | 410 | 110 | 350 | M24 | 41 | 810 |
| 850 | 140 000 | 800 | 180 | 230 | 260 | 320 | 260 | 320 | 729 | 9 | 360 | 251 | 231 | 405 | 455 | 405 | 455 | 120 | 390 | M30 | 75 | 1 110 |
| 990 | 200 000 | 700 | 200 | 280 | 310 | 360 | 310 | 360 | 829 | 9 | 410 | 301 | 281 | 480 | 520 | 480 | 520 | 135 | 430 | M30 | 141 | 1 640 |
| 1 060 | 285 000 | 650 | 230 | 320 | 350 | 400 | 350 | 400 | 911 | 11 | 450 | 298 | 275 | 540 | 580 | 540 | 580 | 150 | 470 | M30 | 250 | 2 380 |
| 1 220 | 410 000 | 550 | 260 | 360 | 390 | 440 | 390 | 440 | 1011 | 11 | 500 | 348 | 325 | 600 | 640 | 600 | 640 | 165 | 515 | M36 | 440 | 3 210 |
| 1 420 | 600 000 | 480 | 300 | 400 | 430 | 480 | 430 | 480 | 1131 | 11 | 560 | 408 | 385 | 665 | 705 | 665 | 705 | 185 | 560 | M36 | 800 | 4 350 |



REXNORD NV, Belgium

Dellingstraat 55

2800 Mechelen

Phone: +32 / 70 22 33 66

Fax: +32 / 70 22 33 67

E-mail: Customerservice.Belgium@rexnord.com

www.rexnord.eu

Contact